

**EDI-Recommendations
of GS1 Germany
Version 9.3
GS1 DE All**

Price/Sales Catalogue
(PRICAT)

EANCOM 2002 Syntax 3

| | |
|------------------------|-----|
| Introduction..... | 2 |
| Business Terms..... | 5 |
| Branching Diagram..... | 11 |
| Message Structure..... | 25 |
| Segmentlayout..... | 28 |
| Codes..... | 131 |
| Example..... | 266 |

Einführung

Introduction

The aim of the brochure on hand is to offer documentation describing the exchange of article master data between business partners.

The basis of this elaboration is the international standard EANCOM® 2002. The message type PRICAT 009 is used to transmit relevant data. GEFEG.FX (Gefeg mbH, Berlin) was used as the documentation tool.

Please be aware to know that this booklet does not replace the complete specifications in the original chapters or other relevant instructions within the EANCOM® 2002 documentation. Instead, it deals with the description of segments, data elements and codes to be used for a specific task.

The current documentation has been produced by the GS1 Germany GmbH in Cologne. GS1 Germany assumes no liability for any damages incurring from the use of this documentation. This brochure or extracts thereof may only be published or forwarded to third parties with the express written consent of GS1 Germany, which holds copyright on this work.

Important note

To fulfill the requirements of directive 2003/58/EG, article 4, C058 has been opened in NAD segments identifying a message sender. If the place in the 5 DE 3124 is not sufficient, the following RFF segments can be used, qualified with DE 1153 = GN. DE 1154 has got a capacity of 70 digits. Only in those cases, when no RFF segment follows NAD, a RFF+GN can be used in the heading section of the message. Within the EDI recommendations of GS! Germany this is only applicable for the messages REMADV and SLSFCT.

This brochure offers different ways to start

Introduction

"Introduction" contains a short description of the respective message.

BusinessTerms

"Business Terms", is a table which links directly to the sequence numbers of the segments.

Diagram

"Diagram", is a hierarchical graphic depiction of all used segments in the same sequence as they are defined in the EANCOM® message. However, every segment is shown only once, and it is therefore possible that the sequence numbering is interrupted.

Structure

"Structure", is a list of all used segments in the same sequence as they are defined in the EANCOM® message. In general, for each piece of information one single segment is provided. Exeptions may arise when the the occurrence of a segment is limited and can contain alternative information (e.g., segment BGM).

Segmentlayout

"Segmentlayout", an illustration that has been chosen to match the business terms (data from the inhouse application) with the elements from the EANCOM® syntax.

Codes

"Codes" contains a list of the codes used in the message.

Einführung

Examples

"Examples", provides at least one message example with comments. Please note that, for technical reasons, the examples can contain component data element separators, which would otherwise be represented as data element separators in the original messages.

Print

"Print" opens the PDF documentation for the corresponding message.

General

Master data is stored in databases in order to reference it in subsequent business processes, as important core processes such as orders, inventory management and invoice processing can only be achieved efficiently with high-quality master data.

For this purpose, companies can participate in the central article master data exchange via atrify in Germany and, internationally, in the GDSN (Global Data Synchronisation Network). These are recommended as best practice according to ECR (Efficient Consumer Response).

Via GEPIR (www.gs1-germany.de), companies can achieve further rationalization effects in the area of master data maintenance and research.

atrify

atrify GmbH (www.atrify.com) is a leading provider of integrated data management solutions for trade and industry.

With expertise in the areas of Global Data Synchronization (GDS), Product Information Management (PIM) atrify enables companies from trade and industry to efficiently map and implement core processes in the management of productmaster data.

The data pool services of atrify enable the professional exchange of item master data based on international GDSN standards. Using atrify's data pool, electronic data traffic is streamlined by enabling companies to exchange their item master data multilaterally rather than bilaterally. Manufacturers transmit their master data to atrify once. Forwarding to all relevant retailers takes place automatically. In addition, atrify checks the data for quality and thus excludes complaints due to incorrect master data.

GDSN Certificate

atrify is certified by the official organization GS1 Global Registry Inc. to use the Global Data Synchronisation Network (GDSN).

GDSN is an international network of standard-compatible data pools and enables the cross-national distribution of master data. Thus, atrify opens the way to international data exchange for all manufacturers and dealers. Users of atrify receive all services from a single source and do not have to conclude contracts with additional local data pools.

Global data exchange

Einführung

In addition to the global orientation of the data pool, atrify offers its customers further services. Through the integrated solution portfolio of data pool, product information management and EDI, the complete process chain from the manufacturer to the retail systems can be covered.

The added values: Beyond the management of pure article master data, structured and unstructured data and content such as multimedia information can be stored, modified and transmitted on an end-to-end platform.

Business Terms

| Business Term | EANCOM-Segment | | Data Element | |
|----------------------------------|-----------------------|---------------------------------|---------------------|------|
| | Seg.-No. | Segment SG | DEG | DE |
| Acknowledgement request | 2 | UNB | | 0031 |
| Additional GTIN.Status R | 23 | PIA SG17#1\SG36#1 | C212 | 7140 |
| Address for reverse routing | 2 | UNB | S002 | 0008 |
| Address in the internet | 96 | COM SG17#1\SG36#1\SG51#1 | C076 | 3148 |
| Allowance in %, article | 87 | PCD SG17#1\SG36#1\SG41#1\SG43#1 | C501 | 5482 |
| Allowance in %, grouping | 16 | PCD SG17#1\SG21#1\SG23#1 | C501 | 5482 |
| Amount of allowance, article | 89 | MOA SG17#1\SG36#1\SG41#1\SG44#1 | C516 | 5004 |
| Amount of allowance, grouping | 18 | MOA SG17#1\SG21#1\SG24#1 | C516 | 5004 |
| Application reference | 2 | UNB | | 0026 |
| Article long description | 33 | IMD SG17#1\SG36#1 | C273 | 7008 |
| Article long description | 42 | IMD SG17#1\SG36#1 | C273 | 7009 |
| Articles promotional variant | 24 | PIA SG17#1\SG36#1 | C212 | 7140 |
| Attribute of generation | 20 | LIN SG17#1\SG36#1 | | 1229 |
| Availability, (detail section) | 60 | DTM SG17#1\SG36#1 | C507 | 2380 |
| Batch number | 24 | PIA SG17#1\SG36#1 | C212 | 7140 |
| Brandname | 35 | IMD SG17#1\SG36#1 | C273 | 7008 |
| Character set | 2 | UNB | S001 | 0001 |
| Class of goods | 26 | PIA SG17#1\SG36#1 | C212 | 7140 |
| Class of goods MVB | 25 | PIA SG17#1\SG36#1 | C212 | 7140 |
| Class of goods supplier | 27 | PIA SG17#1\SG36#1 | C212 | 7140 |
| Clothes hanger type | 94 | PAC SG17#1\SG36#1\SG47#4 | C202 | 7064 |
| Code list name | 12 | PGI SG17#1 | C288 | 1131 |
| Colour | 39 | IMD SG17#1\SG36#1 | C273 | 7008 |
| Colour, identifier | 39 | IMD SG17#1\SG36#1 | C273 | 7009 |
| Component data element separator | 1 | UNA | | UNA1 |
| Consumer unit, yes/no | 46 | IMD SG17#1\SG36#1 | C273 | 7009 |

Business Terms

| Business Term | EANCOM-Segment | | Data Element | |
|--|-----------------------|--------------------------|---------------------|------|
| | Seg.-No. | Segment SG | DEG | DE |
| Correct fit | 41 | IMD SG17#1\SG36#1 | C273 | 7008 |
| County of origin | 57 | ALI SG17#1\SG36#1 | | 3239 |
| Creation date | 5 | DTM | C507 | 2380 |
| Currency code | 11 | CUX SG6#1 | C504 | 6345 |
| Currency code | 73 | CUX SG17#1\SG36#1\SG40#3 | C504 | 6345 |
| Currency code | 76 | CUX SG17#1\SG36#1\SG40#4 | C504 | 6345 |
| Currency code | 79 | CUX SG17#1\SG36#1\SG40#5 | C504 | 6345 |
| Data element separator | 1 | UNA | | UNA2 |
| Decimal notation | 1 | UNA | | UNA3 |
| Delivery period, (detail section) | 63 | DTM SG17#1\SG36#1 | C507 | 2380 |
| Delivery unit, yes/no | 44 | IMD SG17#1\SG36#1 | C273 | 7009 |
| Description for check out at POS | 38 | IMD SG17#1\SG36#1 | C273 | 7008 |
| Display | 48 | IMD SG17#1\SG36#1 | C273 | 7009 |
| EANCOM | 2 | UNB | | 0032 |
| Earliest order date, (detail section) | 62 | DTM SG17#1\SG36#1 | C507 | 2380 |
| Earliest sale date, (detail section) | 61 | DTM SG17#1\SG36#1 | C507 | 2380 |
| End of the transmission file, Number of messages or message groups | 100 | UNZ | | 0036 |
| File creation date | 2 | UNB | S004 | 0017 |
| File creation time | 2 | UNB | S004 | 0019 |
| Fixed Retail price | 72 | PRI SG17#1\SG36#1\SG40#3 | C509 | 5118 |
| Format of file | 95 | EFI SG17#1\SG36#1\SG51#1 | C099 | 1516 |
| Gross weight | 52 | MEA SG17#1\SG36#1 | C174 | 6314 |
| GTIN | 20 | LIN SG17#1\SG36#1 | C212 | 7140 |
| GTIN | 97 | HYN SG17#1\SG36#1\SG56#1 | C212 | 7140 |
| Harmonised system | 24 | PIA SG17#1\SG36#1 | C212 | 7140 |
| Identification of receiver | 9 | NAD SG2#2 | C082 | 3039 |
| Identification of supplier | 7 | NAD SG2#1 | C082 | 3039 |
| Incremental order quantity | 54 | QTY SG17#1\SG36#1 | C186 | 6060 |

Business Terms

| Business Term | EANCOM-Segment | | Data Element | |
|--|-----------------------|--------------------------|---------------------|------|
| | Seg.-No. | Segment SG | DEG | DE |
| Indentification of the receiver of the transmission file | 2 | UNB | S003 | 0010 |
| Indentification of the sender of the transmission file | 2 | UNB | S002 | 0004 |
| Interchange control reference, beginnig | 2 | UNB | | 0020 |
| Interchange control reference, end | 100 | UNZ | | 0020 |
| Line item number | 20 | LIN SG17#1\SG36#1 | | 1082 |
| Marked with barcode | 92 | PAC SG17#1\SG36#1\SG47#2 | C531 | 7233 |
| Marked with price | 91 | PAC SG17#1\SG36#1\SG47#1 | C531 | 7233 |
| Material information | 65 | CCI SG17#1\SG36#1\SG37#1 | C240 | 7037 |
| Material, Code | 66 | CAV SG17#1\SG36#1\SG37#1 | C889 | 7111 |
| Material, percentage | 67 | MEA SG17#1\SG36#1\SG37#1 | C174 | 6314 |
| Material, Text | 66 | CAV SG17#1\SG36#1\SG37#1 | C889 | 7110 |
| Measurements | 50 | MEA SG17#1\SG36#1 | C174 | 6314 |
| Message reference number | 3 | UNH | | 0062 |
| Model number | 24 | PIA SG17#1\SG36#1 | C212 | 7140 |
| Name of article | 32 | IMD SG17#1\SG36#1 | C273 | 7008 |
| Name of file | 95 | EFI SG17#1\SG36#1\SG51#1 | C077 | 1508 |
| Name of grouping, code | 12 | PGI SG17#1 | C288 | 5389 |
| Net weight | 51 | MEA SG17#1\SG36#1 | C174 | 6314 |
| NOS article, yes/no | 47 | IMD SG17#1\SG36#1 | C273 | 7009 |
| Not subject to automated processes | 58 | ALI SG17#1\SG36#1 | | 4183 |
| Not subject to bonus | 56 | ALI SG17#1\SG36#1 | | 4183 |
| Number of segments within a message | 99 | UNT | | 0074 |
| Ordering unit, yes/no | 43 | IMD SG17#1\SG36#1 | C273 | 7009 |
| Password interchange | 2 | UNB | S005 | 0022 |
| Place of sale, code | 74 | LOC SG17#1\SG36#1\SG40#3 | C517 | 3225 |
| Place of sale, code | 77 | LOC SG17#1\SG36#1\SG40#4 | C517 | 3225 |

Business Terms

| Business Term | EANCOM-Segment | | Data Element | |
|--|----------------|---------------------------------|--------------|------|
| | Seg.-No. | Segment SG | DEG | DE |
| Place of sale, code | 83 | LOC SG17#1\SG36#1\SG40#5 | C517 | 3225 |
| Preceding article: GTIN | 30 | PIA SG17#1\SG36#1 | C212 | 7140 |
| Preceding article: Suppliers internal article number | 31 | PIA SG17#1\SG36#1 | C212 | 7140 |
| Price list number | 4 | BGM | C106 | 1004 |
| Quantity | 98 | QTY SG17#1\SG36#1\SG56#1 | C186 | 6060 |
| Quantity of allowance, article | 85 | QTY SG17#1\SG36#1\SG41#1\SG42#1 | C186 | 6060 |
| Quantity of allowance, grouping | 14 | QTY SG17#1\SG21#1\SG22#1 | C186 | 6060 |
| Range maximum value | 15 | RNG SG17#1\SG21#1\SG22#1 | C280 | 6152 |
| Range maximum value | 17 | RNG SG17#1\SG21#1\SG23#1 | C280 | 6152 |
| Range maximum value | 19 | RNG SG17#1\SG21#1\SG24#1 | C280 | 6152 |
| Range maximum value | 70 | RNG SG17#1\SG36#1\SG40#1 | C280 | 6152 |
| Range maximum value | 86 | RNG SG17#1\SG36#1\SG41#1\SG42#1 | C280 | 6152 |
| Range maximum value | 88 | RNG SG17#1\SG36#1\SG41#1\SG43#1 | C280 | 6152 |
| Range maximum value | 90 | RNG SG17#1\SG36#1\SG41#1\SG44#1 | C280 | 6152 |
| Range minimum value | 15 | RNG SG17#1\SG21#1\SG22#1 | C280 | 6162 |
| Range minimum value | 17 | RNG SG17#1\SG21#1\SG23#1 | C280 | 6162 |
| Range minimum value | 19 | RNG SG17#1\SG21#1\SG24#1 | C280 | 6162 |
| Range minimum value | 70 | RNG SG17#1\SG36#1\SG40#1 | C280 | 6162 |
| Range minimum value | 86 | RNG SG17#1\SG36#1\SG41#1\SG42#1 | C280 | 6162 |
| Range minimum value | 88 | RNG SG17#1\SG36#1\SG41#1\SG43#1 | C280 | 6162 |
| Range minimum value | 90 | RNG SG17#1\SG36#1\SG41#1\SG44#1 | C280 | 6162 |
| Reason qualifier | 64 | FTX SG17#1\SG36#1 | C107 | 4441 |

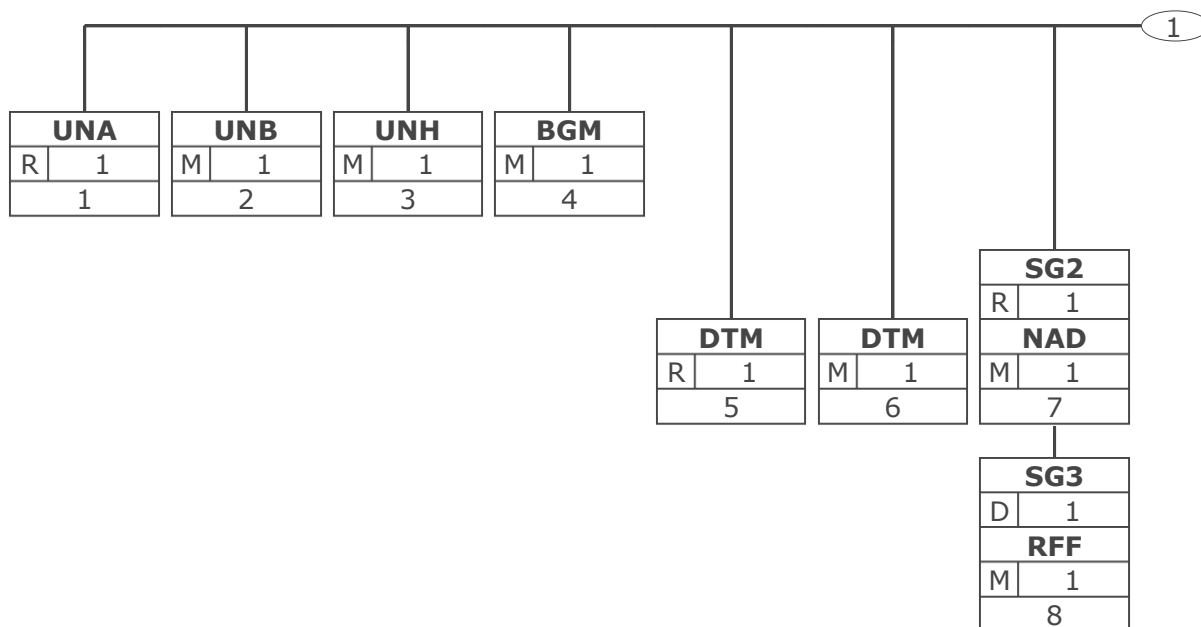
Business Terms

| Business Term | EANCOM-Segment | | Data Element | |
|--|-----------------------|--------------------------|---------------------|------|
| | Seg.-No. | Segment SG | DEG | DE |
| Reduced Price | 80 | APR SG17#1\SG36#1\SG40#5 | C960 | 4295 |
| Reduced Retail price | 78 | PRI SG17#1\SG36#1\SG40#5 | C509 | 5118 |
| Release character | 1 | UNA | | UNA4 |
| Replacement: GTIN | 28 | PIA SG17#1\SG36#1 | C212 | 7140 |
| Replacement: Suppliers internal article number | 29 | PIA SG17#1\SG36#1 | C212 | 7140 |
| Reserved for future use | 1 | UNA | | UNA5 |
| Retail price | 75 | PRI SG17#1\SG36#1\SG40#4 | C509 | 5118 |
| Returnability no | 55 | ALI SG17#1\SG36#1 | | 4183 |
| Routing address | 2 | UNB | S003 | 0014 |
| Season parameter | 49 | IMD SG17#1\SG36#1 | C273 | 7009 |
| Segment terminator | 1 | UNA | | UNA6 |
| Single price per invoiced unit gross | 71 | PRI SG17#1\SG36#1\SG40#2 | C509 | 5118 |
| Single price per invoiced unit net | 69 | PRI SG17#1\SG36#1\SG40#1 | C509 | 5118 |
| Size, description | 40 | IMD SG17#1\SG36#1 | C273 | 7008 |
| Size, identifier | 40 | IMD SG17#1\SG36#1 | C273 | 7009 |
| Smallest Order Quantity | 53 | QTY SG17#1\SG36#1 | C186 | 6060 |
| Smallest unit, yes/no | 45 | IMD SG17#1\SG36#1 | C273 | 7009 |
| Statements on business letters | 8 | RFF SG2#1\SG3#1 | C506 | 1154 |
| Suppliers acticle number | 21 | PIA SG17#1\SG36#1 | C212 | 7140 |
| Suppliers article number (secondary indent.) | 22 | PIA SG17#1\SG36#1 | C212 | 7140 |
| Syntax version | 2 | UNB | S001 | 0002 |
| Test indicator | 2 | UNB | | 0035 |
| Text on the sales slip | 34 | IMD SG17#1\SG36#1 | C273 | 7008 |
| Topic 7 programme | 36 | IMD SG17#1\SG36#1 | C273 | 7008 |
| Type description | 37 | IMD SG17#1\SG36#1 | C273 | 7008 |
| Type of allowance or charge, article | 84 | ALC SG17#1\SG36#1\SG41#1 | C552 | 1230 |
| Type of allowance or charge, grouping | 13 | ALC SG17#1\SG21#1 | C552 | 1230 |
| Type of package | 93 | PAC SG17#1\SG36#1\SG47#3 | C202 | 7065 |

Business Terms

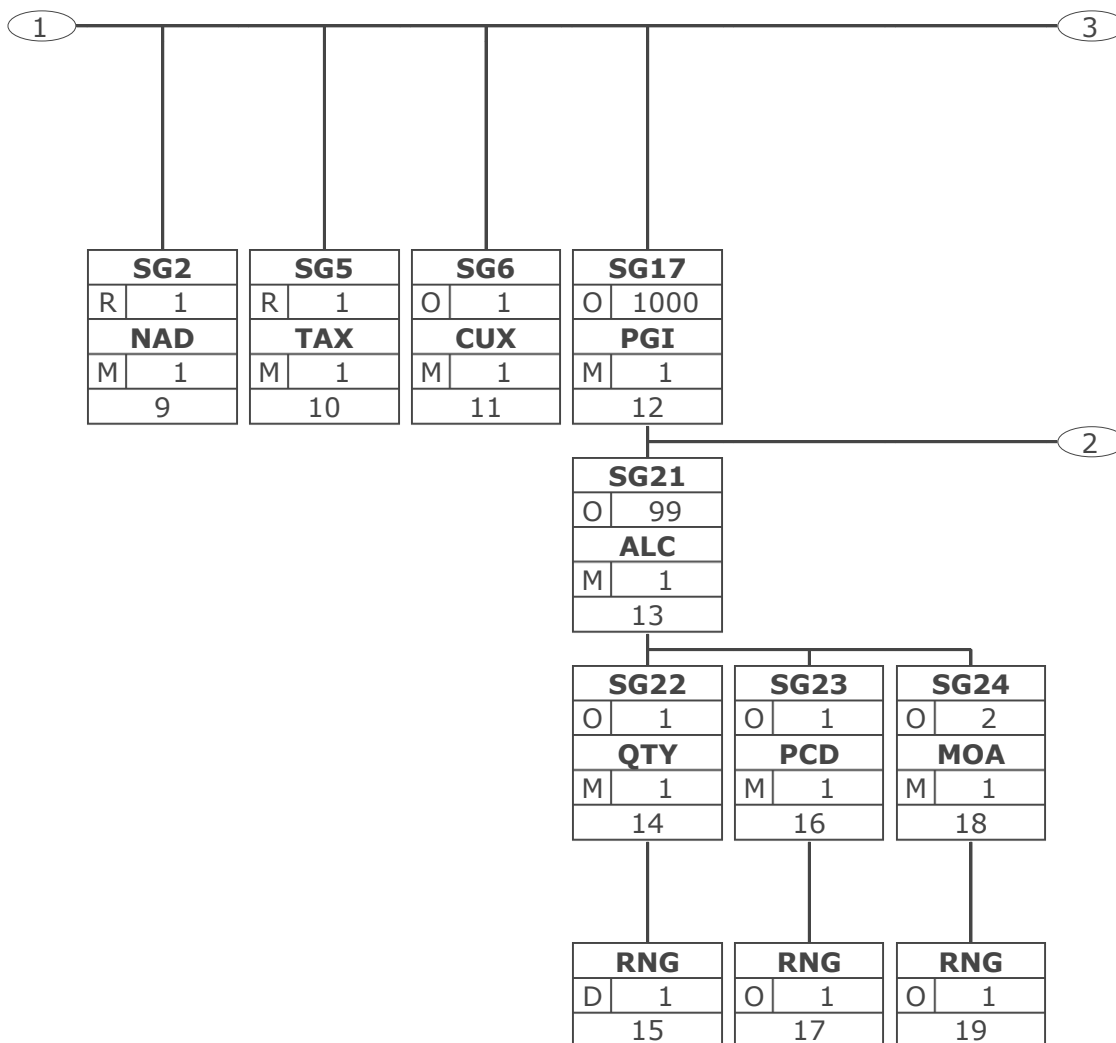
| Business Term | EANCOM-Segment | | Data Element | |
|---------------------------------|-----------------------|--------------------------|---------------------|------|
| | Seg.-No. | Segment SG | DEG | DE |
| Validity, end | 82 | DTM SG17#1\SG36#1\SG40#5 | C507 | 2380 |
| Validity, start | 81 | DTM SG17#1\SG36#1\SG40#5 | C507 | 2380 |
| Validity, start date | 6 | DTM | C507 | 2380 |
| Validity, start date | 59 | DTM SG17#1\SG36#1 | C507 | 2380 |
| Value added tax on header level | 10 | TAX SG5#1 | C241 | 5153 |
| Value added tax on line level | 68 | TAX SG17#1\SG36#1\SG38#1 | C241 | 5153 |

Branching Diagram



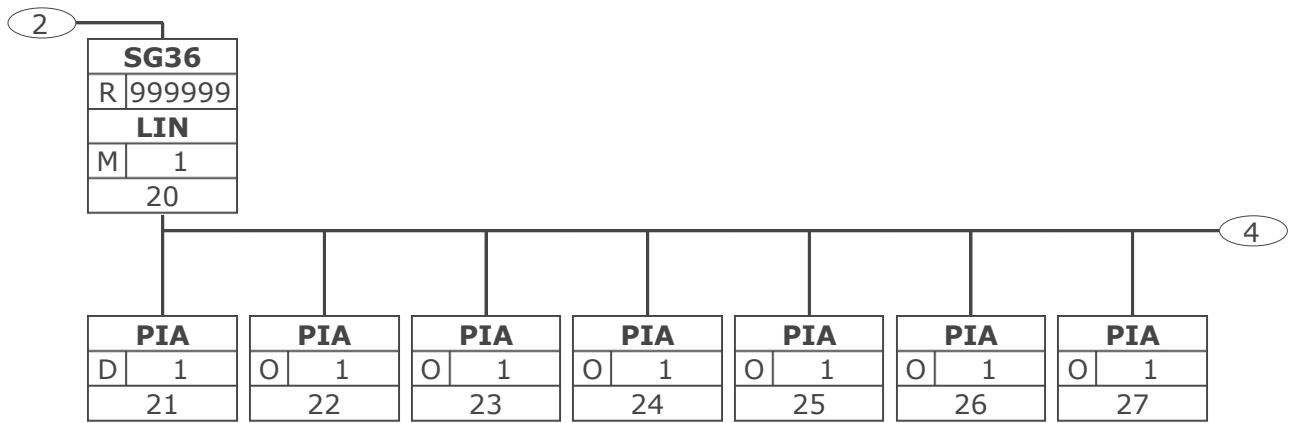
| | |
|-------------|--|
| Tag | Tag = Segment/Group Tag |
| St MaxOcc | St = Status (M=Mandatory, C=Conditional, R=Required, O=Optional, A=Advised, D=Dependent) |
| No | MaxOcc = Maximum occurrence of the segment/group; No = Consecutive segment number |

Branching Diagram



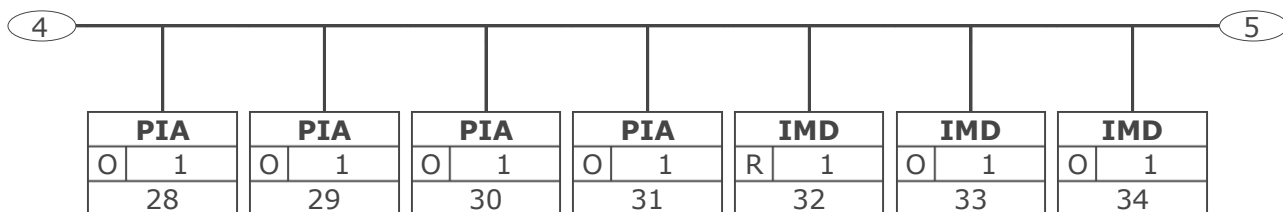
| | | |
|-----|-------------------------|--|
| Tag | Tag = Segment/Group Tag | |
| St | MaxOcc | St = Status (M=Mandatory, C=Conditional, R=Required, O=Optional, A=Advised, D=Dependent) |
| No | MaxOcc | MaxOcc = Maximum occurrence of the segment/group; No = Consecutive segment number |

Branching Diagram



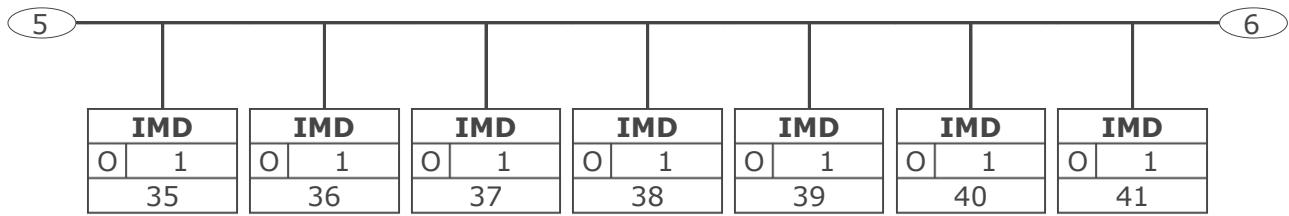
| | |
|-------------|--|
| Tag | Tag = Segment/Group Tag |
| St MaxOcc | St = Status (M=Mandatory, C=Conditional, R=Required, O=Optional, A=Advised, D=Dependent) |
| No | MaxOcc = Maximum occurrence of the segment/group; No = Consecutive segment number |

Branching Diagram



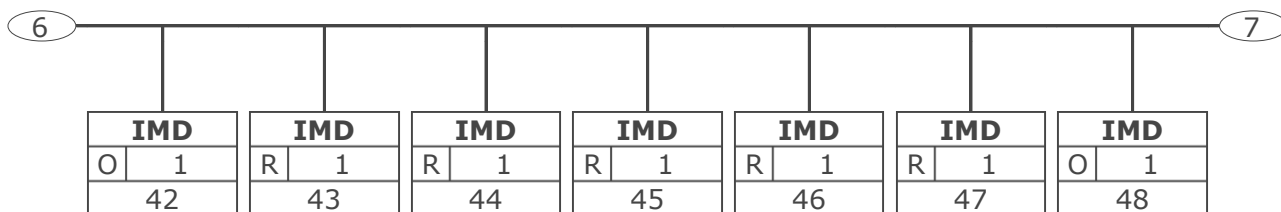
| | |
|-------------|--|
| Tag | Tag = Segment/Group Tag |
| St MaxOcc | St = Status (M=Mandatory, C=Conditional, R=Required, O=Optional, A=Advised, D=Dependent) |
| No | MaxOcc = Maximum occurrence of the segment/group; No = Consecutive segment number |

Branching Diagram



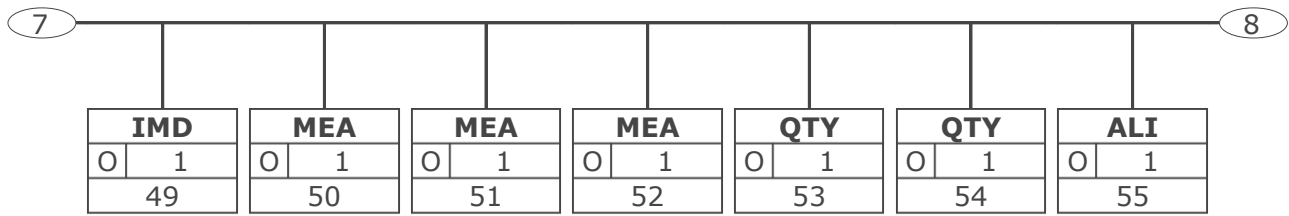
| | |
|-----|--|
| Tag | Tag = Segment/Group Tag |
| St | St = Status (M=Mandatory, C=Conditional, R=Required, O=Optional, A=Advised, D=Dependent) |
| No | MaxOcc = Maximum occurrence of the segment/group; No = Consecutive segment number |

Branching Diagram



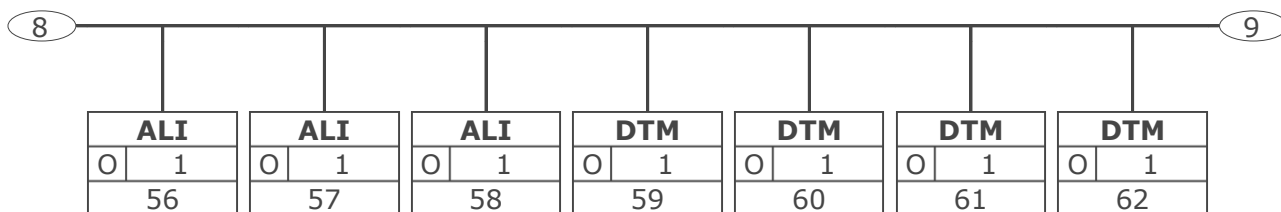
| | |
|-------------|--|
| Tag | Tag = Segment/Group Tag |
| St MaxOcc | St = Status (M=Mandatory, C=Conditional, R=Required, O=Optional, A=Advised, D=Dependent) |
| No | MaxOcc = Maximum occurrence of the segment/group; No = Consecutive segment number |

Branching Diagram



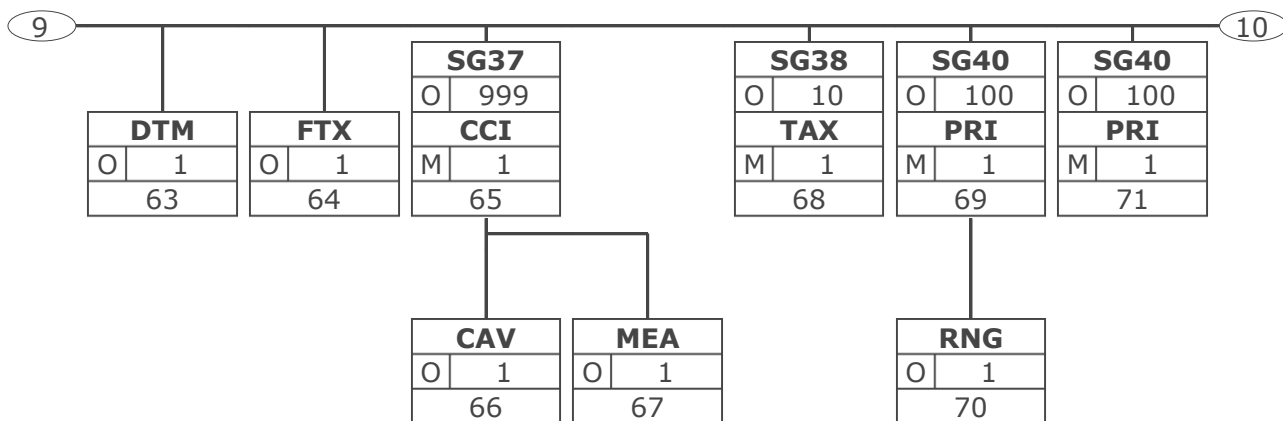
| | |
|-------------|--|
| Tag | Tag = Segment/Group Tag |
| St MaxOcc | St = Status (M=Mandatory, C=Conditional, R=Required, O=Optional, A=Advised, D=Dependent) |
| No | MaxOcc = Maximum occurrence of the segment/group; No = Consecutive segment number |

Branching Diagram



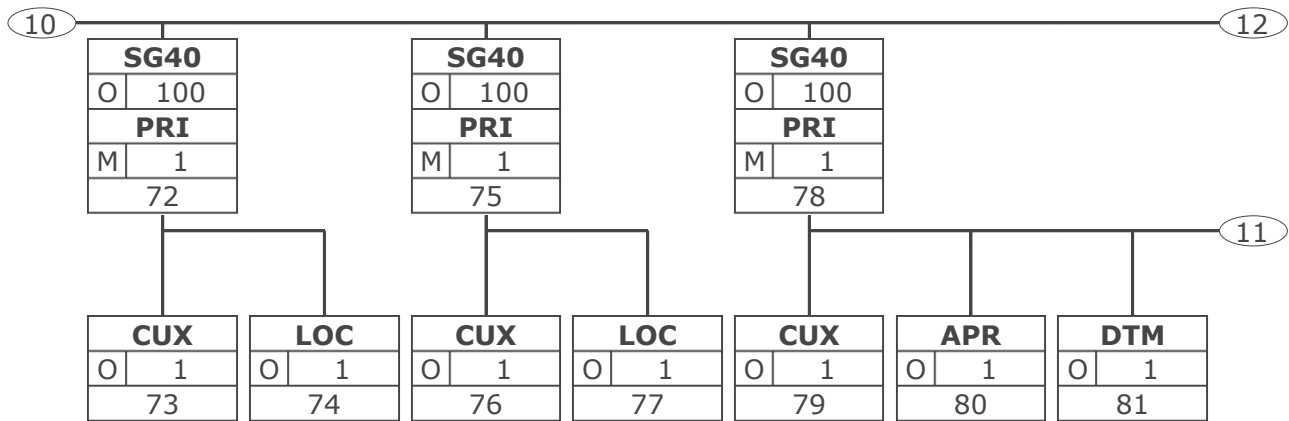
| | |
|-----|--|
| Tag | Tag = Segment/Group Tag |
| St | St = Status (M=Mandatory, C=Conditional, R=Required, O=Optional, A=Advised, D=Dependent) |
| No | MaxOcc = Maximum occurrence of the segment/group; No = Consecutive segment number |

Branching Diagram



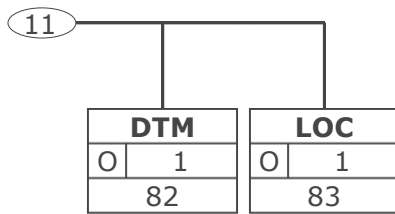
| | | |
|-----|---|--|
| Tag | Tag = Segment/Group Tag | |
| St | MaxOcc | St = Status (M=Mandatory, C=Conditional, R=Required, O=Optional, A=Advised, D=Dependent) |
| No | MaxOcc = Maximum occurrence of the segment/group; No = Consecutive segment number | |

Branching Diagram



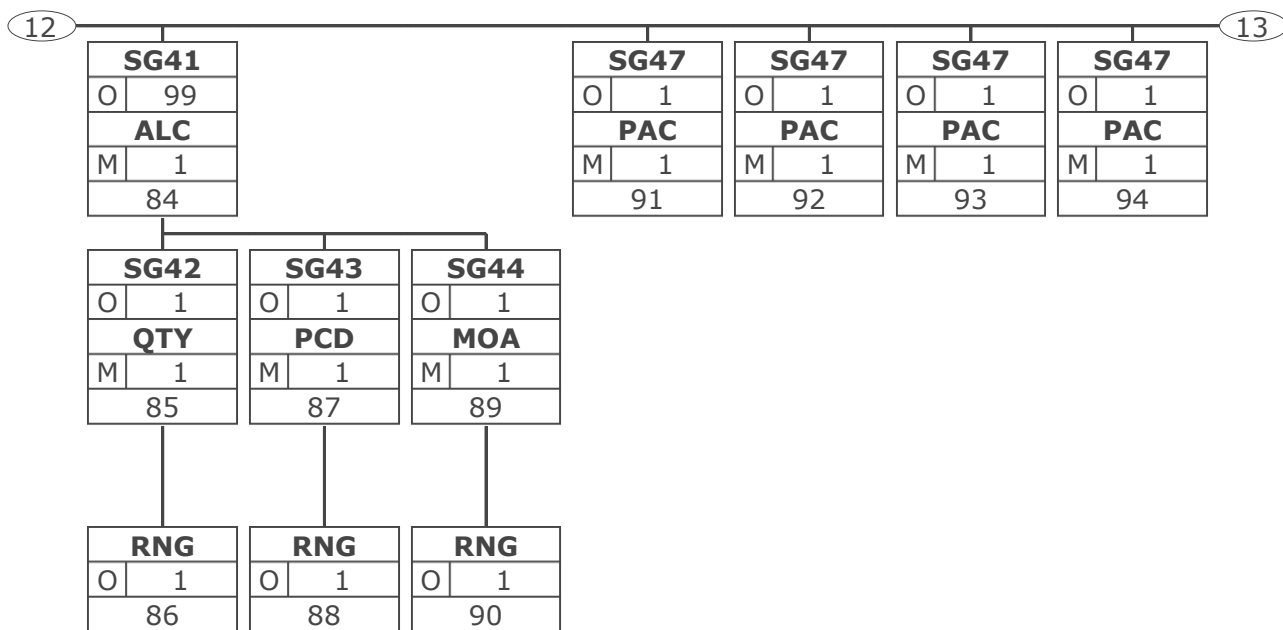
| | |
|-------------|--|
| Tag | Tag = Segment/Group Tag |
| St MaxOcc | St = Status (M=Mandatory, C=Conditional, R=Required, O=Optional, A=Advised, D=Dependent) |
| No | MaxOcc = Maximum occurrence of the segment/group; No = Consecutive segment number |

Branching Diagram



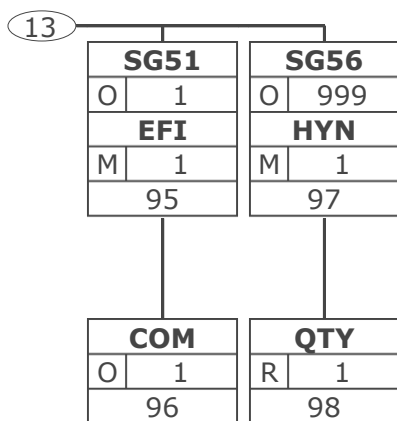
| | |
|-----|---|
| Tag | Tag = Segment/Group Tag |
| St | MaxOcc St = Status (M=Mandatory, C=Conditional, R=Required, O=Optional, A=Advised, D=Dependent) |
| No | MaxOcc = Maximum occurrence of the segment/group; No = Consecutive segment number |

Branching Diagram



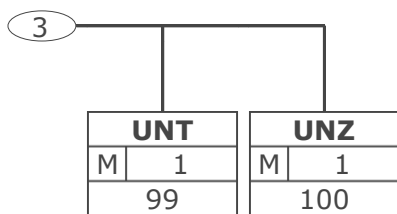
| | |
|-------------|--|
| Tag | Tag = Segment/Group Tag |
| St MaxOcc | St = Status (M=Mandatory, C=Conditional, R=Required, O=Optional, A=Advised, D=Dependent) |
| No | MaxOcc = Maximum occurrence of the segment/group; No = Consecutive segment number |

Branching Diagram



| | |
|-----|---|
| Tag | Tag = Segment/Group Tag |
| St | MaxOcc St = Status (M=Mandatory, C=Conditional, R=Required, O=Optional, A=Advised, D=Dependent) |
| No | MaxOcc = Maximum occurrence of the segment/group; No = Consecutive segment number |

Branching Diagram



| | |
|-------------|--|
| Tag | Tag = Segment/Group Tag |
| St MaxOcc | St = Status (M=Mandatory, C=Conditional, R=Required, O=Optional, A=Advised, D=Dependent) |
| No | MaxOcc = Maximum occurrence of the segment/group; No = Consecutive segment number |

Message Structure

| Seg. | No. | Status | Max Occ | Segment |
|--|-----|--------|---------|--|
| UNA | 1 | R | 1 | Used character set |
| UNB | 2 | M | 1 | Beginning of transmission file |
| Price/Sales Catalogue Heading Section | | | | |
| UNH | 3 | M | 1 | Beginning of message |
| BGM | 4 | M | 1 | Document number |
| DTM | 5 | R | 1 | Creation date |
| DTM | 6 | M | 1 | Validity, start date |
| SG2 | | R | 1 | NAD-SG3-SG4 |
| NAD | 7 | M | 1 | Identification of supplier |
| SG3 | | D | 1 | RFF |
| RFF | 8 | M | 1 | Statements on business letters |
| SG2 | | R | 1 | NAD-SG3-SG4 |
| NAD | 9 | M | 1 | Identification of buyer/ Addressee of the price list |
| SG5 | | R | 1 | TAX |
| TAX | 10 | M | 1 | Value added tax on heading level |
| SG6 | | O | 1 | CUX-DTM |
| CUX | 11 | M | 1 | Currency code |
| Price/Sales Catalogue Detail Section | | | | |
| SG17 | | O | 1000 | PGI-DTM-QTY-ALI-FTX-SG18-SG19-SG20-SG21-SG27-SG30-SG31-SG32-SG33-SG34-SG35-SG36 |
| PGI | 12 | M | 1 | Group of article |
| SG21 | | O | 99 | ALC-ALI-SG22-SG23-SG24-SG25-SG26 |
| ALC | 13 | M | 1 | Type of allowance or charge (grouping) |
| SG22 | | O | 1 | QTY-RNG |
| QTY | 14 | M | 1 | Allowance for groupings, quantity |
| RNG | 15 | D | 1 | Range details |
| SG23 | | O | 1 | PCD-RNG |
| PCD | 16 | M | 1 | Allowance for groupings, percentage |
| RNG | 17 | O | 1 | Range details |
| SG24 | | O | 2 | MOA-RNG |
| MOA | 18 | M | 1 | Allowance for groupings, amount |
| RNG | 19 | O | 1 | Range details |
| SG36 | | R | 999999 | LIN-PIA-IMD-MEA-QTY-HAN-ALI-DTM-RFF-LOC-FTX-SG37-SG38-SG40-SG41-SG47-SG48-SG51-SG52-SG54-SG55-SG56 |
| LIN | 20 | M | 1 | GTIN article number |
| PIA | 21 | D | 1 | Product identification without GTIN |
| PIA | 22 | O | 1 | Suppliers article number |
| PIA | 23 | O | 1 | Additional Identifikation |
| PIA | 24 | O | 1 | Additional possibilities for product identification |
| PIA | 25 | O | 1 | Class of goods MVB |
| PIA | 26 | O | 1 | Class of goods textile |
| PIA | 27 | O | 1 | Class of goods Supplier |
| PIA | 28 | O | 1 | Replacement, GTIN |

Max. Occ. = Maximum occurrence of the segment/group, Status: M=Mandatory, C=Conditional, R=Required, O=Optional, A=Advised, D=Dependent

Message Structure

| Seg. | No. | Status | Max Occ | Segment |
|------|-----|--------|---------|--------------------------------------|
| PIA | 29 | O | 1 | Replacement, Supplier identification |
| PIA | 30 | O | 1 | Preceding article |
| PIA | 31 | O | 1 | Preceding article |
| IMD | 32 | R | 1 | Item name |
| IMD | 33 | O | 1 | Article long description |
| IMD | 34 | O | 1 | Short description |
| IMD | 35 | O | 1 | Brandname |
| IMD | 36 | O | 1 | Marketing Campaign |
| IMD | 37 | O | 1 | Model description |
| IMD | 38 | O | 1 | Article long description |
| IMD | 39 | O | 1 | Colour |
| IMD | 40 | O | 1 | Size |
| IMD | 41 | O | 1 | Correct fit |
| IMD | 42 | O | 1 | Target Consumer Age |
| IMD | 43 | R | 1 | Ordering unit, yes/no |
| IMD | 44 | R | 1 | Despatch unit, yes/no |
| IMD | 45 | R | 1 | Smallest unit, yes/no |
| IMD | 46 | R | 1 | Consumer unit, yes/no |
| IMD | 47 | R | 1 | NOS article, yes/no |
| IMD | 48 | O | 1 | Display |
| IMD | 49 | O | 1 | Season parameter |
| MEA | 50 | O | 1 | Measurements |
| MEA | 51 | O | 1 | Net weight |
| MEA | 52 | O | 1 | Gross weight |
| QTY | 53 | O | 1 | Smallest Order Quantity |
| QTY | 54 | O | 1 | Order subset quantity |
| ALI | 55 | O | 1 | Returnability, no |
| ALI | 56 | O | 1 | Not subject to bonus |
| ALI | 57 | O | 1 | Country of origin |
| ALI | 58 | O | 1 | Manual finishing |
| DTM | 59 | O | 1 | Validity, start date |
| DTM | 60 | O | 1 | Availability (line item) |
| DTM | 61 | O | 1 | Earliest sale date |
| DTM | 62 | O | 1 | Order period |
| DTM | 63 | O | 1 | Delivery period |
| FTX | 64 | O | 1 | Reason qualifier |
| SG37 | | O | 999 | CCI-CAV-MEA |
| CCI | 65 | M | 1 | Material information |
| CAV | 66 | O | 1 | Type of material |
| MEA | 67 | O | 1 | Type of material, procentage |
| SG38 | | O | 10 | TAX-MOA |
| TAX | 68 | M | 1 | Value added tax on line level |
| SG40 | | O | 100 | PRI-CUX-APR-RNG-DTM-LOC |
| PRI | 69 | M | 1 | Price per unit net |
| RNG | 70 | O | 1 | Range details |
| SG40 | | O | 100 | PRI-CUX-APR-RNG-DTM-LOC |
| PRI | 71 | M | 1 | Price per unit gross |
| SG40 | | O | 100 | PRI-CUX-APR-RNG-DTM-LOC |
| PRI | 72 | M | 1 | Fixed Retail price |
| CUX | 73 | O | 1 | Currency indication |
| LOC | 74 | O | 1 | Location of sale |

Max. Occ. = Maximum occurrence of the segment/group, Status: M=Mandatory, C=Conditional, R=Required, O=Optional, A=Advised, D=Dependent

Message Structure

| Seg. | No. | Status | Max Occ | Segment |
|------|-----|--------|---------|---------------------------------------|
| SG40 | | O | 100 | PRI-CUX-APR-RNG-DTM-LOC |
| PRI | 75 | M | 1 | Retail price |
| CUX | 76 | O | 1 | Currency indication |
| LOC | 77 | O | 1 | Location of sale |
| SG40 | | O | 100 | PRI-CUX-APR-RNG-DTM-LOC |
| PRI | 78 | M | 1 | Reduced retail price |
| CUX | 79 | O | 1 | Currency indication |
| APR | 80 | O | 1 | Reduced price |
| DTM | 81 | O | 1 | Validity, start |
| DTM | 82 | O | 1 | Validity, end |
| LOC | 83 | O | 1 | Location of sale |
| SG41 | | O | 99 | ALC-ALI-DTM-SG42-SG43-SG44-SG45-SG46 |
| ALC | 84 | M | 1 | Type of allowance or charge (article) |
| SG42 | | O | 1 | QTY-RNG |
| QTY | 85 | M | 1 | Allowance for article, quantity |
| RNG | 86 | O | 1 | Range details |
| SG43 | | O | 1 | PCD-RNG |
| PCD | 87 | M | 1 | Allowance for article, percentage |
| RNG | 88 | O | 1 | Range details |
| SG44 | | O | 1 | MOA-RNG |
| MOA | 89 | M | 1 | Allowance for article, amount |
| RNG | 90 | O | 1 | Range details |
| SG47 | | O | 1 | PAC-MEA-HAN |
| PAC | 91 | M | 1 | Marked with Price |
| SG47 | | O | 1 | PAC-MEA-HAN |
| PAC | 92 | M | 1 | Marked with barcode |
| SG47 | | O | 1 | PAC-MEA-HAN |
| PAC | 93 | M | 1 | Packaging details |
| SG47 | | O | 1 | PAC-MEA-HAN |
| PAC | 94 | M | 1 | Clothes hanger |
| SG51 | | O | 1 | EFI-CED-COM-RFF-DTM-QTY |
| EFI | 95 | M | 1 | External link |
| COM | 96 | O | 1 | Internetaddress |
| SG56 | | O | 999 | HYN-PIA-QTY-SG58 |
| HYN | 97 | M | 1 | Hierarchy information |
| QTY | 98 | R | 1 | Quantity |

Price/Sales Catalogue Summary Section

| | | | | |
|-----|-----|---|---|------------------------------|
| UNT | 99 | M | 1 | End of message |
| UNZ | 100 | M | 1 | End of the transmission file |

Max. Occ. = Maximum occurrence of the segment/group, Status: M=Mandatory, C=Conditional, R=Required, O=Optional, A=Advised, D=Dependent

Segment Layout

| No. Seg | St | Max. Occ. | | | |
|---|------------|----------------------------------|-----------------------|----|-------------------------|
| 1 | UNA | R 1 | Service string advice | | |
| To define the characters selected for use as delimiters and indicators in the rest of the interchange that follows. | | | | | |
| Business Term | DE | EDIFACT | Format | St | * Description |
| Component data element separator | UNA1 | Component data element separator | an1 | M | Default value: ":" |
| Data element separator | UNA2 | Data element separator | an1 | M | Default value: "+" |
| Decimal notation | UNA3 | Decimal notation | an1 | M | Default value: "." |
| Release character | UNA4 | Release indicator | an1 | M | Default value: "?" |
| Reserved for future use | UNA5 | Reserved for future use | an1 | M | (Default value: space) |
| Segment terminator | UNA6 | Segment terminator | an1 | M | Default value: "' ' |
| Segmentstatus: Mandatory | | | | | |
| The use of the UNA segment is mandatory, if character set "A" (UNB,DE0001) is not used. | | | | | |
| For international EDI the use of character set UNOA is recommended. For national (German) EDI the use of UNOC is reasonable because it contains lower case letters and umlauts. | | | | | |
| Example: UNA:+.? ' ' | | | | | |
| The UNA segment contains the default service string characters. | | | | | |

Max. Occ. = Maximum Occurrence, St = Status, * = Restricted Codes
 Status: M=Mandatory, R=Required, O=Optional, D=Dependent, A=Advised, N=Not used

Segment Layout

| No. Seg | St | Max. Occ. | | | | |
|--|------------|---|--|----|---|--|
| 2 | UNB | M 1 | Interchange header To start, identify and specify an interchange. | | | |
| Business Term | DE | EDIFACT | Format | St | * | Description |
| | S001 | Syntax identifier | | M | | |
| Character set | 0001 | Syntax identifier | a4 | M | * | UNOA UN/ECE level A UNOB UN/ECE level B UNOC UN/ECE level C UNOD UN/ECE level D UNOE UN/ECE level E UNOF UN/ECE level F |
| Syntax version | 0002 | Syntax version number | n1 | M | * | 3 Version 3 |
| | S002 | Interchange sender | | M | | |
| Indentification of the sender of the transmission file | 0004 | Sender identification | an..35 | M | | = Global Location Number (GLN) |
| | 0007 | Partner identification code qualifier | an..4 | R | * | 14 GS1 |
| Address for reverse routing | 0008 | Address for reverse routing | an..14 | O | | See note |
| | S003 | Interchange recipient | | M | | |
| Indentification of the receiver of the transmission file | 0010 | Recipient identification | an..35 | M | | = Global Location Number (GLN) |
| | 0007 | Partner identification code qualifier | an..4 | R | * | 14 GS1 |
| Routing address | 0014 | Routing address | an..14 | O | | See note |
| | S004 | Date/time of preparation | | M | | |
| File creation date | 0017 | Date of preparation | n6 | M | | = Dateformat JJMMTT |
| File creation time | 0019 | Time of preparation | n4 | M | | = Timeformat HHMM |
| Interchange control reference, beginnig | 0020 | Interchange control reference | an..14 | M | | = Unique senders reference |
| | S005 | Recipient's reference, password | | O | | |
| Password interchange | 0022 | Recipient's reference/ password | an..14 | M | | |
| | 0025 | Recipient's reference/ password qualifier | an2 | O | * | AA Reference BB Password |
| Application reference | 0026 | Application reference | an..14 | O | | Message type if the transmission fole contains only one message type |
| | 0029 | Processing priority code | a1 | O | * | A Highest priority |
| Acknowledgement request | 0031 | Acknowledgement request | n1 | O | | |
| EANCOM | 0032 | Communications agreement ID | an..35 | R | | = EANCOM... EDIFACT subset identification (see note) |
| Test indicator | 0035 | Test indicator | n1 | O | * | 1 Interchange is a |

Max. Occ. = Maximum Occurrence, St = Status, * = Restricted Codes
Status: M=Mandatory, R=Required, O=Optional, D=Dependent, A=Advised, N=Not used

Segment Layout

| Business Term | DE | EDIFACT | Format | St | * | Description |
|--|----|---------|--------|----|---|-------------|
| | | | | | | test |
| <p>Segmentstatus: Mandatory</p> <p>This segment is used to envelope the interchange, as well as to identify both, the party to whom the interchange is sent and the party who has sent the interchange.</p> <p>For international EDI the use of character set UNOA is recommended. For national (German) EDI the use of UNOC is reasonable because it contains lower case letters and umlauts.</p> <p>Note DE 0008: The address for reverse routing is provided by the interchange sender to inform the interchange recipient of the address within the sender's (source) system to which responding interchanges must be sent. It is recommended that the GLN be used for this purpose.</p> <p>Note DE 0014: The routing address is used to identify the receiver, if a provider adds service values for the actual receiver (e.g. consolidated companies, corporate group). The use of the identification system (e.g. GLN) has to be agreed bilaterally.</p> <p>Note DE 0020: This data element must contain a consistent sequential number per interchange between sender and receiver of the transmission.</p> <p>Note DE 0032: This data element is used to identify any underlying agreements which control the exchange of data. Within EANCOM , the identity of such agreements must start with the letters 'EANCOM', the remaining characters within the data element being filled according to bilateral agreements.</p> <p>Example: UNB+UNOC:3+4012345000009:14:4012345000018+4000004000002:14:4000004000099+101013:1043+4711+REF:AA+++EANCOM+1' The EANCOM file 4711 dated 13.10.2010, 10 h 43 is sent by the issuer identified with GLN 4012345000009 to the receiver identified with GLN 4000004000002.</p> | | | | | | |

Max. Occ. = Maximum Occurrence, St = Status, * = Restricted Codes
 Status: M=Mandatory, R=Required, O=Optional, D=Dependent, A=Advised, N=Not used

Segment Layout

Price/Sales Catalogue Heading Section
Heading section

| No. Seg | St | Max. Occ. | | | | |
|--|------------|---------------------------|--|----|---|---|
| 3 | UNH | M 1 | Message header To head, identify and specify a message. | | | |
| Business Term | DE | EDIFACT | Format | St | * | Description |
| Message reference number | 0062 | Message reference number | an..14 | M | | Senders unique message reference. Sequence number of messages in the interchange. DE 0062 in UNT will have the same value. Generated by the sender. |
| | S009 | Message identifier | | M | | |
| | 0065 | Message type | an..6 | M | * | PRICAT Price/sales catalogue message |
| | 0052 | Message version number | an..3 | M | * | D Draft version/ UN/EDIFACT Directory |
| | 0054 | Message release number | an..3 | M | * | 01B Release 2001 - B |
| | 0051 | Controlling agency | an..2 | M | * | UN UN/CEFACT |
| | 0057 | Association assigned code | an..6 | R | * | EAN009 GS1 version control number (GS1 Permanent Code) Indicates that the message is an EANCOM version 009 of the UNSM Price/Sales Catalogue. |
| Segmentstatus: Mandatory | | | | | | |
| This segment is used to head, identify and specify a message. | | | | | | |
| DE's 0065, 0052, 0054, and 0051: Indicate that the message is a UNSM Price/Sales Catalogue based on the D.01B directory under the control of the United Nations. | | | | | | |
| Example: UNH+ME0001+PRICAT:D:01B:UN:EAN009' | | | | | | |
| The reference number of the PRICAT message is ME0001. | | | | | | |

Max. Occ. = Maximum Occurrence, St = Status, * = Restricted Codes
Status: M=Mandatory, R=Required, O=Optional, D=Dependent, A=Advised, N=Not used

Segment Layout

Heading section

| No. Seg | St | Max. Occ. | | | | |
|---|------------|-----------------------------------|--|----|---|--|
| 4 | BGM | M 1 | Beginning of message To indicate the type and function of a message and to transmit the identifying number. | | | |
| Business Term | DE | EDIFACT | Format | St | * | Description |
| | C002 | Document/message name | | R | | |
| | 1001 | Document name code | an..3 | R | * | 9 Price/sales catalogue |
| | 1131 | Code list identification code | an..17 | N | | |
| | 3055 | Code list responsible agency code | an..3 | D | * | 9 GS1 |
| | 1000 | Document name | an..35 | O | | |
| | C106 | Document/message identification | | R | | |
| Price list number | 1004 | Document identifier | an..35 | R | | Price list number assigned by document sender It is recommended that the length of the document number be restricted to a maximum of 17 characters and that the number is unique. For global unique identification of documents Global Document Type Identifier (GDTI) is available. |
| | 1225 | Message function code | an..3 | R | * | 9 Original The message function, coded is a critical data element in this segment. It applies to all data indicated in the message. The following definitions apply for the restricted codes: 9 = Original - An original transmission of a Price/sales catalogue. |
| | 4343 | Response type code | an..3 | D | | |
| Segmentstatus: Mandatory | | | | | | |
| This segment is used to indicate the type and function of a message and to transmit the identifying number of the document. | | | | | | |
| Example: BGM+9::9+128576+9' The document number is 128576. | | | | | | |

Max. Occ. = Maximum Occurrence, St = Status, * = Restricted Codes
Status: M=Mandatory, R=Required, O=Optional, D=Dependent, A=Advised, N=Not used

Segment Layout

Heading section

| No. Seg | St | Max. Occ. | | | | |
|---------------|------------|---|--|----|---|--|
| 5 | DTM | R 1 | Date/time/period To specify date, and/or time, or period. | | | |
| Business Term | DE | EDIFACT | Format | St | * | Description |
| | C507 | Date/time/period | | M | | |
| | 2005 | Date or time or period function code qualifier | an..3 | M | * | 137 Document/ message date/ time |
| Creation date | 2380 | Date or time or period value | an..35 | R | | |
| | 2379 | Date or time or period format code | an..3 | R | | 102 CCYYMMDD 203 CCYYMMDDHHMM |

Segmentstatus: Mandatory

This segment is used to specify any dates applicable to the complete price list message.

DE 2005: Identification of the 'Document/message date/time' (code value 137) is mandatory in an EANCOM message.

Example: `DTM+137:20181209:102'`

The message was created on 09.12.2018.

Max. Occ. = Maximum Occurrence, St = Status, * = Restricted Codes
Status: M=Mandatory, R=Required, O=Optional, D=Dependent, A=Advised, N=Not used

Segment Layout

| No. Seg | St | Max. Occ. | | | | |
|--|------------|---|--|----|---|--------------------------------|
| 6 | DTM | M 1 | Date/time/period To specify date, and/or time, or period. | | | |
| Business Term | DE | EDIFACT | Format | St | * | Description |
| | C507 | Date/time/period | | M | | |
| | 2005 | Date or time or period function code qualifier | an..3 | M | * | 157 Validity start date |
| Validity, start date | 2380 | Date or time or period value | an..35 | R | | |
| | 2379 | Date or time or period format code | an..3 | R | | 102 CCYYMMDD |
| Segmentstatus: Optional | | | | | | |
| Example: DTM+157:20180526:102' | | | | | | |
| The validity period starts with the 26th of May 2018 . | | | | | | |

Max. Occ. = Maximum Occurrence, St = Status, * = Restricted Codes
 Status: M=Mandatory, R=Required, O=Optional, D=Dependent, A=Advised, N=Not used

Segment Layout

Heading section

| No. Seg | St | Max. Occ. | | | |
|--|------|-----------------------------------|------------------|----|---|
| SG2 | R | 1 | NAD-SG3-SG4 | | |
| A group of segments identifying the parties involved in the announcement for returns message and any associated information. | | | | | |
| 7 | | | | | |
| NAD | M | 1 | Name and address | | |
| To specify the name/address and their related function, either by C082 only and/or unstructured by C058 or structured by C080 thru 3207. | | | | | |
| Business Term | DE | EDIFACT | Format | St | * Description |
| | 3035 | Party function code qualifier | an..3 | M | * SU Supplier |
| | C082 | Party identification details | | A | |
| Identification of supplier | 3039 | Party identifier | an..35 | M | Global Location Number (GLN) - Format n13 |
| | 1131 | Code list identification code | an..17 | N | |
| | 3055 | Code list responsible agency code | an..3 | R | * 9 GS1 |
| | C058 | Name and address | | O | This composite may only be used to fulfill the requirements of directive 2003/58/EG, article 4. If applicable the message sender gets the possibility to give the relevant statements at this place. If C058 ist not sufficient, more declaration can be given in following RFF+GN... segments. |
| | 3124 | Name and address description | an..35 | M | |
| | 3124 | Name and address description | an..35 | O | |
| | 3124 | Name and address description | an..35 | O | |
| | 3124 | Name and address description | an..35 | O | |
| | 3124 | Name and address description | an..35 | O | |
| Segmentstatus: Mandatory | | | | | |
| Within EANCOM it is mandatory to identify the supplier/manufacturer by Global Location Number (GLN). | | | | | |
| Example: NAD+SU+4012345000009 : :9+ABC123' | | | | | |
| The supplier/manufacturer is identified by Global Location Number (GLN) 4012345000009. | | | | | |

Max. Occ. = Maximum Occurrence, St = Status, * = Restricted Codes
 Status: M=Mandatory, R=Required, O=Optional, D=Dependent, A=Advised, N=Not used

Segment Layout

Heading section

| No. Seg | St | Max. Occ. | | | | |
|---|------|--------------------------|-------------|----|---|---------------------------------------|
| SG2 | R | 1 | NAD-SG3-SG4 | | | |
| A group of segments identifying the parties involved in the announcement for returns message and any associated information. | | | | | | |
| SG3 | D | 1 | RFF | | | |
| RFF | M | 1 | Reference | | | |
| To specify a reference. | | | | | | |
| Business Term | DE | EDIFACT | Format | St | * | Description |
| | C506 | Reference | | M | | |
| | 1153 | Reference code qualifier | an..3 | M | * | GN Government reference number |
| Statements on business letters | 1154 | Reference identifier | an..70 | R | | |
| Segmentstatus: Depending | | | | | | |
| This RFF segment may only be used if the preceding NAD has not enough space to fulfill the requirements of directive 2003/58/EG, article 4. | | | | | | |
| Example: RFF+GN:HRB-471111' | | | | | | |
| German statements on business letters: HRB-471111 | | | | | | |

Max. Occ. = Maximum Occurrence, St = Status, * = Restricted Codes
 Status: M=Mandatory, R=Required, O=Optional, D=Dependent, A=Advised, N=Not used

Segment Layout

Heading section

| No. Seg | St | Max. Occ. | | | | |
|--|------------|--------------------------------------|--|----|---|--|
| 9 | SG2 | R 1 | NAD-SG3-SG4 | | | |
| | NAD | M 1 | Name and address To specify the name/address and their related function, either by C082 only and/or unstructured by C058 or structured by C080 thru 3207. | | | |
| Business Term | DE | EDIFACT | Format | St | * | Description |
| | 3035 | Party function code qualifier | an..3 | M | * | MR Message recipient |
| | C082 | Party identification details | | A | | |
| Identification of receiver | 3039 | Party identifier | an..35 | M | | Global Location Number (GLN) - Format n13 |
| | 1131 | Code list identification code | an..17 | N | | |
| | 3055 | Code list responsible agency code | an..3 | R | * | 9 GS1 |
| <p>Segmentstatus: Mandatory</p> <p>Within EANCOM it is mandatory to identify the receiver by Global Location Number (GLN).</p> <p>Example: NAD+MR+4398765000004::9' The price list is valid for the receiver with the Global Location Number (GLN) 4398765000004.</p> | | | | | | |

Max. Occ. = Maximum Occurrence, St = Status, * = Restricted Codes
 Status: M=Mandatory, R=Required, O=Optional, D=Dependent, A=Advised, N=Not used

Segment Layout

Heading section

| No. Seg | St | Max. Occ. | | | | |
|---|------------|--|---|----|---|---|
| 10 | SG5 | R 1 | TAX | | | |
| | TAX | M 1 | Duty/tax/fee details To specify relevant duty/tax/fee information. | | | |
| Business Term | DE | EDIFACT | Format | St | * | Description |
| | 5283 | Duty or tax or fee function code qualifier | an..3 | M | * | 7 Tax |
| | C241 | Duty/tax/fee type | | D | | |
| Value added tax on header level | 5153 | Duty or tax or fee type name code | an..3 | O | * | VAT Value added tax |
| | 1131 | Code list identification code | an..17 | O | | |
| | 3055 | Code list responsible agency code | an..3 | D | | |
| | 5152 | Duty or tax or fee type name | an..35 | O | | |
| | C533 | Duty/tax/fee account detail | | O | | |
| | 5289 | Duty or tax or fee account code | an..6 | M | | |
| | 1131 | Code list identification code | an..17 | O | | |
| | 3055 | Code list responsible agency code | an..3 | D | | |
| | 5286 | Duty or tax or fee assessment basis value | an..15 | O | | |
| | C243 | Duty/tax/fee detail | | A | | |
| | 5279 | Duty or tax or fee rate code | an..7 | O | | |
| | 1131 | Code list identification code | an..17 | O | | |
| | 3055 | Code list responsible agency code | an..3 | D | | |
| | 5278 | Duty or tax or fee rate | an..17 | R | | Actual tax rate |
| | 5273 | Duty or tax or fee rate basis code | an..12 | O | | |
| | 1131 | Code list identification code | an..17 | O | | |
| | 3055 | Code list responsible agency code | an..3 | D | | |
| | 5305 | Duty or tax or fee category code | an..3 | R | | E Exempt from tax S Standard rate O Services outside scope of tax |
| Segmentstatus: Mandatory | | | | | | |
| Note to DE 5278 and 5305: if the business volume is free of tax, DE 5278 must contain 0 (zero). | | | | | | |
| Example: TAX+7+VAT+ABC123++:::19+S' The VAT rate for the price list is 19%. | | | | | | |

Max. Occ. = Maximum Occurrence, St = Status, * = Restricted Codes
Status: M=Mandatory, R=Required, O=Optional, D=Dependent, A=Advised, N=Not used

Segment Layout

Heading section

| No. | Seg | St | Max. | Occ. | | | |
|--|------------|------|----------------------------------|--------|------------|---|-------------------------|
| 11 | SG6 | O | 1 | | CUX-DTM | | |
| | CUX | M | 1 | | Currencies | | |
| To specify currencies used in the transaction and relevant details for the rate of exchange. | | | | | | | |
| Business Term | | DE | EDIFACT | Format | St | * | Description |
| | | C504 | Currency details | | R | | |
| | | 6347 | Currency usage code qualifier | an..3 | M | * | 2 Reference currency |
| Currency code | | 6345 | Currency identification code | an..3 | R | | ISO 4217 3-Alpha Code |
| | | 6343 | Currency type code qualifier | an..3 | R | * | 8 Price list currency |
| Segmentstatus: Optional | | | | | | | |
| This segment is used to indicate currency specification for the entire price list. | | | | | | | |
| Example: CUX+2:EUR:8' | | | | | | | |
| The currency of the price list is EURO | | | | | | | |

Max. Occ. = Maximum Occurrence, St = Status, * = Restricted Codes
 Status: M=Mandatory, R=Required, O=Optional, D=Dependent, A=Advised, N=Not used

Segment Layout

Detail section

| No. Seg | St | Max. Occ. | | | | |
|---|------|-----------------------------------|---|----|---|--|
| SG17 | O | 1000 | PGI-DTM-QTY-ALI-FTX-SG18-SG19-SG20-SG21-SG27-SG30-SG31-SG32-SG33-SG34-SG35-SG36 | | | |
| <p>A group of segments enabling the standard commercial factors relevant to a specific group of items to be specified. e.g. quantity related price break factors or minimum order quantity.</p> | | | | | | |
| 12 | | | PGI | M | 1 | Product group information To indicate the group in which a product belongs. |
| Business Term | DE | EDIFACT | Format | St | * | Description |
| | 5379 | Product group type code | an..3 | M | * | 3 Catalogue 11 Product group |
| | C288 | Product group | | O | | |
| Name of grouping, code | 5389 | Product group name code | an..25 | O | | |
| Code list name | 1131 | Code list identification code | an..17 | O | | |
| | 3055 | Code list responsible agency code | an..3 | D | * | 91 Assigned by supplier or supplier's agent |
| | 5388 | Product group name | an..35 | O | | |
| <p>Segmentstatus: Mandatory</p> <p>This segment is used to group a set of related products together.</p> <p>The detail section of the Price/Sales Catalogue starts with the PGI segment. PGI is used to group products, by price, by product type, by buying group, and/or by supplier/manufacturer.</p> <p>Example: PGI+11+BAG:BEISPIEL:91 ' This example shows the grouping TB of the codelist "BEISPIEL" generated by the supplier.</p> | | | | | | |

Max. Occ. = Maximum Occurrence, St = Status, * = Restricted Codes
 Status: M=Mandatory, R=Required, O=Optional, D=Dependent, A=Advised, N=Not used

Segment Layout

Detail section

| No. Seg | St | Max. Occ. | | | | Description |
|---|------|---|---|----|---|--|
| SG17 | O | 1000 | PGI-DTM-QTY-ALI-FTX-SG18-SG19-SG20-SG21-SG27-SG30-SG31-SG32-SG33-SG34-SG35-SG36 | | | A group of segments enabling the standard commercial factors relevant to a specific group of items to be specified. e.g. quantity related price break factors or minimum order quantity. |
| SG21 | O | 99 | ALC-ALI-SG22-SG23-SG24-SG25-SG26 | | | A group of segments specifying allowances and charges for the whole pricing group. The allowances or charges specified within this group relate to the total pricing group and has to be added to the allowances and charges at heading level, if any. When relevant, additional information, tax details may be indicated. The basis for the calculation of the allowance/ charge may be a quantity, a percentage, an amount or a rate. |
| 13 ALC | M | 1 | Allowance or charge | | | To identify allowance or charge details. |
| Business Term | DE | EDIFACT | Format | St | * | Description |
| | 5463 | Allowance or charge code qualifier | an..3 | M | * | A Allowance |
| | C552 | Allowance/charge information | | O | | |
| Type of allowance or charge, grouping | 1230 | Allowance or charge identifier | an..35 | D | | The use of this dataelement has to be agreed mutually between the trading partners. |
| | 5189 | Allowance or charge identification code | an..3 | O | | |
| | 4471 | Settlement means code | an..3 | O | | |
| | 1227 | Calculation sequence code | an..3 | D | | 1 First step of calculation 2 Second step of calculation etc, etc, etc, 9 Ninth step of calculation |
| | C214 | Special services identification | | D | | |
| | 7161 | Special service description code | an..3 | R | * | DI Discount |
| Segmentstatus: Optional | | | | | | |
| This segment is used to specify any allowances related to the complete product group. | | | | | | |
| Example: ALC+A+++DI' | | | | | | |
| This segment announce a allowanc. | | | | | | |

Max. Occ. = Maximum Occurrence, St = Status, * = Restricted Codes
 Status: M=Mandatory, R=Required, O=Optional, D=Dependent, A=Advised, N=Not used

Segment Layout

Detail section

| No. Seg | St | Max. Occ. | | | | |
|---|------------|------------------------------|---|----------|---|-----------------------------------|
| SG17 | O | 1000 | PGI-DTM-QTY-ALI-FTX-SG18-SG19-SG20-SG21-SG27-SG30-SG31-SG32-SG33-SG34-SG35-SG36 | | | |
| <p>A group of segments enabling the standard commercial factors relevant to a specific group of items to be specified. e.g. quantity related price break factors or minimum order quantity.</p> | | | | | | |
| SG21 | O | 99 | ALC-ALI-SG22-SG23-SG24-SG25-SG26 | | | |
| <p>A group of segments specifying allowances and charges for the whole pricing group. The allowances or charges specified within this group relate to the total pricing group and has to be added to the allowances and charges at heading level, if any. When relevant, additional information, tax details may be indicated. The basis for the calculation of the allowance/ charge may be a quantity, a percentage, an amount or a rate.</p> | | | | | | |
| SG22 | O | 1 | QTY-RNG | | | |
| <p>A group of segments specifying the quantity of the allowance or charge with its measure unit specifier. A range to which the allowance or charge applies may be specified. e.g. An allowance of a free quantity of 20 pieces may be specified if the quantity of goods ordered is greater than 1000 pieces. The specified quantity of allowance is valid for each article of the grouping (default).</p> | | | | | | |
| 14 | QTY | M | 1 | Quantity | | |
| To specify a pertinent quantity. | | | | | | |
| Business Term | DE | EDIFACT | Format | St | * | Description |
| | C186 | Quantity details | | M | | |
| | 6063 | Quantity type code qualifier | an..3 | M | * | 1 Discrete quantity |
| Quantity of allowance, grouping | 6060 | Quantity | an..35 | M | | Note: Use only numeric values. |
| <p>Segmentstatus: Optional</p> <p>This segment is used to specify quantity allowances applicable for the entire product group.</p> <p>This quantity segment has to be used with the following RNG segment.</p> <p>Example: QTY+1:2' The free quantity is 2.</p> | | | | | | |

Max. Occ. = Maximum Occurrence, St = Status, * = Restricted Codes
 Status: M=Mandatory, R=Required, O=Optional, D=Dependent, A=Advised, N=Not used

Segment Layout

Detail section

| No. Seg | St | Max. Occ. | |
|---|------------|-----------|---|
| SG17 | O | 1000 | PGI-DTM-QTY-ALI-FTX-SG18-SG19-SG20-SG21-SG27-SG30-SG31-SG32-SG33-SG34-SG35-SG36 |
| <p>A group of segments enabling the standard commercial factors relevant to a specific group of items to be specified. e.g. quantity related price break factors or minimum order quantity.</p> | | | |
| SG21 | O | 99 | ALC-ALI-SG22-SG23-SG24-SG25-SG26 |
| <p>A group of segments specifying allowances and charges for the whole pricing group. The allowances or charges specified within this group relate to the total pricing group and has to be added to the allowances and charges at heading level, if any. When relevant, additional information, tax details may be indicated. The basis for the calculation of the allowance/ charge may be a quantity, a percentage, an amount or a rate.</p> | | | |
| SG22 | O | 1 | QTY-RNG |
| <p>A group of segments specifying the quantity of the allowance or charge with its measure unit specifier. A range to which the allowance or charge applies may be specified. e.g. An allowance of a free quantity of 20 pieces may be specified if the quantity of goods ordered is greater than 1000 pieces. The specified quantity of allowance is valid for each article of the grouping (default).</p> | | | |
| 15 | RNG | D 1 | Range details To identify a range. |

| Business Term | DE | EDIFACT | Format | St | * | Description |
|---------------------|------|---------------------------|--------|----|---|--|
| | 6167 | Range type code qualifier | an..3 | M | * | 1 Allowance range |
| | C280 | Range | | R | | |
| | 6411 | Measurement unit code | an..3 | M | | 23 gram per cubic centimetre AMT amount H87 Piece (Old code value: PCE) All code values from EANCOM code list 6411 and UN/ECE Recommendation 20 code list available. |
| Range minimum value | 6162 | Range minimum value | n..18 | O | | |
| Range maximum value | 6152 | Range maximum value | n..18 | O | | |

Segmentstatus: Depending, mandatory if the QTY has been used.

This segment is used to specify ranges which apply to the previous QTY segment.

Example: **RNG+1+H87:20:29'**

The range is from 20 to 29 pieces.

Max. Occ. = Maximum Occurrence, St = Status, * = Restricted Codes
Status: M=Mandatory, R=Required, O=Optional, D=Dependent, A=Advised, N=Not used

Segment Layout

Detail section

| No. Seg | St | Max. Occ. | |
|---|------------|--------------------------------|---|
| SG17 | O | 1000 | PGI-DTM-QTY-ALI-FTX-SG18-SG19-SG20-SG21-SG27-SG30-SG31-SG32-SG33-SG34-SG35-SG36 |
| <p>A group of segments enabling the standard commercial factors relevant to a specific group of items to be specified. e.g. quantity related price break factors or minimum order quantity.</p> | | | |
| SG21 | O | 99 | ALC-ALI-SG22-SG23-SG24-SG25-SG26 |
| <p>A group of segments specifying allowances and charges for the whole pricing group. The allowances or charges specified within this group relate to the total pricing group and has to be added to the allowances and charges at heading level, if any. When relevant, additional information, tax details may be indicated. The basis for the calculation of the allowance/ charge may be a quantity, a percentage, an amount or a rate.</p> | | | |
| SG23 | O | 1 | PCD-RNG |
| <p>A group of segments specifying the percentage for the allowance or charge, e.g. The allowance/charge amount is calculated as 5% of the goods value or a price reduction of 5% may be specified if the goods quantity ordered is within the range 5 tons to 10 tons.</p> | | | |
| 16 | PCD | M 1 | Percentage details |
| <p>To specify percentage information.</p> | | | |
| Business Term | DE | EDIFACT | Format St * Description |
| | C501 | Percentage details | M |
| | 5245 | Percentage type code qualifier | an..3 M * 12 Discount |
| Allowance in %, grouping | 5482 | Percentage | n..10 R |
| <p>Segmentstatus: Optional</p> <p>This segment is used to specify percentage allowances applicable for the entire product group.</p> <p>Example: PCD+12:5' The allowance is 5%.</p> | | | |

Max. Occ. = Maximum Occurrence, St = Status, * = Restricted Codes
 Status: M=Mandatory, R=Required, O=Optional, D=Dependent, A=Advised, N=Not used

Segment Layout

Detail section

| No. Seg | St | Max. Occ. | |
|---|------------|-----------|---|
| SG17 | O | 1000 | PGI-DTM-QTY-ALI-FTX-SG18-SG19-SG20-SG21-SG27-SG30-SG31-SG32-SG33-SG34-SG35-SG36 |
| <p>A group of segments enabling the standard commercial factors relevant to a specific group of items to be specified. e.g. quantity related price break factors or minimum order quantity.</p> | | | |
| SG21 | O | 99 | ALC-ALI-SG22-SG23-SG24-SG25-SG26 |
| <p>A group of segments specifying allowances and charges for the whole pricing group. The allowances or charges specified within this group relate to the total pricing group and has to be added to the allowances and charges at heading level, if any. When relevant, additional information, tax details may be indicated. The basis for the calculation of the allowance/ charge may be a quantity, a percentage, an amount or a rate.</p> | | | |
| SG23 | O | 1 | PCD-RNG |
| <p>A group of segments specifying the percentage for the allowance or charge, e.g. The allowance/charge amount is calculated as 5% of the goods value or a price reduction of 5% may be specified if the goods quantity ordered is within the range 5 tons to 10 tons.</p> | | | |
| 17 | RNG | O | 1 Range details |
| <p>To identify a range.</p> | | | |

| Business Term | DE | EDIFACT | Format | St | * | Description |
|---------------------|------|---------------------------|--------|----|---|--|
| | 6167 | Range type code qualifier | an..3 | M | * | 1 Allowance range |
| | C280 | Range | | R | | |
| | 6411 | Measurement unit code | an..3 | M | | 23 gram per cubic centimetre AMT amount H87 Piece (Old code value: PCE) All code values from EANCOM code list 6411 and UN/ECE Recommendation 20 code list available. |
| Range minimum value | 6162 | Range minimum value | n..18 | O | | |
| Range maximum value | 6152 | Range maximum value | n..18 | O | | |

Segmentstatus: Optional

This segment is used to specify ranges which apply to the previous QTY segment.

Example: **RNG+1+H87:20:29'**

The range is from 20 to 29 pieces.

Max. Occ. = Maximum Occurrence, St = Status, * = Restricted Codes
Status: M=Mandatory, R=Required, O=Optional, D=Dependent, A=Advised, N=Not used

Segment Layout

Detail section

| No. Seg | St | Max. Occ. | | | | |
|---|------------|-------------------------------------|---|-----------------|---|-----------------------------------|
| SG17 | O | 1000 | PGI-DTM-QTY-ALI-FTX-SG18-SG19-SG20-SG21-SG27-SG30-SG31-SG32-SG33-SG34-SG35-SG36 | | | |
| <p>A group of segments enabling the standard commercial factors relevant to a specific group of items to be specified. e.g. quantity related price break factors or minimum order quantity.</p> | | | | | | |
| SG21 | O | 99 | ALC-ALI-SG22-SG23-SG24-SG25-SG26 | | | |
| <p>A group of segments specifying allowances and charges for the whole pricing group. The allowances or charges specified within this group relate to the total pricing group and has to be added to the allowances and charges at heading level, if any. When relevant, additional information, tax details may be indicated. The basis for the calculation of the allowance/ charge may be a quantity, a percentage, an amount or a rate.</p> | | | | | | |
| SG24 | O | 2 | MOA-RNG | | | |
| <p>A group of segments specifying a monetary amount for an allowance or charge. A range to which the allowance or charge applies can be specified, e.g. an allowance of 5000 EUR may be specified if goods value ordered is greater than 100000 EUR.</p> | | | | | | |
| 18 | MOA | M | 1 | Monetary amount | | |
| <p>To specify a monetary amount.</p> | | | | | | |
| Business Term | DE | EDIFACT | Format | St | * | Description |
| | C516 | Monetary amount | | M | | |
| | 5025 | Monetary amount type code qualifier | an..3 | M | * | 204 Allowance amount |
| Amount of allowance, grouping | 5004 | Monetary amount | n..35 | R | | Note: Use only numeric values. |
| <p>Segmentstatus: Optional</p> <p>This segment is used to specify monetary amount allowances for the entire product group.</p> <p>Example: MOA+204:6'</p> <p>The amount of allowance is 6 Euro.</p> | | | | | | |

Max. Occ. = Maximum Occurrence, St = Status, * = Restricted Codes
 Status: M=Mandatory, R=Required, O=Optional, D=Dependent, A=Advised, N=Not used

Segment Layout

Detail section

| No. Seg | St | Max. Occ. | |
|---|------------|-----------|---|
| SG17 | O | 1000 | PGI-DTM-QTY-ALI-FTX-SG18-SG19-SG20-SG21-SG27-SG30-SG31-SG32-SG33-SG34-SG35-SG36 |
| <p>A group of segments enabling the standard commercial factors relevant to a specific group of items to be specified. e.g. quantity related price break factors or minimum order quantity.</p> | | | |
| SG21 | O | 99 | ALC-ALI-SG22-SG23-SG24-SG25-SG26 |
| <p>A group of segments specifying allowances and charges for the whole pricing group. The allowances or charges specified within this group relate to the total pricing group and has to be added to the allowances and charges at heading level, if any. When relevant, additional information, tax details may be indicated. The basis for the calculation of the allowance/ charge may be a quantity, a percentage, an amount or a rate.</p> | | | |
| SG24 | O | 2 | MOA-RNG |
| <p>A group of segments specifying a monetary amount for an allowance or charge. A range to which the allowance or charge applies can be specified, e.g. an allowance of 5000 EUR may be specified if goods value ordered is greater than 100000 EUR.</p> | | | |
| 19 | RNG | O | 1 Range details |
| <p>To identify a range.</p> | | | |

| Business Term | DE | EDIFACT | Format | St | * | Description |
|---------------------|------|---------------------------|--------|----|---|--|
| | 6167 | Range type code qualifier | an..3 | M | * | 1 Allowance range |
| | C280 | Range | | R | | |
| | 6411 | Measurement unit code | an..3 | M | | 23 gram per cubic centimetre AMT amount H87 Piece (Old code value: PCE) All code values from EANCOM code list 6411 and UN/ECE Recommendation 20 code list available. |
| Range minimum value | 6162 | Range minimum value | n..18 | O | | |
| Range maximum value | 6152 | Range maximum value | n..18 | O | | |

Segmentstatus: Optional

This segment is used to specify ranges which apply to the previous QTY segment.

Example: **RNG+1+AMT:20:29'**

The range is from 20 to 29 pieces.

Max. Occ. = Maximum Occurrence, St = Status, * = Restricted Codes
Status: M=Mandatory, R=Required, O=Optional, D=Dependent, A=Advised, N=Not used

Segment Layout

Detail section

| No. Seg | St | Max. Occ. | | | | |
|--|------------|---|--|-----------|---|---|
| SG17 | O | 1000 | PGI-DTM-QTY-ALI-FTX-SG18-SG19-SG20-SG21-SG27-SG30-SG31-SG32-SG33-SG34-SG35-SG36 | | | |
| A group of segments enabling the standard commercial factors relevant to a specific group of items to be specified. e.g. quantity related price break factors or minimum order quantity. | | | | | | |
| SG36 | R | 999999 | LIN-PIA-IMD-MEA-QTY-HAN-ALI-DTM-RFF-LOC-FTX-SG37-SG38-SG40-SG41-SG47-SG48-SG51-SG52-SG54-SG55-SG56 | | | |
| 20 | LIN | M | 1 | Line item | | |
| To identify a line item and configuration. | | | | | | |
| Business Term | DE | EDIFACT | Format | St | * | Description |
| Line item number | 1082 | Line item identifier | an..6 | R | | Application generated line item number |
| Attribute of generation | 1229 | Action request/ notification description code | an..3 | A | * | 1 Added 2 Deleted 3 Changed |
| | C212 | Item number identification | | D | | |
| GTIN | 7140 | Item identifier | an..35 | R | | GTIN, Format n..14 |
| | 7143 | Item type identification code | an..3 | R | * | SRV GS1 Global Trade Item Number |
| Segmentstatus: Mandatory | | | | | | |
| The LIN-segment is used to specify the line item. | | | | | | |
| In this segment the GTIN is indicated as item identification. | | | | | | |
| Example: LIN+1+1+4000004000035:SRV' | | | | | | |
| The line item with number 1 is identified by GTIN 4000004000035. | | | | | | |

Max. Occ. = Maximum Occurrence, St = Status, * = Restricted Codes
 Status: M=Mandatory, R=Required, O=Optional, D=Dependent, A=Advised, N=Not used

Segment Layout

Detail section

| No. Seg | St | Max. Occ. | | | | |
|---|------------|-----------------------------------|--|-----------------------|---|---------------------------------|
| SG17 | O | 1000 | PGI-DTM-QTY-ALI-FTX-SG18-SG19-SG20-SG21-SG27-SG30-SG31-SG32-SG33-SG34-SG35-SG36 | | | |
| <p>A group of segments enabling the standard commercial factors relevant to a specific group of items to be specified. e.g. quantity related price break factors or minimum order quantity.</p> | | | | | | |
| SG36 | R | 999999 | LIN-PIA-IMD-MEA-QTY-HAN-ALI-DTM-RFF-LOC-FTX-SG37-SG38-SG40-SG41-SG47-SG48-SG51-SG52-SG54-SG55-SG56 | | | |
| 21 | PIA | D | 1 | Additional product id | | |
| To specify additional or substitutional item identification codes. | | | | | | |
| Business Term | DE | EDIFACT | Format | St | * | Description |
| | 4347 | Product identifier code qualifier | an..3 | M | * | 5 Product identification |
| | C212 | Item number identification | | M | | |
| Suppliers acticle number | 7140 | Item identifier | an..35 | R | | |
| | 7143 | Item type identification code | an..3 | R | | SA Supplier's article number |
| <p>Segmentstatus: Mandatory, if LIN segment does not provide a GTIN, otherwise segment is not used.</p> <p>Exception: This segment is only used, if LIN segment does not provide a GTIN. It than must follow the LIN segment immediatly. In this case LIN segment (mandatory) only provides the line item number. Identification of the article is done by use of the suppliers article number in this PIA segment, DE 4347 is filled with "5" for primary identification. The use must be agreed bilaterally.</p> <p>Example: PIA+5+ABC5343:SA' Only if LIN does not provide GTIN: Articleidentification in PIA</p> | | | | | | |

Max. Occ. = Maximum Occurrence, St = Status, * = Restricted Codes
 Status: M=Mandatory, R=Required, O=Optional, D=Dependent, A=Advised, N=Not used

Segment Layout

Detail section

| No. Seg | St | Max. Occ. | | | | |
|---|------------|-----------------------------------|--|-----------------------|---|------------------------------|
| SG17 | O | 1000 | PGI-DTM-QTY-ALI-FTX-SG18-SG19-SG20-SG21-SG27-SG30-SG31-SG32-SG33-SG34-SG35-SG36 | | | |
| <p>A group of segments enabling the standard commercial factors relevant to a specific group of items to be specified. e.g. quantity related price break factors or minimum order quantity.</p> | | | | | | |
| SG36 | R | 999999 | LIN-PIA-IMD-MEA-QTY-HAN-ALI-DTM-RFF-LOC-FTX-SG37-SG38-SG40-SG41-SG47-SG48-SG51-SG52-SG54-SG55-SG56 | | | |
| 22 | PIA | O | 1 | Additional product id | | |
| To specify additional or substitutional item identification codes. | | | | | | |
| Business Term | DE | EDIFACT | Format | St | * | Description |
| | 4347 | Product identifier code qualifier | an..3 | M | * | 1 Additional identification |
| | C212 | Item number identification | | M | | |
| Suppliers article number (secondary indent.) | 7140 | Item identifier | an..35 | R | | |
| | 7143 | Item type identification code | an..3 | R | | SA Supplier's article number |
| Segmentstatus: Optional | | | | | | |
| This segment is used to advise the suppliers article number additionally to GTIN. | | | | | | |
| Example: PIA+1+7788:SA' | | | | | | |
| The product with GTIN 4056786542381 is additionally identified with suppliers article number 7788. | | | | | | |

Max. Occ. = Maximum Occurrence, St = Status, * = Restricted Codes
 Status: M=Mandatory, R=Required, O=Optional, D=Dependent, A=Advised, N=Not used

Segment Layout

Detail section

| No. Seg | St | Max. Occ. | | | | |
|---|------------|-----------------------------------|--|-----------------------|---|----------------------------------|
| SG17 | O | 1000 | PGI-DTM-QTY-ALI-FTX-SG18-SG19-SG20-SG21-SG27-SG30-SG31-SG32-SG33-SG34-SG35-SG36 | | | |
| <p>A group of segments enabling the standard commercial factors relevant to a specific group of items to be specified. e.g. quantity related price break factors or minimum order quantity.</p> | | | | | | |
| SG36 | R | 999999 | LIN-PIA-IMD-MEA-QTY-HAN-ALI-DTM-RFF-LOC-FTX-SG37-SG38-SG40-SG41-SG47-SG48-SG51-SG52-SG54-SG55-SG56 | | | |
| 23 | PIA | O | 1 | Additional product id | | |
| To specify additional or substitutional item identification codes. | | | | | | |
| Business Term | DE | EDIFACT | Format | St | * | Description |
| | 4347 | Product identifier code qualifier | an..3 | M | * | 1 Additional identification |
| | C212 | Item number identification | | M | | |
| Additional GTIN.Status R | 7140 | Item identifier | an..35 | R | | |
| | 7143 | Item type identification code | an..3 | R | * | SRV GS1 Global Trade Item Number |
| Segmentstatus: Optional | | | | | | |
| Exception: The indication of a second GTIN is not in line with the GS1 rules. | | | | | | |
| Example: PIA+1+4012345123456:SRV' GTIN 4012345123456 | | | | | | |

Max. Occ. = Maximum Occurrence, St = Status, * = Restricted Codes
 Status: M=Mandatory, R=Required, O=Optional, D=Dependent, A=Advised, N=Not used

Segment Layout

Detail section

| No. Seg | St | Max. Occ. | | | | |
|--|------------|-----------------------------------|--|-----------------------|---|--------------------------------------|
| SG17 | O | 1000 | PGI-DTM-QTY-ALI-FTX-SG18-SG19-SG20-SG21-SG27-SG30-SG31-SG32-SG33-SG34-SG35-SG36 | | | |
| A group of segments enabling the standard commercial factors relevant to a specific group of items to be specified. e.g. quantity related price break factors or minimum order quantity. | | | | | | |
| SG36 | R | 999999 | LIN-PIA-IMD-MEA-QTY-HAN-ALI-DTM-RFF-LOC-FTX-SG37-SG38-SG40-SG41-SG47-SG48-SG51-SG52-SG54-SG55-SG56 | | | |
| 24 | PIA | O | 1 | Additional product id | | |
| To specify additional or substitutional item identification codes. | | | | | | |
| Business Term | DE | EDIFACT | Format | St | * | Description |
| | 4347 | Product identifier code qualifier | an..3 | M | * | 1 Additional identification |
| | C212 | Item number identification | | M | | |
| Batch number | 7140 | Item identifier | an..35 | R | | |
| | 7143 | Item type identification code | an..3 | R | * | NB Batch number |
| | C212 | Item number identification | | O | | |
| Harmonised system | 7140 | Item identifier | an..35 | R | | |
| | 7143 | Item type identification code | an..3 | R | * | HS Harmonised system |
| | C212 | Item number identification | | O | | |
| Articles promotional variant | 7140 | Item identifier | an..35 | R | | |
| | 7143 | Item type identification code | an..3 | R | * | PV Promotional variant number |
| | C212 | Item number identification | | C | | |
| Model number | 7140 | Item identifier | an..35 | R | | |
| | 7143 | Item type identification code | an..3 | R | * | MN Model number |
| Segmentstatus: Optional | | | | | | |
| This segment is used if the previous PIA segment can not provide all relevant information. | | | | | | |
| Note: One PIA segment with five C212 or five Pia segments with one C212 each can be used in the same way, if the content of DE 4347 is identical. | | | | | | |
| Example: PIA+1+CH-5343:NB+XYZ987:HS+4012368259753:PV+ABC123:MN' | | | | | | |
| Batch number, Harmonized system, Promotional variant, model number | | | | | | |

Max. Occ. = Maximum Occurrence, St = Status, * = Restricted Codes
 Status: M=Mandatory, R=Required, O=Optional, D=Dependent, A=Advised, N=Not used

Segment Layout

Detail section

| No. Seg | St | Max. Occ. | | | | |
|--|------------|-----------------------------------|--|-----------------------|---|--|
| SG17 | O | 1000 | PGI-DTM-QTY-ALI-FTX-SG18-SG19-SG20-SG21-SG27-SG30-SG31-SG32-SG33-SG34-SG35-SG36 | | | |
| A group of segments enabling the standard commercial factors relevant to a specific group of items to be specified. e.g. quantity related price break factors or minimum order quantity. | | | | | | |
| SG36 | R | 999999 | LIN-PIA-IMD-MEA-QTY-HAN-ALI-DTM-RFF-LOC-FTX-SG37-SG38-SG40-SG41-SG47-SG48-SG51-SG52-SG54-SG55-SG56 | | | |
| 25 | PIA | O | 1 | Additional product id | | |
| To specify additional or substitutional item identification codes. | | | | | | |
| Business Term | DE | EDIFACT | Format | St | * | Description |
| | 4347 | Product identifier code qualifier | an..3 | M | * | 1 Additional identification |
| | C212 | Item number identification | | M | | |
| Class of goods MVB | 7140 | Item identifier | an..35 | R | | |
| | 7143 | Item type identification code | an..3 | R | * | GD Industry sector article group number/product classification code (GS1 Temporary Code) Classification of MVB (Germany) |
| | 1131 | Code list identification code | an..17 | R | * | BOEV BOEV (fix value) BOEV20 (see note) BOEV21 (see note) |
| | 3055 | Code list responsible agency code | an..3 | R | * | 9 GS1 |
| Segmentstatus: Optional | | | | | | |
| This segment display the classification of articles of the MVB. | | | | | | |
| Note DE 1131: The numbers behind BOEV are identical with the version of the classification of MVB. | | | | | | |
| Example: PIA+1+4711:GD:BOEV:9' The article belongs to the class of goods "4711" according the classification system of MVB, Version 2.0 | | | | | | |

Max. Occ. = Maximum Occurrence, St = Status, * = Restricted Codes
Status: M=Mandatory, R=Required, O=Optional, D=Dependent, A=Advised, N=Not used

Segment Layout

Detail section

| No. Seg | St | Max. Occ. | | | | |
|--|------------|-----------------------------------|--|-----------------------|---|--|
| SG17 | O | 1000 | PGI-DTM-QTY-ALI-FTX-SG18-SG19-SG20-SG21-SG27-SG30-SG31-SG32-SG33-SG34-SG35-SG36 | | | |
| A group of segments enabling the standard commercial factors relevant to a specific group of items to be specified. e.g. quantity related price break factors or minimum order quantity. | | | | | | |
| SG36 | R | 999999 | LIN-PIA-IMD-MEA-QTY-HAN-ALI-DTM-RFF-LOC-FTX-SG37-SG38-SG40-SG41-SG47-SG48-SG51-SG52-SG54-SG55-SG56 | | | |
| 26 | PIA | O | 1 | Additional product id | | |
| To specify additional or substitutional item identification codes. | | | | | | |
| Business Term | DE | EDIFACT | Format | St | * | Description |
| | 4347 | Product identifier code qualifier | an..3 | M | * | 1 Additional identification |
| | C212 | Item number identification | | M | | |
| Class of goods | 7140 | Item identifier | an..35 | R | | |
| | 7143 | Item type identification code | an..3 | R | * | GD Industry sector article group number/product classification code (GS1 Temporary Code) |
| | 1131 | Code list identification code | an..17 | R | * | BTE BTE (fix value) DTB DTB (fix value) FEDAS FEDAS (fix value) EAS EAS (fix value) |
| | 3055 | Code list responsible agency code | an..3 | R | * | 9 GS1 |
| Segmentstatus: Optional | | | | | | |
| This segment display the classification of articles. | | | | | | |
| Example: PIA+1+4711:GD:BTE:9' | | | | | | |
| The article belongs to the class of goods "4711" according the classification system of BTE | | | | | | |

Max. Occ. = Maximum Occurrence, St = Status, * = Restricted Codes
 Status: M=Mandatory, R=Required, O=Optional, D=Dependent, A=Advised, N=Not used

Segment Layout

Detail section

| No. Seg | St | Max. Occ. | | | | |
|---|------|-----------------------------------|--|----|---|---|
| SG17 | O | 1000 | PGI-DTM-QTY-ALI-FTX-SG18-SG19-SG20-SG21-SG27-SG30-SG31-SG32-SG33-SG34-SG35-SG36 | | | |
| <p>A group of segments enabling the standard commercial factors relevant to a specific group of items to be specified. e.g. quantity related price break factors or minimum order quantity.</p> | | | | | | |
| SG36 | R | 999999 | LIN-PIA-IMD-MEA-QTY-HAN-ALI-DTM-RFF-LOC-FTX-SG37-SG38-SG40-SG41-SG47-SG48-SG51-SG52-SG54-SG55-SG56 | | | |
| 27 | | | | | | |
| PIA | O | 1 | Additional product id | | | |
| To specify additional or substitutional item identification codes. | | | | | | |
| Business Term | DE | EDIFACT | Format | St | * | Description |
| | 4347 | Product identifier code qualifier | an..3 | M | * | 1 Additional identification |
| | C212 | Item number identification | | M | | |
| Class of goods supplier | 7140 | Item identifier | an..35 | R | | |
| | 7143 | Item type identification code | an..3 | R | * | GU Supplier's internal article group number/product classification code (GS1 Temporary Code) |
| | 1131 | Code list identification code | an..17 | N | | |
| | 3055 | Code list responsible agency code | an..3 | R | * | 9 GS1 |
| Segmentstatus: Optional | | | | | | |
| This segment is used to display the class of goods of the supplier. | | | | | | |
| Example: PIA+1+4711:GU::9' | | | | | | |
| The article belongs to the class of goods "4711" of the supplier. | | | | | | |

Max. Occ. = Maximum Occurrence, St = Status, * = Restricted Codes
 Status: M=Mandatory, R=Required, O=Optional, D=Dependent, A=Advised, N=Not used

Segment Layout

Detail section

| No. Seg | St | Max. Occ. | | | | |
|---|------------|-----------------------------------|--|-----------------------|---|----------------------------------|
| SG17 | O | 1000 | PGI-DTM-QTY-ALI-FTX-SG18-SG19-SG20-SG21-SG27-SG30-SG31-SG32-SG33-SG34-SG35-SG36 | | | |
| <p>A group of segments enabling the standard commercial factors relevant to a specific group of items to be specified. e.g. quantity related price break factors or minimum order quantity.</p> | | | | | | |
| SG36 | R | 999999 | LIN-PIA-IMD-MEA-QTY-HAN-ALI-DTM-RFF-LOC-FTX-SG37-SG38-SG40-SG41-SG47-SG48-SG51-SG52-SG54-SG55-SG56 | | | |
| 28 | PIA | O | 1 | Additional product id | | |
| To specify additional or substitutional item identification codes. | | | | | | |
| Business Term | DE | EDIFACT | Format | St | * | Description |
| | 4347 | Product identifier code qualifier | an..3 | M | * | 3 Substituted by |
| | C212 | Item number identification | | M | | |
| Replacement: GTIN | 7140 | Item identifier | an..35 | R | | |
| | 7143 | Item type identification code | an..3 | R | * | SRV GS1 Global Trade Item Number |
| Segmentstatus: Optional | | | | | | |
| This segment is used to display the replacement. | | | | | | |
| Example: PIA+3+4012345123456:SRV' | | | | | | |
| The replacement is identified by the GTIN = 4012345123456. | | | | | | |

Max. Occ. = Maximum Occurrence, St = Status, * = Restricted Codes
 Status: M=Mandatory, R=Required, O=Optional, D=Dependent, A=Advised, N=Not used

Segment Layout

Detail section

| No. Seg | St | Max. Occ. | | | | |
|---|------------|-----------------------------------|--|-----------------------|---|------------------------------|
| SG17 | O | 1000 | PGI-DTM-QTY-ALI-FTX-SG18-SG19-SG20-SG21-SG27-SG30-SG31-SG32-SG33-SG34-SG35-SG36 | | | |
| <p>A group of segments enabling the standard commercial factors relevant to a specific group of items to be specified. e.g. quantity related price break factors or minimum order quantity.</p> | | | | | | |
| SG36 | R | 999999 | LIN-PIA-IMD-MEA-QTY-HAN-ALI-DTM-RFF-LOC-FTX-SG37-SG38-SG40-SG41-SG47-SG48-SG51-SG52-SG54-SG55-SG56 | | | |
| 29 | PIA | O | 1 | Additional product id | | |
| To specify additional or substitutional item identification codes. | | | | | | |
| Business Term | DE | EDIFACT | Format | St | * | Description |
| | 4347 | Product identifier code qualifier | an..3 | M | * | 3 Substituted by |
| | C212 | Item number identification | | M | | |
| Replacement: Suppliers internal article number | 7140 | Item identifier | an..35 | R | | |
| | 7143 | Item type identification code | an..3 | R | * | SA Supplier's article number |
| Segmentstatus: Optional | | | | | | |
| This segment is used to display the replacement. | | | | | | |
| Example: PIA+3+XYZ123:SA' | | | | | | |
| The replacement is identified by the number of the supplier XYZ123. | | | | | | |

Max. Occ. = Maximum Occurrence, St = Status, * = Restricted Codes
 Status: M=Mandatory, R=Required, O=Optional, D=Dependent, A=Advised, N=Not used

Segment Layout

Detail section

| No. Seg | St | Max. Occ. | | | | |
|---|------------|-----------------------------------|--|-----------------------|---|----------------------------------|
| SG17 | O | 1000 | PGI-DTM-QTY-ALI-FTX-SG18-SG19-SG20-SG21-SG27-SG30-SG31-SG32-SG33-SG34-SG35-SG36 | | | |
| <p>A group of segments enabling the standard commercial factors relevant to a specific group of items to be specified. e.g. quantity related price break factors or minimum order quantity.</p> | | | | | | |
| SG36 | R | 999999 | LIN-PIA-IMD-MEA-QTY-HAN-ALI-DTM-RFF-LOC-FTX-SG37-SG38-SG40-SG41-SG47-SG48-SG51-SG52-SG54-SG55-SG56 | | | |
| 30 | PIA | O | 1 | Additional product id | | |
| To specify additional or substitutional item identification codes. | | | | | | |
| Business Term | DE | EDIFACT | Format | St | * | Description |
| | 4347 | Product identifier code qualifier | an..3 | M | * | 4 Substituted for |
| | C212 | Item number identification | | M | | |
| Preceding article: GTIN | 7140 | Item identifier | an..35 | R | | |
| | 7143 | Item type identification code | an..3 | R | * | SRV GS1 Global Trade Item Number |
| Segmentstatus: Optional | | | | | | |
| This segment is used to display the preceding article. | | | | | | |
| Example: PIA+4+4012345123456:SRV' | | | | | | |
| The preceding article is identified by the GTIN 4012345123456. | | | | | | |

Max. Occ. = Maximum Occurrence, St = Status, * = Restricted Codes
 Status: M=Mandatory, R=Required, O=Optional, D=Dependent, A=Advised, N=Not used

Segment Layout

Detail section

| No. Seg | St | Max. Occ. | | | | |
|--|------------|-----------------------------------|--|-----------------------|---|------------------------------|
| SG17 | O | 1000 | PGI-DTM-QTY-ALI-FTX-SG18-SG19-SG20-SG21-SG27-SG30-SG31-SG32-SG33-SG34-SG35-SG36 | | | |
| A group of segments enabling the standard commercial factors relevant to a specific group of items to be specified. e.g. quantity related price break factors or minimum order quantity. | | | | | | |
| SG36 | R | 999999 | LIN-PIA-IMD-MEA-QTY-HAN-ALI-DTM-RFF-LOC-FTX-SG37-SG38-SG40-SG41-SG47-SG48-SG51-SG52-SG54-SG55-SG56 | | | |
| 31 | PIA | O | 1 | Additional product id | | |
| To specify additional or substitutional item identification codes. | | | | | | |
| Business Term | DE | EDIFACT | Format | St | * | Description |
| | 4347 | Product identifier code qualifier | an..3 | M | * | 4 Substituted for |
| | C212 | Item number identification | | M | | |
| Preceding article: Suppliers internal article number | 7140 | Item identifier | an..35 | R | | |
| | 7143 | Item type identification code | an..3 | R | * | SA Supplier's article number |
| Segmentstatus: Optional | | | | | | |
| This segment is used to display the preceding article. | | | | | | |
| Example: PIA+4+XYZ123:SA' | | | | | | |
| The preceding article is identified by the number of the supplier XYZ123. | | | | | | |

Max. Occ. = Maximum Occurrence, St = Status, * = Restricted Codes
 Status: M=Mandatory, R=Required, O=Optional, D=Dependent, A=Advised, N=Not used

Segment Layout

Detail section

| No. Seg | St | Max. Occ. | | | | |
|---|------------|-----------------------------------|--|------------------|---|---------------------------------------|
| SG17 | O | 1000 | PGI-DTM-QTY-ALI-FTX-SG18-SG19-SG20-SG21-SG27-SG30-SG31-SG32-SG33-SG34-SG35-SG36 | | | |
| <p>A group of segments enabling the standard commercial factors relevant to a specific group of items to be specified. e.g. quantity related price break factors or minimum order quantity.</p> | | | | | | |
| SG36 | R | 999999 | LIN-PIA-IMD-MEA-QTY-HAN-ALI-DTM-RFF-LOC-FTX-SG37-SG38-SG40-SG41-SG47-SG48-SG51-SG52-SG54-SG55-SG56 | | | |
| 32 | IMD | R | 1 | Item description | | |
| <p>To describe an item in either an industry or free format.</p> | | | | | | |
| Business Term | DE | EDIFACT | Format | St | * | Description |
| | 7077 | Description format code | an..3 | R | * | F Free-form |
| | C272 | Item characteristic | | R | | |
| | 7081 | Item characteristic code | an..3 | R | * | ANM Article name (GS1 Temporary Code) |
| | 1131 | Code list identification code | an..17 | N | | |
| | 3055 | Code list responsible agency code | an..3 | R | * | 9 GS1 |
| | C273 | Item description | | R | | |
| | 7009 | Item description code | an..17 | O | | |
| | 1131 | Code list identification code | an..17 | O | | |
| | 3055 | Code list responsible agency code | an..3 | D | | |
| Name of article | 7008 | Item description | an..25 | R | | |
| | 7008 | Item description | an..25 | O | | |
| | 3453 | Language name code | an..3 | O | | |
| <p>Segmentstatus: Mandatory</p> <p>This segment is used to provide a description for the current line item.</p> <p>Example: <code>IMD+F+ANM::9+:::FASHION2009::DE'</code> Name of Artikel: Fashion2009</p> | | | | | | |

Max. Occ. = Maximum Occurrence, St = Status, * = Restricted Codes
 Status: M=Mandatory, R=Required, O=Optional, D=Dependent, A=Advised, N=Not used

Segment Layout

Detail section

| No. Seg | St | Max. Occ. | | | | |
|--|------------|-----------------------------------|--|------------------|---|------------------------------|
| SG17 | O | 1000 | PGI-DTM-QTY-ALI-FTX-SG18-SG19-SG20-SG21-SG27-SG30-SG31-SG32-SG33-SG34-SG35-SG36 | | | |
| <p>A group of segments enabling the standard commercial factors relevant to a specific group of items to be specified. e.g. quantity related price break factors or minimum order quantity.</p> | | | | | | |
| SG36 | R | 999999 | LIN-PIA-IMD-MEA-QTY-HAN-ALI-DTM-RFF-LOC-FTX-SG37-SG38-SG40-SG41-SG47-SG48-SG51-SG52-SG54-SG55-SG56 | | | |
| 33 | IMD | O | 1 | Item description | | |
| <p>To describe an item in either an industry or free format.</p> | | | | | | |
| Business Term | DE | EDIFACT | Format | St | * | Description |
| | 7077 | Description format code | an..3 | R | * | A Free-form long description |
| | C272 | Item characteristic | | N | | |
| | 7081 | Item characteristic code | an..3 | | | |
| | C273 | Item description | | R | | |
| | 7009 | Item description code | an..17 | N | | |
| | 1131 | Code list identification code | an..17 | N | | |
| | 3055 | Code list responsible agency code | an..3 | N | | |
| Article long description | 7008 | Item description | an..25 | R | | |
| | 7008 | Item description | an..25 | N | | |
| | 3453 | Language name code | an..3 | O | | ISO 639 2-Alpha Code |
| <p>Segmentstatus: Optional</p> <p>This segment is used to provide a description for the current line item.</p> <p>Example: <code>IMD+A+:::Fashion::DE'</code> Article long description: Fashion</p> | | | | | | |

Max. Occ. = Maximum Occurrence, St = Status, * = Restricted Codes
 Status: M=Mandatory, R=Required, O=Optional, D=Dependent, A=Advised, N=Not used

Segment Layout

Detail section

| No. Seg | St | Max. Occ. | | | | |
|--|------|-----------------------------------|--|----|---|---------------------------------------|
| SG17 | O | 1000 | PGI-DTM-QTY-ALI-FTX-SG18-SG19-SG20-SG21-SG27-SG30-SG31-SG32-SG33-SG34-SG35-SG36 | | | |
| <p>A group of segments enabling the standard commercial factors relevant to a specific group of items to be specified. e.g. quantity related price break factors or minimum order quantity.</p> | | | | | | |
| SG36 | R | 999999 | LIN-PIA-IMD-MEA-QTY-HAN-ALI-DTM-RFF-LOC-FTX-SG37-SG38-SG40-SG41-SG47-SG48-SG51-SG52-SG54-SG55-SG56 | | | |
| 34 | | | | | | |
| IMD | O | 1 | Item description | | | |
| <p>To describe an item in either an industry or free format.</p> | | | | | | |
| Business Term | DE | EDIFACT | Format | St | * | Description |
| | 7077 | Description format code | an..3 | R | * | D Free-form price look up |
| | C272 | Item characteristic | | R | | |
| | 7081 | Item characteristic code | an..3 | R | * | ANM Article name (GS1 Temporary Code) |
| | 1131 | Code list identification code | an..17 | N | | |
| | 3055 | Code list responsible agency code | an..3 | R | * | 9 GS1 |
| | C273 | Item description | | R | | |
| | 7009 | Item description code | an..17 | O | | |
| | 1131 | Code list identification code | an..17 | O | | |
| | 3055 | Code list responsible agency code | an..3 | D | | |
| Text on the sales slip | 7008 | Item description | an..25 | R | | |
| | 7008 | Item description | an..25 | O | | |
| | 3453 | Language name code | an..3 | O | | |
| <p>Segmentstatus: Optional</p> <p>This segment is used to provide a description for the current line item.</p> <p>Example: <code>IMD+D+ANM+:::FASHION2009:::DE'</code> The short description is "Fashion2009 (e.g. sales slip)"</p> | | | | | | |

Max. Occ. = Maximum Occurrence, St = Status, * = Restricted Codes
 Status: M=Mandatory, R=Required, O=Optional, D=Dependent, A=Advised, N=Not used

Segment Layout

Detail section

| No. Seg | St | Max. Occ. | | | | |
|---|------------|-----------------------------------|--|------------------|---|--|
| SG17 | O | 1000 | PGI-DTM-QTY-ALI-FTX-SG18-SG19-SG20-SG21-SG27-SG30-SG31-SG32-SG33-SG34-SG35-SG36 | | | |
| <p>A group of segments enabling the standard commercial factors relevant to a specific group of items to be specified. e.g. quantity related price break factors or minimum order quantity.</p> | | | | | | |
| SG36 | R | 999999 | LIN-PIA-IMD-MEA-QTY-HAN-ALI-DTM-RFF-LOC-FTX-SG37-SG38-SG40-SG41-SG47-SG48-SG51-SG52-SG54-SG55-SG56 | | | |
| 35 | IMD | O | 1 | Item description | | |
| <p>To describe an item in either an industry or free format.</p> | | | | | | |
| Business Term | DE | EDIFACT | Format | St | * | Description |
| | 7077 | Description format code | an..3 | R | * | F Free-form |
| | C272 | Item characteristic | | R | | |
| | 7081 | Item characteristic code | an..3 | R | * | 223 Brand name Old code value: BRN (Not valid anymore!) |
| | 1131 | Code list identification code | an..17 | N | | |
| | 3055 | Code list responsible agency code | an..3 | N | | |
| | C273 | Item description | | R | | |
| | 7009 | Item description code | an..17 | O | | |
| | 1131 | Code list identification code | an..17 | O | | |
| | 3055 | Code list responsible agency code | an..3 | D | | |
| Brandname | 7008 | Item description | an..25 | R | | |
| | 7008 | Item description | an..25 | O | | |
| | 3453 | Language name code | an..3 | O | | |
| Segmentstatus: Optional | | | | | | |
| Example: IMD+F+223+:::CFB FASHION::DE' | | | | | | |
| The brand name is: CFB Fashion | | | | | | |

Max. Occ. = Maximum Occurrence, St = Status, * = Restricted Codes
 Status: M=Mandatory, R=Required, O=Optional, D=Dependent, A=Advised, N=Not used

Segment Layout

Detail section

| No. Seg | St | Max. Occ. | | | | |
|--|------------|-----------------------------------|--|------------------|---|--|
| SG17 | O | 1000 | PGI-DTM-QTY-ALI-FTX-SG18-SG19-SG20-SG21-SG27-SG30-SG31-SG32-SG33-SG34-SG35-SG36 | | | |
| A group of segments enabling the standard commercial factors relevant to a specific group of items to be specified. e.g. quantity related price break factors or minimum order quantity. | | | | | | |
| SG36 | R | 999999 | LIN-PIA-IMD-MEA-QTY-HAN-ALI-DTM-RFF-LOC-FTX-SG37-SG38-SG40-SG41-SG47-SG48-SG51-SG52-SG54-SG55-SG56 | | | |
| 36 | IMD | O | 1 | Item description | | |
| To describe an item in either an industry or free format. | | | | | | |
| Business Term | DE | EDIFACT | Format | St | * | Description |
| | 7077 | Description format code | an..3 | R | * | F Free-form |
| | C272 | Item characteristic | | R | | |
| | 7081 | Item characteristic code | an..3 | R | * | XX5 Campaign name (GS1 Temporary Code) |
| | 1131 | Code list identification code | an..17 | N | | |
| | 3055 | Code list responsible agency code | an..3 | R | * | 9 GS1 |
| | C273 | Item description | | R | | |
| | 7009 | Item description code | an..17 | O | | |
| | 1131 | Code list identification code | an..17 | O | | |
| | 3055 | Code list responsible agency code | an..3 | D | | |
| Topic 7 programme | 7008 | Item description | an..25 | R | | |
| | 7008 | Item description | an..25 | N | | |
| | 3453 | Language name code | an..3 | O | | ISO 639 2-Alpha Code |
| Segmentstatus: Optional | | | | | | |
| This segment is used to provide a description for the current line item. | | | | | | |
| Example: IMD+F+XX5::9+:::Somerschlussverkauf::DE' | | | | | | |
| Name of the campaign: Somerschlussverkauf | | | | | | |

Max. Occ. = Maximum Occurrence, St = Status, * = Restricted Codes
 Status: M=Mandatory, R=Required, O=Optional, D=Dependent, A=Advised, N=Not used

Segment Layout

Detail section

| No. Seg | St | Max. Occ. | |
|--|----|-----------|--|
| SG17 | O | 1000 | PGI-DTM-QTY-ALI-FTX-SG18-SG19-SG20-SG21-SG27-SG30-SG31-SG32-SG33-SG34-SG35-SG36 |
| A group of segments enabling the standard commercial factors relevant to a specific group of items to be specified. e.g. quantity related price break factors or minimum order quantity. | | | |
| SG36 | R | 999999 | LIN-PIA-IMD-MEA-QTY-HAN-ALI-DTM-RFF-LOC-FTX-SG37-SG38-SG40-SG41-SG47-SG48-SG51-SG52-SG54-SG55-SG56 |
| 37 | | | IMD O 1 Item description |
| To describe an item in either an industry or free format. | | | |

| Business Term | DE | EDIFACT | Format | St | * | Description |
|------------------|------|-----------------------------------|--------|----|---|---------------------------------------|
| | 7077 | Description format code | an..3 | R | * | A Free-form long description |
| | C272 | Item characteristic | | R | | |
| | 7081 | Item characteristic code | an..3 | R | * | TPE Article type (GS1 Temporary Code) |
| | 1131 | Code list identification code | an..17 | N | | |
| | 3055 | Code list responsible agency code | an..3 | R | * | 9 GS1 |
| | C273 | Item description | | R | | |
| | 7009 | Item description code | an..17 | N | | |
| | 1131 | Code list identification code | an..17 | N | | |
| | 3055 | Code list responsible agency code | an..3 | N | | |
| Type description | 7008 | Item description | an..25 | R | | |
| | 7008 | Item description | an..25 | N | | |
| | 3453 | Language name code | an..3 | O | | ISO 639 2-Alpha Code |

Segmentstatus: Optional

This segment is used to provide a description for the current line item.

Example: `IMD+A+TPE::9+:::Fashion::DE'`

The model description is: Fashion

Max. Occ. = Maximum Occurrence, St = Status, * = Restricted Codes
 Status: M=Mandatory, R=Required, O=Optional, D=Dependent, A=Advised, N=Not used

Segment Layout

Detail section

| No. Seg | St | Max. Occ. | | | | |
|---|------|-------------------------------|--|----|---|--|
| SG17 | O | 1000 | PGI-DTM-QTY-ALI-FTX-SG18-SG19-SG20-SG21-SG27-SG30-SG31-SG32-SG33-SG34-SG35-SG36 | | | |
| <p>A group of segments enabling the standard commercial factors relevant to a specific group of items to be specified. e.g. quantity related price break factors or minimum order quantity.</p> | | | | | | |
| SG36 | R | 999999 | LIN-PIA-IMD-MEA-QTY-HAN-ALI-DTM-RFF-LOC-FTX-SG37-SG38-SG40-SG41-SG47-SG48-SG51-SG52-SG54-SG55-SG56 | | | |
| 38 | | | IMD | O | 1 | Item description |
| To describe an item in either an industry or free format. | | | | | | |
| Business Term | DE | EDIFACT | Format | St | * | Description |
| | 7077 | Description format code | an..3 | R | * | F Free-form |
| | C272 | Item characteristic | | R | | |
| | 7081 | Item characteristic code | an..3 | R | | 75 Artist 76 Author 77 Binding 78 Edition 80 Publisher 81 Title 82 Series title 83 Volume title 84 Composer 86 Music style BVP Volume or part number (GS1 Temporary Code) HRG Issuer (GS1 Germany) ILS Illustrator (GS1 Germany) ITP Interpreter (GS1 Germany) RGS Director (GS1 Germany) SSP Actor (GS1 Germany) NAR Speaker (GS1 Germany) TRA Translator (GS1 Germany) SYS Operating system (GS1 Germany) GEN Gerne (GS1 Germany) |
| | 1131 | Code list identification code | an..17 | O | * | MEDIA Media (fix value) This DE is only used if code value 246 is used in DE 3055. |
| | 3055 | Code list responsible | an..3 | D | * | 9 GS1 |

Max. Occ. = Maximum Occurrence, St = Status, * = Restricted Codes
 Status: M=Mandatory, R=Required, O=Optional, D=Dependent, A=Advised, N=Not used

Segment Layout

Detail section

| Business Term | DE | EDIFACT | Format | St | * | Description |
|----------------------------------|------|-----------------------------------|--------|----|---|---|
| | | agency code | | | | 246 GS1 Germany |
| | C273 | Item description | | R | | |
| | 7009 | Item description code | an..17 | O | | |
| | 1131 | Code list identification code | an..17 | O | | |
| | 3055 | Code list responsible agency code | an..3 | D | | |
| Description for check out at POS | 7008 | Item description | an..25 | R | | Use comma as separator if more than one piece of information should be displayed. |
| | 7008 | Item description | an..25 | N | | |
| | 3453 | Language name code | an..3 | O | | ISO 639 2-Alpha Code |

Segmentstatus: Optional

This segment is used to provide a description for the current line item.

Example: `IMD+F+NAR:MEDIA:246+:::Rudi Rüssel::DE'`

Narrator: Rudi Rüssel

Max. Occ. = Maximum Occurrence, St = Status, * = Restricted Codes
 Status: M=Mandatory, R=Required, O=Optional, D=Dependent, A=Advised, N=Not used

Segment Layout

Detail section

| No. Seg | St | Max. Occ. | | | | |
|---|------------|-----------------------------------|--|------------------|---|--|
| SG17 | O | 1000 | PGI-DTM-QTY-ALI-FTX-SG18-SG19-SG20-SG21-SG27-SG30-SG31-SG32-SG33-SG34-SG35-SG36 | | | |
| <p>A group of segments enabling the standard commercial factors relevant to a specific group of items to be specified. e.g. quantity related price break factors or minimum order quantity.</p> | | | | | | |
| SG36 | R | 999999 | LIN-PIA-IMD-MEA-QTY-HAN-ALI-DTM-RFF-LOC-FTX-SG37-SG38-SG40-SG41-SG47-SG48-SG51-SG52-SG54-SG55-SG56 | | | |
| 39 | IMD | O | 1 | Item description | | |
| <p>To describe an item in either an industry or free format.</p> | | | | | | |
| Business Term | DE | EDIFACT | Format | St | * | Description |
| | 7077 | Description format code | an..3 | O | * | B Code and text F Free-form |
| | C272 | Item characteristic | | R | | |
| | 7081 | Item characteristic code | an..3 | R | * | 35 Colour |
| | 1131 | Code list identification code | an..17 | N | | |
| | 3055 | Code list responsible agency code | an..3 | N | | |
| | C273 | Item description | | R | | |
| Colour, identifier | 7009 | Item description code | an..17 | D | | |
| | 1131 | Code list identification code | an..17 | O | | |
| | 3055 | Code list responsible agency code | an..3 | D | * | 92 Assigned by buyer or buyer's agent 91 Assigned by supplier or supplier's agent |
| Colour | 7008 | Item description | an..25 | R | | |
| | 7008 | Item description | an..25 | N | | |
| | 3453 | Language name code | an..3 | O | | ISO 639 2-Alpha Code |
| <p>Segmentstatus: Optional</p> <p>This segment is used to provide a description for the current line item.</p> <p>This segment is used to provide information about colour if not coded in GTIN. The colour name is given in clear text by use of code value F in DE 7077. If additionally a colour identifier is provided in DE 7009 than code value B is used for DE 7077.</p> <p>Example: IMD+B+35+Col3012::91:PINK::DE' Colour: Pink (e.g. textile)</p> | | | | | | |

Max. Occ. = Maximum Occurrence, St = Status, * = Restricted Codes
 Status: M=Mandatory, R=Required, O=Optional, D=Dependent, A=Advised, N=Not used

Segment Layout

Detail section

| No. Seg | St | Max. Occ. | | | | |
|--|------|-----------------------------------|--|----|---|--|
| SG17 | O | 1000 | PGI-DTM-QTY-ALI-FTX-SG18-SG19-SG20-SG21-SG27-SG30-SG31-SG32-SG33-SG34-SG35-SG36 | | | |
| <p>A group of segments enabling the standard commercial factors relevant to a specific group of items to be specified. e.g. quantity related price break factors or minimum order quantity.</p> | | | | | | |
| SG36 | R | 999999 | LIN-PIA-IMD-MEA-QTY-HAN-ALI-DTM-RFF-LOC-FTX-SG37-SG38-SG40-SG41-SG47-SG48-SG51-SG52-SG54-SG55-SG56 | | | |
| 40 | | | | | | |
| IMD | O | 1 | Item description | | | |
| To describe an item in either an industry or free format. | | | | | | |
| Business Term | DE | EDIFACT | Format | St | * | Description |
| | 7077 | Description format code | an..3 | O | * | B Code and text F Free-form |
| | C272 | Item characteristic | | R | | |
| | 7081 | Item characteristic code | an..3 | R | * | SGR Size grid (GS1 Temporary Code) alternatively: 98 Size only non-numeric values |
| | 1131 | Code list identification code | an..17 | N | | |
| | 3055 | Code list responsible agency code | an..3 | D | * | 9 GS1 Must be used if DE 7081 contains a GS1 Code. |
| | C273 | Item description | | R | | |
| Size, identifier | 7009 | Item description code | an..17 | D | | |
| | 1131 | Code list identification code | an..17 | N | | |
| | 3055 | Code list responsible agency code | an..3 | D | * | 92 Assigned by buyer or buyer's agent 91 Assigned by supplier or supplier's agent |
| Size, description | 7008 | Item description | an..25 | R | | |
| | 7008 | Item description | an..25 | N | | |
| | 3453 | Language name code | an..3 | O | | ISO 639 2-Alpha Code |
| Segmentstatus: Optional | | | | | | |
| This segment is used to provide a description for the current line item. | | | | | | |
| This segment provides information about size if not coded in GTIN. The size name is given in clear text by use of code value F in DE 7077. If additionally a size identifier is provided in DE 7009 than code value B is used for DE 7077. | | | | | | |
| Example: IMD+B+SGR::9+XXS:::91:Extra small:::DE' Size: XXS | | | | | | |

Max. Occ. = Maximum Occurrence, St = Status, * = Restricted Codes
Status: M=Mandatory, R=Required, O=Optional, D=Dependent, A=Advised, N=Not used

Segment Layout

Detail section

| No. Seg | St | Max. Occ. | | | | |
|---|------------|-----------------------------------|--|----|---|---|
| SG17 | O | 1000 | PGI-DTM-QTY-ALI-FTX-SG18-SG19-SG20-SG21-SG27-SG30-SG31-SG32-SG33-SG34-SG35-SG36 | | | |
| <p>A group of segments enabling the standard commercial factors relevant to a specific group of items to be specified. e.g. quantity related price break factors or minimum order quantity.</p> | | | | | | |
| SG36 | R | 999999 | LIN-PIA-IMD-MEA-QTY-HAN-ALI-DTM-RFF-LOC-FTX-SG37-SG38-SG40-SG41-SG47-SG48-SG51-SG52-SG54-SG55-SG56 | | | |
| 41 | IMD | O 1 | Item description | | | |
| To describe an item in either an industry or free format. | | | | | | |
| Business Term | DE | EDIFACT | Format | St | * | Description |
| | 7077 | Description format code | an..3 | R | * | A Free-form long description |
| | C272 | Item characteristic | | R | | |
| | 7081 | Item characteristic code | an..3 | R | | UP5 Width or fitting (GS1 Temporary Code) |
| | 1131 | Code list identification code | an..17 | N | | |
| | 3055 | Code list responsible agency code | an..3 | D | * | 9 GS1 |
| | C273 | Item description | | R | | |
| | 7009 | Item description code | an..17 | N | | |
| | 1131 | Code list identification code | an..17 | N | | |
| | 3055 | Code list responsible agency code | an..3 | N | | |
| Correct fit | 7008 | Item description | an..25 | R | | |
| <p>Segmentstatus: Optional</p> <p>This segment is used to provide the correct fit additionally to the size.</p> <p>Example: IMD+A+UP5::9+:::B' Cup B</p> | | | | | | |

Max. Occ. = Maximum Occurrence, St = Status, * = Restricted Codes
 Status: M=Mandatory, R=Required, O=Optional, D=Dependent, A=Advised, N=Not used

Segment Layout

Detail section

| No. Seg | St | Max. Occ. | | | | |
|--|------|-----------------------------------|--|----|---|--|
| SG17 | O | 1000 | PGI-DTM-QTY-ALI-FTX-SG18-SG19-SG20-SG21-SG27-SG30-SG31-SG32-SG33-SG34-SG35-SG36 | | | |
| A group of segments enabling the standard commercial factors relevant to a specific group of items to be specified. e.g. quantity related price break factors or minimum order quantity. | | | | | | |
| SG36 | R | 999999 | LIN-PIA-IMD-MEA-QTY-HAN-ALI-DTM-RFF-LOC-FTX-SG37-SG38-SG40-SG41-SG47-SG48-SG51-SG52-SG54-SG55-SG56 | | | |
| 42 | | | IMD O 1 Item description | | | |
| To describe an item in either an industry or free format. | | | | | | |
| Business Term | DE | EDIFACT | Format | St | * | Description |
| | 7077 | Description format code | an..3 | R | * | C Code (from industry code list) |
| | C272 | Item characteristic | | R | | |
| | 7081 | Item characteristic code | an..3 | R | * | XX8 Target Consumer Age (GS1 Temporary Code) |
| | 1131 | Code list identification code | an..17 | N | | |
| | 3055 | Code list responsible agency code | an..3 | R | * | 9 GS1 |
| | C273 | Item description | | R | | |
| Article long description | 7009 | Item description code | an..17 | O | | A00 No target consumer age (GS1 Germany) A06 Approved from, years (GS1 Germany) A12 Approved from 12 years (GS1 Germany) A16 Approved from 16 years (GS1 Germany) A18 Approved from 18 years (GS1 Germany) |
| | 1131 | Code list identification code | an..17 | N | | |
| | 3055 | Code list responsible agency code | an..3 | R | * | 246 GS1 Germany |
| Segmentstatus: Optional | | | | | | |
| This segment is used to provide a description for the current line item. | | | | | | |
| Example: IMD+C+XX8::9+A00::246' The item contains a target consumer age. | | | | | | |

Max. Occ. = Maximum Occurrence, St = Status, * = Restricted Codes
 Status: M=Mandatory, R=Required, O=Optional, D=Dependent, A=Advised, N=Not used

Segment Layout

Detail section

| No. Seg | St | Max. Occ. | | | | |
|--|------------|-----------------------------------|--|------------------|---|--|
| SG17 | O | 1000 | PGI-DTM-QTY-ALI-FTX-SG18-SG19-SG20-SG21-SG27-SG30-SG31-SG32-SG33-SG34-SG35-SG36 | | | |
| A group of segments enabling the standard commercial factors relevant to a specific group of items to be specified. e.g. quantity related price break factors or minimum order quantity. | | | | | | |
| SG36 | R | 999999 | LIN-PIA-IMD-MEA-QTY-HAN-ALI-DTM-RFF-LOC-FTX-SG37-SG38-SG40-SG41-SG47-SG48-SG51-SG52-SG54-SG55-SG56 | | | |
| 43 | IMD | R | 1 | Item description | | |
| To describe an item in either an industry or free format. | | | | | | |
| Business Term | DE | EDIFACT | Format | St | * | Description |
| | 7077 | Description format code | an..3 | R | * | C Code (from industry code list) |
| | C272 | Item characteristic | | N | | |
| | 7081 | Item characteristic code | an..3 | | | |
| | C273 | Item description | | R | | |
| Ordering unit, yes/no | 7009 | Item description code | an..17 | R | * | NO Not an ordering unit (GS1 Permanent Code) ORU Ordering unit (GS1 Permanent Code) |
| | 1131 | Code list identification code | an..17 | N | | |
| | 3055 | Code list responsible agency code | an..3 | R | * | 9 GS1 |
| Segmentstatus: Mandatory | | | | | | |
| This segment is used to provide a description for the current line item. | | | | | | |
| Example: IMD+C++ORU::9' The article is an ordering unit. | | | | | | |

Max. Occ. = Maximum Occurrence, St = Status, * = Restricted Codes
 Status: M=Mandatory, R=Required, O=Optional, D=Dependent, A=Advised, N=Not used

Segment Layout

Detail section

| No. Seg | St | Max. Occ. | | | | |
|--|------------|-----------------------------------|--|------------------|---|---|
| SG17 | O | 1000 | PGI-DTM-QTY-ALI-FTX-SG18-SG19-SG20-SG21-SG27-SG30-SG31-SG32-SG33-SG34-SG35-SG36 | | | |
| A group of segments enabling the standard commercial factors relevant to a specific group of items to be specified. e.g. quantity related price break factors or minimum order quantity. | | | | | | |
| SG36 | R | 999999 | LIN-PIA-IMD-MEA-QTY-HAN-ALI-DTM-RFF-LOC-FTX-SG37-SG38-SG40-SG41-SG47-SG48-SG51-SG52-SG54-SG55-SG56 | | | |
| 44 | IMD | R | 1 | Item description | | |
| To describe an item in either an industry or free format. | | | | | | |
| Business Term | DE | EDIFACT | Format | St | * | Description |
| | 7077 | Description format code | an..3 | R | * | C Code (from industry code list) |
| | C272 | Item characteristic | | N | | |
| | 7081 | Item characteristic code | an..3 | | | |
| | C273 | Item description | | R | | |
| Delivery unit, yes/no | 7009 | Item description code | an..17 | R | * | DU Despatch unit (GS1 Permanent Code) NDU Not a despatch unit (GS1 Permanent Code) |
| | 1131 | Code list identification code | an..17 | N | | |
| | 3055 | Code list responsible agency code | an..3 | R | * | 9 GS1 |
| Segmentstatus: Mandatory | | | | | | |
| This segment is used to provide a description for the current line item. | | | | | | |
| Example: IMD+C++DU: :9' The article is a despatch unit. | | | | | | |

Max. Occ. = Maximum Occurrence, St = Status, * = Restricted Codes
 Status: M=Mandatory, R=Required, O=Optional, D=Dependent, A=Advised, N=Not used

Segment Layout

Detail section

| No. Seg | St | Max. Occ. | | | | |
|--|------------|-----------------------------------|--|------------------|---|--|
| SG17 | O | 1000 | PGI-DTM-QTY-ALI-FTX-SG18-SG19-SG20-SG21-SG27-SG30-SG31-SG32-SG33-SG34-SG35-SG36 | | | |
| A group of segments enabling the standard commercial factors relevant to a specific group of items to be specified. e.g. quantity related price break factors or minimum order quantity. | | | | | | |
| SG36 | R | 999999 | LIN-PIA-IMD-MEA-QTY-HAN-ALI-DTM-RFF-LOC-FTX-SG37-SG38-SG40-SG41-SG47-SG48-SG51-SG52-SG54-SG55-SG56 | | | |
| 45 | IMD | R | 1 | Item description | | |
| To describe an item in either an industry or free format. | | | | | | |
| Business Term | DE | EDIFACT | Format | St | * | Description |
| | 7077 | Description format code | an..3 | R | * | C Code (from industry code list) |
| | C272 | Item characteristic | | N | | |
| | 7081 | Item characteristic code | an..3 | | | |
| | C273 | Item description | | R | | |
| Smallest unit, yes/no | 7009 | Item description code | an..17 | R | * | NS Not smallest unit (GS1 Permanent Code) SU Smallest unit (GS1 Permanent Code) |
| | 1131 | Code list identification code | an..17 | N | | |
| | 3055 | Code list responsible agency code | an..3 | R | * | 9 GS1 |
| Segmentstatus: Mandatory | | | | | | |
| This segment is used to provide a description for the current line item. | | | | | | |
| Example: IMD+C++SU: :9' The article is the smallest unit. | | | | | | |

Max. Occ. = Maximum Occurrence, St = Status, * = Restricted Codes
 Status: M=Mandatory, R=Required, O=Optional, D=Dependent, A=Advised, N=Not used

Segment Layout

Detail section

| No. Seg | St | Max. Occ. | | | | |
|---|------------|-----------------------------------|--|------------------|---|---|
| SG17 | O | 1000 | PGI-DTM-QTY-ALI-FTX-SG18-SG19-SG20-SG21-SG27-SG30-SG31-SG32-SG33-SG34-SG35-SG36 | | | |
| <p>A group of segments enabling the standard commercial factors relevant to a specific group of items to be specified. e.g. quantity related price break factors or minimum order quantity.</p> | | | | | | |
| SG36 | R | 999999 | LIN-PIA-IMD-MEA-QTY-HAN-ALI-DTM-RFF-LOC-FTX-SG37-SG38-SG40-SG41-SG47-SG48-SG51-SG52-SG54-SG55-SG56 | | | |
| 46 | IMD | R | 1 | Item description | | |
| <p>To describe an item in either an industry or free format.</p> | | | | | | |
| Business Term | DE | EDIFACT | Format | St | * | Description |
| | 7077 | Description format code | an..3 | R | * | C Code (from industry code list) |
| | C272 | Item characteristic | | N | | |
| | 7081 | Item characteristic code | an..3 | | | |
| | C273 | Item description | | R | | |
| Consumer unit, yes/no | 7009 | Item description code | an..17 | R | * | CU Consumer unit (GS1 Permanent Code) NCU Not a consumer unit (GS1 Permanent Code) |
| | 1131 | Code list identification code | an..17 | N | | |
| | 3055 | Code list responsible agency code | an..3 | R | * | 9 GS1 |
| <p>Segmentstatus: Mandatory</p> <p>This segment is used to provide a description for the current line item.</p> <p>Example: IMD+C++CU::9' The article is the consumer unit.</p> | | | | | | |

Max. Occ. = Maximum Occurrence, St = Status, * = Restricted Codes
 Status: M=Mandatory, R=Required, O=Optional, D=Dependent, A=Advised, N=Not used

Segment Layout

Detail section

| No. Seg | St | Max. Occ. | | | | |
|---|------------|-----------------------------------|--|------------------|---|---|
| SG17 | O | 1000 | PGI-DTM-QTY-ALI-FTX-SG18-SG19-SG20-SG21-SG27-SG30-SG31-SG32-SG33-SG34-SG35-SG36 | | | |
| <p>A group of segments enabling the standard commercial factors relevant to a specific group of items to be specified. e.g. quantity related price break factors or minimum order quantity.</p> | | | | | | |
| SG36 | R | 999999 | LIN-PIA-IMD-MEA-QTY-HAN-ALI-DTM-RFF-LOC-FTX-SG37-SG38-SG40-SG41-SG47-SG48-SG51-SG52-SG54-SG55-SG56 | | | |
| 47 | IMD | R | 1 | Item description | | |
| <p>To describe an item in either an industry or free format.</p> | | | | | | |
| Business Term | DE | EDIFACT | Format | St | * | Description |
| | 7077 | Description format code | an..3 | R | * | C Code (from industry code list) |
| | C272 | Item characteristic | | N | | |
| | 7081 | Item characteristic code | an..3 | | | |
| | C273 | Item description | | R | | |
| NOS article, yes/no | 7009 | Item description code | an..17 | R | * | NOS Yes, NOS item (GS1 Permanent Code) NOT Not, not an NOS item (GS1 Permanent Code) |
| | 1131 | Code list identification code | an..17 | N | | |
| | 3055 | Code list responsible agency code | an..3 | R | * | 9 GS1 |
| <p>Segmentstatus: Mandatory</p> <p>This segment is used to provide a description for the current line item.</p> <p>Example: IMD+C++NOS::9' The article is NOS.</p> | | | | | | |

Max. Occ. = Maximum Occurrence, St = Status, * = Restricted Codes
 Status: M=Mandatory, R=Required, O=Optional, D=Dependent, A=Advised, N=Not used

Segment Layout

Detail section

| No. Seg | St | Max. Occ. | | | | |
|--|------|-----------------------------------|--|----|---|---|
| SG17 | O | 1000 | PGI-DTM-QTY-ALI-FTX-SG18-SG19-SG20-SG21-SG27-SG30-SG31-SG32-SG33-SG34-SG35-SG36 | | | |
| A group of segments enabling the standard commercial factors relevant to a specific group of items to be specified. e.g. quantity related price break factors or minimum order quantity. | | | | | | |
| SG36 | R | 999999 | LIN-PIA-IMD-MEA-QTY-HAN-ALI-DTM-RFF-LOC-FTX-SG37-SG38-SG40-SG41-SG47-SG48-SG51-SG52-SG54-SG55-SG56 | | | |
| 48 | | | IMD O 1 Item description | | | |
| To describe an item in either an industry or free format. | | | | | | |
| Business Term | DE | EDIFACT | Format | St | * | Description |
| | 7077 | Description format code | an..3 | R | * | C Code (from industry code list) |
| | C272 | Item characteristic | | N | | |
| | 7081 | Item characteristic code | an..3 | | | |
| | C273 | Item description | | A | | |
| Display | 7009 | Item description code | an..17 | R | * | SG Standard group of products (mixed assortment) (GS1 Permanent Code) |
| | 1131 | Code list identification code | an..17 | N | | |
| | 3055 | Code list responsible agency code | an..3 | R | * | 9 GS1 |
| Segmentstatus: Optional | | | | | | |
| This segment is only used when the article indicated in the LIN segment is a display/mixed assortment. | | | | | | |
| Example: IMD+C++SG: :9' Display, it is an assortment unit. | | | | | | |

Max. Occ. = Maximum Occurrence, St = Status, * = Restricted Codes
 Status: M=Mandatory, R=Required, O=Optional, D=Dependent, A=Advised, N=Not used

Segment Layout

Detail section

| No. Seg | St | Max. Occ. | | | | |
|--|------|-----------------------------------|--|----|---|---|
| SG17 | O | 1000 | PGI-DTM-QTY-ALI-FTX-SG18-SG19-SG20-SG21-SG27-SG30-SG31-SG32-SG33-SG34-SG35-SG36 | | | |
| A group of segments enabling the standard commercial factors relevant to a specific group of items to be specified. e.g. quantity related price break factors or minimum order quantity. | | | | | | |
| SG36 | R | 999999 | LIN-PIA-IMD-MEA-QTY-HAN-ALI-DTM-RFF-LOC-FTX-SG37-SG38-SG40-SG41-SG47-SG48-SG51-SG52-SG54-SG55-SG56 | | | |
| 49 | | | IMD O 1 Item description | | | |
| To describe an item in either an industry or free format. | | | | | | |
| Business Term | DE | EDIFACT | Format | St | * | Description |
| | 7077 | Description format code | an..3 | R | * | C Code (from industry code list) |
| | C272 | Item characteristic | | R | | |
| | 7081 | Item characteristic code | an..3 | R | * | XX7 Season parameter (GS1 Temporary Code) |
| | 1131 | Code list identification code | an..17 | N | | |
| | 3055 | Code list responsible agency code | an..3 | R | * | 9 GS1 |
| | C273 | Item description | | R | | |
| Season parameter | 7009 | Item description code | an..17 | R | | See note below |
| | 1131 | Code list identification code | an..17 | N | | |
| | 3055 | Code list responsible agency code | an..3 | R | * | 9 GS1 246 GS1 Germany |
| Segmentstatus: Optional | | | | | | |
| Example: IMD+C+XX7:::9+9991:::9' | | | | | | |

Max. Occ. = Maximum Occurrence, St = Status, * = Restricted Codes
 Status: M=Mandatory, R=Required, O=Optional, D=Dependent, A=Advised, N=Not used

Segment Layout

Detail section

| No. Seg | St | Max. Occ. | | | | |
|---|------------|------------------------------------|--|--------------|---|---|
| SG17 | O | 1000 | PGI-DTM-QTY-ALI-FTX-SG18-SG19-SG20-SG21-SG27-SG30-SG31-SG32-SG33-SG34-SG35-SG36 | | | |
| <p>A group of segments enabling the standard commercial factors relevant to a specific group of items to be specified. e.g. quantity related price break factors or minimum order quantity.</p> | | | | | | |
| SG36 | R | 999999 | LIN-PIA-IMD-MEA-QTY-HAN-ALI-DTM-RFF-LOC-FTX-SG37-SG38-SG40-SG41-SG47-SG48-SG51-SG52-SG54-SG55-SG56 | | | |
| 50 | MEA | O | 1 | Measurements | | |
| <p>To specify physical measurements, including dimension tolerances, weights and counts.</p> | | | | | | |
| Business Term | DE | EDIFACT | Format | St | * | Description |
| | 6311 | Measurement purpose code qualifier | an..3 | M | * | PD Physical dimensions (product ordered) |
| | C502 | Measurement details | | A | | |
| | 6313 | Measured attribute code | an..3 | A | | HT Height dimension WD Width dimension LN Length dimension |
| | 6321 | Measurement significance code | an..3 | O | | |
| | 6155 | Non-discrete measurement name code | an..17 | O | | |
| | 6154 | Non-discrete measurement name | an..70 | N | | |
| | C174 | Value/range | | A | | |
| | 6411 | Measurement unit code | an..3 | M | | MMT millimetre MTR metre All code values from EANCOM code list 6411 and UN/ECE Recommendation 20 code list available. |
| Measurements | 6314 | Measurement value | an..18 | O | | |
| <p>Segmentstatus: Optional</p> <p>This segment is used to provide measurements.</p> <p>Example: MEA+PD+HT+MMT:1050' The height is 1050 mm</p> | | | | | | |

Max. Occ. = Maximum Occurrence, St = Status, * = Restricted Codes
 Status: M=Mandatory, R=Required, O=Optional, D=Dependent, A=Advised, N=Not used

Segment Layout

Detail section

| No. Seg | St | Max. Occ. | | | | |
|---|------|------------------------------------|--|----|---|--|
| SG17 | O | 1000 | PGI-DTM-QTY-ALI-FTX-SG18-SG19-SG20-SG21-SG27-SG30-SG31-SG32-SG33-SG34-SG35-SG36 | | | |
| <p>A group of segments enabling the standard commercial factors relevant to a specific group of items to be specified. e.g. quantity related price break factors or minimum order quantity.</p> | | | | | | |
| SG36 | R | 999999 | LIN-PIA-IMD-MEA-QTY-HAN-ALI-DTM-RFF-LOC-FTX-SG37-SG38-SG40-SG41-SG47-SG48-SG51-SG52-SG54-SG55-SG56 | | | |
| 51 | | | MEA O 1 Measurements | | | |
| <p>To specify physical measurements, including dimension tolerances, weights and counts.</p> | | | | | | |
| Business Term | DE | EDIFACT | Format | St | * | Description |
| | 6311 | Measurement purpose code qualifier | an..3 | M | * | AAI Item weight |
| | C502 | Measurement details | | A | | |
| | 6313 | Measured attribute code | an..3 | A | | AAA Unit net weight |
| | 6321 | Measurement significance code | an..3 | O | | |
| | 6155 | Non-discrete measurement name code | an..17 | O | | |
| | 6154 | Non-discrete measurement name | an..70 | N | | |
| | C174 | Value/range | | A | | |
| | 6411 | Measurement unit code | an..3 | M | | GRM gram KGM kilogram All code values from EANCOM code list 6411 and UN/ECE Recommendation 20 code list available. |
| Net weight | 6314 | Measurement value | an..18 | O | | |
| <p>Segmentstatus: Optional</p> <p>This segment is used to provide the net weight.</p> <p>Example: MEA+AAI+AAA+KGM: 5' The net weight is 5 kg.</p> | | | | | | |

Max. Occ. = Maximum Occurrence, St = Status, * = Restricted Codes
 Status: M=Mandatory, R=Required, O=Optional, D=Dependent, A=Advised, N=Not used

Segment Layout

Detail section

| No. Seg | St | Max. Occ. | | | | |
|---|------|------------------------------------|--|----|---|--|
| SG17 | O | 1000 | PGI-DTM-QTY-ALI-FTX-SG18-SG19-SG20-SG21-SG27-SG30-SG31-SG32-SG33-SG34-SG35-SG36 | | | |
| <p>A group of segments enabling the standard commercial factors relevant to a specific group of items to be specified. e.g. quantity related price break factors or minimum order quantity.</p> | | | | | | |
| SG36 | R | 999999 | LIN-PIA-IMD-MEA-QTY-HAN-ALI-DTM-RFF-LOC-FTX-SG37-SG38-SG40-SG41-SG47-SG48-SG51-SG52-SG54-SG55-SG56 | | | |
| 52 | | | | | | |
| MEA | O | 1 | Measurements | | | |
| <p>To specify physical measurements, including dimension tolerances, weights and counts.</p> | | | | | | |
| Business Term | DE | EDIFACT | Format | St | * | Description |
| | 6311 | Measurement purpose code qualifier | an..3 | M | * | AAI Item weight |
| | C502 | Measurement details | | A | | |
| | 6313 | Measured attribute code | an..3 | A | * | AAB Unit gross weight |
| | 6321 | Measurement significance code | an..3 | O | | |
| | 6155 | Non-discrete measurement name code | an..17 | O | | |
| | 6154 | Non-discrete measurement name | an..70 | N | | |
| | C174 | Value/range | | A | | |
| | 6411 | Measurement unit code | an..3 | M | | GRM gram KGM kilogram All code values from EANCOM code list 6411 and UN/ECE Recommendation 20 code list available. |
| Gross weight | 6314 | Measurement value | an..18 | O | | |
| <p>Segmentstatus: Optional</p> <p>This segment is used to provide the gross weight.</p> <p>Example: MEA+AAI+AAB+KGM: 5' The gross weight is 5 kg.</p> | | | | | | |

Max. Occ. = Maximum Occurrence, St = Status, * = Restricted Codes
 Status: M=Mandatory, R=Required, O=Optional, D=Dependent, A=Advised, N=Not used

Segment Layout

Detail section

| No. Seg | St | Max. Occ. | | | | |
|--|------|------------------------------|--|----|---|-----------------------------------|
| SG17 | O | 1000 | PGI-DTM-QTY-ALI-FTX-SG18-SG19-SG20-SG21-SG27-SG30-SG31-SG32-SG33-SG34-SG35-SG36 | | | |
| <p>A group of segments enabling the standard commercial factors relevant to a specific group of items to be specified. e.g. quantity related price break factors or minimum order quantity.</p> | | | | | | |
| SG36 | R | 999999 | LIN-PIA-IMD-MEA-QTY-HAN-ALI-DTM-RFF-LOC-FTX-SG37-SG38-SG40-SG41-SG47-SG48-SG51-SG52-SG54-SG55-SG56 | | | |
| 53 | | | QTY | O | 1 | Quantity |
| <p>To specify a pertinent quantity.</p> | | | | | | |
| Business Term | DE | EDIFACT | Format | St | * | Description |
| | C186 | Quantity details | | M | | |
| | 6063 | Quantity type code qualifier | an..3 | M | * | 53 Minimum order quantity |
| Smallest Order Quantity | 6060 | Quantity | an..35 | M | | Note: Use only numeric values. |
| <p>Segmentstatus: Optional</p> <p>The QTY segment is used to specify the smallest order quantity for the current line item, which was identified in the LIN segment.</p> <p>Example: QTY+53:20'</p> <p>The smallest ordered quantity amounts to 20 pieces of the article no. described in the LIN segment. (GTIN).</p> | | | | | | |

Max. Occ. = Maximum Occurrence, St = Status, * = Restricted Codes
 Status: M=Mandatory, R=Required, O=Optional, D=Dependent, A=Advised, N=Not used

Segment Layout

Detail section

| No. Seg | St | Max. Occ. | | | | |
|---|------|------------------------------|--|----|---|---------------------------------------|
| SG17 | O | 1000 | PGI-DTM-QTY-ALI-FTX-SG18-SG19-SG20-SG21-SG27-SG30-SG31-SG32-SG33-SG34-SG35-SG36 | | | |
| <p>A group of segments enabling the standard commercial factors relevant to a specific group of items to be specified. e.g. quantity related price break factors or minimum order quantity.</p> | | | | | | |
| SG36 | R | 999999 | LIN-PIA-IMD-MEA-QTY-HAN-ALI-DTM-RFF-LOC-FTX-SG37-SG38-SG40-SG41-SG47-SG48-SG51-SG52-SG54-SG55-SG56 | | | |
| 54 | | | QTY | O | 1 | Quantity |
| <p>To specify a pertinent quantity.</p> | | | | | | |
| Business Term | DE | EDIFACT | Format | St | * | Description |
| | C186 | Quantity details | | M | | |
| | 6063 | Quantity type code qualifier | an..3 | M | * | 251 Incremental order quantity |
| Incremental order quantity | 6060 | Quantity | an..35 | M | | Note: Use only numeric values. |
| <p>Segmentstatus: Optional</p> <p>The QTY segment is used to specify the incremental order quantity for the current line item, which was identified in the LIN segment.</p> <p>Example: QTY+251:20'</p> <p>The subset quantity of the ordered article no. (GTIN) described in the LIN segment equals 20 pieces. Any higher multiple of 20 may be ordered.</p> | | | | | | |

Max. Occ. = Maximum Occurrence, St = Status, * = Restricted Codes
 Status: M=Mandatory, R=Required, O=Optional, D=Dependent, A=Advised, N=Not used

Segment Layout

Heading section

| No. Seg | St | Max. Occ. | | | | |
|--|------|-----------------------------|--|----|---|---|
| SG17 | O | 1000 | PGI-DTM-QTY-ALI-FTX-SG18-SG19-SG20-SG21-SG27-SG30-SG31-SG32-SG33-SG34-SG35-SG36 | | | |
| A group of segments enabling the standard commercial factors relevant to a specific group of items to be specified. e.g. quantity related price break factors or minimum order quantity. | | | | | | |
| SG36 | R | 999999 | LIN-PIA-IMD-MEA-QTY-HAN-ALI-DTM-RFF-LOC-FTX-SG37-SG38-SG40-SG41-SG47-SG48-SG51-SG52-SG54-SG55-SG56 | | | |
| 55 | | | | | | |
| ALI | O | 1 | Additional information | | | |
| To indicate that special conditions due to the origin, customs preference, fiscal or commercial factors are applicable. | | | | | | |
| Business Term | DE | EDIFACT | Format | St | * | Description |
| | 3239 | Country of origin name code | an..3 | N | | |
| | 9213 | Duty regime type code | an..3 | N | | |
| Returnability no | 4183 | Special condition code | an..3 | R | * | 193 Unsold trade item not returnable |
| Segmentstatus: Depending, mandatory if article is not returnable. | | | | | | |
| This segment shows if a trade item must not be returned. | | | | | | |
| Example: ALI+++193' Unsold trade items are not returnable. | | | | | | |

Max. Occ. = Maximum Occurrence, St = Status, * = Restricted Codes
 Status: M=Mandatory, R=Required, O=Optional, D=Dependent, A=Advised, N=Not used

Segment Layout

Detail section

| No. Seg | St | Max. Occ. | | | | |
|--|------------|-----------------------------|--|----|---|--|
| SG17 | O | 1000 | PGI-DTM-QTY-ALI-FTX-SG18-SG19-SG20-SG21-SG27-SG30-SG31-SG32-SG33-SG34-SG35-SG36 | | | |
| A group of segments enabling the standard commercial factors relevant to a specific group of items to be specified. e.g. quantity related price break factors or minimum order quantity. | | | | | | |
| SG36 | R | 999999 | LIN-PIA-IMD-MEA-QTY-HAN-ALI-DTM-RFF-LOC-FTX-SG37-SG38-SG40-SG41-SG47-SG48-SG51-SG52-SG54-SG55-SG56 | | | |
| 56 | ALI | O 1 | Additional information | | | |
| To indicate that special conditions due to the origin, customs preference, fiscal or commercial factors are applicable. | | | | | | |
| Business Term | DE | EDIFACT | Format | St | * | Description |
| | 3239 | Country of origin name code | an..3 | N | | |
| | 9213 | Duty regime type code | an..3 | N | | |
| Not subject to bonus | 4183 | Special condition code | an..3 | R | | 5 Item not to be included in bonus calculation |
| Segmentstatus: Depending, mandatory if the article is not applicable for bonus calculation. | | | | | | |
| Example: ALI+++5' Item concerned is not applicable for bonus calculation. | | | | | | |

Max. Occ. = Maximum Occurrence, St = Status, * = Restricted Codes
 Status: M=Mandatory, R=Required, O=Optional, D=Dependent, A=Advised, N=Not used

Segment Layout

Detail section

| No. Seg | St | Max. Occ. | | | | |
|---|------|-----------------------------|--|----|---|-------------|
| SG17 | O | 1000 | PGI-DTM-QTY-ALI-FTX-SG18-SG19-SG20-SG21-SG27-SG30-SG31-SG32-SG33-SG34-SG35-SG36 | | | |
| <p>A group of segments enabling the standard commercial factors relevant to a specific group of items to be specified. e.g. quantity related price break factors or minimum order quantity.</p> | | | | | | |
| SG36 | R | 999999 | LIN-PIA-IMD-MEA-QTY-HAN-ALI-DTM-RFF-LOC-FTX-SG37-SG38-SG40-SG41-SG47-SG48-SG51-SG52-SG54-SG55-SG56 | | | |
| 57 | | | | | | |
| ALI | O | 1 | Additional information | | | |
| <p>To indicate that special conditions due to the origin, customs preference, fiscal or commercial factors are applicable.</p> | | | | | | |
| Business Term | DE | EDIFACT | Format | St | * | Description |
| County of origin | 3239 | Country of origin name code | an..3 | R | | |
| Segmentstatus: Optional | | | | | | |
| Example: ALI+DE ' Country of origin is Germany. | | | | | | |

Max. Occ. = Maximum Occurrence, St = Status, * = Restricted Codes
 Status: M=Mandatory, R=Required, O=Optional, D=Dependent, A=Advised, N=Not used

Segment Layout

Detail section

| No. Seg | St | Max. Occ. | | | | |
|---|------------|-----------------------------|--|----|---|--|
| SG17 | O | 1000 | PGI-DTM-QTY-ALI-FTX-SG18-SG19-SG20-SG21-SG27-SG30-SG31-SG32-SG33-SG34-SG35-SG36 | | | |
| <p>A group of segments enabling the standard commercial factors relevant to a specific group of items to be specified. e.g. quantity related price break factors or minimum order quantity.</p> | | | | | | |
| SG36 | R | 999999 | LIN-PIA-IMD-MEA-QTY-HAN-ALI-DTM-RFF-LOC-FTX-SG37-SG38-SG40-SG41-SG47-SG48-SG51-SG52-SG54-SG55-SG56 | | | |
| 58 | ALI | O 1 | Additional information | | | |
| <p>To indicate that special conditions due to the origin, customs preference, fiscal or commercial factors are applicable.</p> | | | | | | |
| Business Term | DE | EDIFACT | Format | St | * | Description |
| | 3239 | Country of origin name code | an..3 | N | | |
| | 9213 | Duty regime type code | an..3 | N | | |
| Not subject to automated processes | 4183 | Special condition code | an..3 | R | * | 132 Not subject to automated processes |
| <p>Segmentstatus: Muss</p> <p>Example: ALI+++132' Manual finishing is needed.</p> | | | | | | |

Max. Occ. = Maximum Occurrence, St = Status, * = Restricted Codes
 Status: M=Mandatory, R=Required, O=Optional, D=Dependent, A=Advised, N=Not used

Segment Layout

Detail section

| No. Seg | St | Max. Occ. | | | | |
|--|------------|--|--|----|---|--------------------------------|
| SG17 | O | 1000 | PGI-DTM-QTY-ALI-FTX-SG18-SG19-SG20-SG21-SG27-SG30-SG31-SG32-SG33-SG34-SG35-SG36 | | | |
| A group of segments enabling the standard commercial factors relevant to a specific group of items to be specified. e.g. quantity related price break factors or minimum order quantity. | | | | | | |
| SG36 | R | 999999 | LIN-PIA-IMD-MEA-QTY-HAN-ALI-DTM-RFF-LOC-FTX-SG37-SG38-SG40-SG41-SG47-SG48-SG51-SG52-SG54-SG55-SG56 | | | |
| 59 | DTM | O 1 | Date/time/period | | | |
| To specify date, and/or time, or period. | | | | | | |
| Business Term | DE | EDIFACT | Format | St | * | Description |
| | C507 | Date/time/period | | M | | |
| | 2005 | Date or time or period function code qualifier | an..3 | M | * | 157 Validity start date |
| Validity, start date | 2380 | Date or time or period value | an..35 | R | | |
| | 2379 | Date or time or period format code | an..3 | R | | 102 CCYYMMDD |
| Segmentstatus: Optional | | | | | | |
| Example: DTM+157:20190526:102' | | | | | | |
| The validity period starts with the 26th of May 2019 . | | | | | | |

Max. Occ. = Maximum Occurrence, St = Status, * = Restricted Codes
 Status: M=Mandatory, R=Required, O=Optional, D=Dependent, A=Advised, N=Not used

Segment Layout

Detail section

| No. Seg | St | Max. Occ. | | | | |
|---|------------|--|--|----|---|---|
| SG17 | O | 1000 | PGI-DTM-QTY-ALI-FTX-SG18-SG19-SG20-SG21-SG27-SG30-SG31-SG32-SG33-SG34-SG35-SG36 | | | |
| <p>A group of segments enabling the standard commercial factors relevant to a specific group of items to be specified. e.g. quantity related price break factors or minimum order quantity.</p> | | | | | | |
| SG36 | R | 999999 | LIN-PIA-IMD-MEA-QTY-HAN-ALI-DTM-RFF-LOC-FTX-SG37-SG38-SG40-SG41-SG47-SG48-SG51-SG52-SG54-SG55-SG56 | | | |
| 60 | DTM | O 1 | Date/time/period | | | |
| <p>To specify date, and/or time, or period.</p> | | | | | | |
| Business Term | DE | EDIFACT | Format | St | * | Description |
| | C507 | Date/time/period | | M | | |
| | 2005 | Date or time or period function code qualifier | an..3 | M | * | 44 Availability |
| Availability, (detail section) | 2380 | Date or time or period value | an..35 | R | | |
| | 2379 | Date or time or period format code | an..3 | R | | 102 CCYMMDD 602 CCYY 610 CCYMM 718 CCYMMDD- CCYMMDD Format of period to be given in actual message without hyphen. |
| <p>Segmentstatus: Optional</p> <p>This segment is used by the supplier to specify an availability date for the article.</p> <p>Example: DTM+44:20191028:102' The article is available from 28th October 2019.</p> | | | | | | |

Max. Occ. = Maximum Occurrence, St = Status, * = Restricted Codes
 Status: M=Mandatory, R=Required, O=Optional, D=Dependent, A=Advised, N=Not used

Segment Layout

Detail section

| No. Seg | St | Max. Occ. | | | | |
|--|------------|--|--|------------------|---|----------------------------------|
| SG17 | O | 1000 | PGI-DTM-QTY-ALI-FTX-SG18-SG19-SG20-SG21-SG27-SG30-SG31-SG32-SG33-SG34-SG35-SG36 | | | |
| A group of segments enabling the standard commercial factors relevant to a specific group of items to be specified. e.g. quantity related price break factors or minimum order quantity. | | | | | | |
| SG36 | R | 999999 | LIN-PIA-IMD-MEA-QTY-HAN-ALI-DTM-RFF-LOC-FTX-SG37-SG38-SG40-SG41-SG47-SG48-SG51-SG52-SG54-SG55-SG56 | | | |
| 61 | DTM | O | 1 | Date/time/period | | |
| To specify date, and/or time, or period. | | | | | | |
| Business Term | DE | EDIFACT | Format | St | * | Description |
| | C507 | Date/time/period | | M | | |
| | 2005 | Date or time or period function code qualifier | an..3 | M | * | 382 Earliest sale date |
| Earliest sale date, (detail section) | 2380 | Date or time or period value | an..35 | R | | |
| | 2379 | Date or time or period format code | an..3 | R | | 102 CCYYMMDD 203 CCYYMMDDHHMM |
| Segmentstatus: Optional | | | | | | |
| This segment is used by the supplier to specify an earliest sales date for the article. | | | | | | |
| Example: DTM+382:20191028:102' The earliest sale date is the 28 October 2019. | | | | | | |

Max. Occ. = Maximum Occurrence, St = Status, * = Restricted Codes
 Status: M=Mandatory, R=Required, O=Optional, D=Dependent, A=Advised, N=Not used

Segment Layout

Detail section

| No. Seg | St | Max. Occ. | | | | |
|--|------------|--|--|----|---|---|
| SG17 | O | 1000 | PGI-DTM-QTY-ALI-FTX-SG18-SG19-SG20-SG21-SG27-SG30-SG31-SG32-SG33-SG34-SG35-SG36 | | | |
| A group of segments enabling the standard commercial factors relevant to a specific group of items to be specified. e.g. quantity related price break factors or minimum order quantity. | | | | | | |
| SG36 | R | 999999 | LIN-PIA-IMD-MEA-QTY-HAN-ALI-DTM-RFF-LOC-FTX-SG37-SG38-SG40-SG41-SG47-SG48-SG51-SG52-SG54-SG55-SG56 | | | |
| 62 | DTM | O 1 | Date/time/period | | | |
| To specify date, and/or time, or period. | | | | | | |
| Business Term | DE | EDIFACT | Format | St | * | Description |
| | C507 | Date/time/period | | M | | |
| | 2005 | Date or time or period function code qualifier | an..3 | M | * | 423 First date of ordering 424 Last date of ordering |
| Earliest order date, (detail section) | 2380 | Date or time or period value | an..35 | R | | |
| | 2379 | Date or time or period format code | an..3 | R | | 102 CCYYMMDD |
| Segmentstatus: Optional | | | | | | |
| This segment is used by the supplier to specify an order period for the article. | | | | | | |
| Example: DTM+423:20191028:102' | | | | | | |
| The earliest order date is the 28 October 2019. | | | | | | |

Max. Occ. = Maximum Occurrence, St = Status, * = Restricted Codes
 Status: M=Mandatory, R=Required, O=Optional, D=Dependent, A=Advised, N=Not used

Segment Layout

Detail section

| No. Seg | St | Max. Occ. | | | | |
|--|------------|--|--|------------------|---|--|
| SG17 | O | 1000 | PGI-DTM-QTY-ALI-FTX-SG18-SG19-SG20-SG21-SG27-SG30-SG31-SG32-SG33-SG34-SG35-SG36 | | | |
| <p>A group of segments enabling the standard commercial factors relevant to a specific group of items to be specified. e.g. quantity related price break factors or minimum order quantity.</p> | | | | | | |
| SG36 | R | 999999 | LIN-PIA-IMD-MEA-QTY-HAN-ALI-DTM-RFF-LOC-FTX-SG37-SG38-SG40-SG41-SG47-SG48-SG51-SG52-SG54-SG55-SG56 | | | |
| 63 | DTM | O | 1 | Date/time/period | | |
| <p>To specify date, and/or time, or period.</p> | | | | | | |
| Business Term | DE | EDIFACT | Format | St | * | Description |
| | C507 | Date/time/period | | M | | |
| | 2005 | Date or time or period function code qualifier | an..3 | M | * | 63 Delivery date/ time, latest 64 Delivery date/ time, earliest |
| Delivery period, (detail section) | 2380 | Date or time or period value | an..35 | R | | |
| | 2379 | Date or time or period format code | an..3 | R | | 102 CCYYMMDD |
| <p>Segmentstatus: Optional</p> <p>This segment is used by the supplier to specify a delivery period for the article.</p> <p>Example: DTM+63:20191028:102' The latest delivery date is the 28 October 2019.</p> | | | | | | |

Max. Occ. = Maximum Occurrence, St = Status, * = Restricted Codes
 Status: M=Mandatory, R=Required, O=Optional, D=Dependent, A=Advised, N=Not used

Segment Layout

Detail section

| No. Seg | St | Max. Occ. | | | | |
|--|------------|-----------------------------------|--|-----------|---|--|
| SG17 | O | 1000 | PGI-DTM-QTY-ALI-FTX-SG18-SG19-SG20-SG21-SG27-SG30-SG31-SG32-SG33-SG34-SG35-SG36 | | | |
| <p>A group of segments enabling the standard commercial factors relevant to a specific group of items to be specified. e.g. quantity related price break factors or minimum order quantity.</p> | | | | | | |
| SG36 | R | 999999 | LIN-PIA-IMD-MEA-QTY-HAN-ALI-DTM-RFF-LOC-FTX-SG37-SG38-SG40-SG41-SG47-SG48-SG51-SG52-SG54-SG55-SG56 | | | |
| 64 | FTX | O | 1 | Free text | | |
| <p>To provide free form or coded text information.</p> | | | | | | |
| Business Term | DE | EDIFACT | Format | St | * | Description |
| | 4451 | Text subject code qualifier | an..3 | M | * | DEL Delivery information |
| | 4453 | Free text function code | an..3 | A | * | 1 Text for subsequent use |
| | C107 | Text reference | | R | | |
| Reason qualifier | 4441 | Free text value code | an..17 | M | | 15 Currently out of stock Use list "Einheitliche Meldenummern aus der Liste des Börsenvereins des deutschen Buchhandels e.V." |
| | 1131 | Code list identification code | an..17 | R | * | BOEV BOEV (fix value) |
| | 3055 | Code list responsible agency code | an..3 | R | * | 246 GS1 Germany |
| <p>Segmentstatus: Optional</p> <p>This segment is used to advice reason qualifiers (Meldenummern des Börsenvereins des deutschen Buchhandels) for the substituted/changed line item.</p> <p>Example: FTX+DEL+1+15:BOEV:246 ' Reason for change is code 15.</p> | | | | | | |

Max. Occ. = Maximum Occurrence, St = Status, * = Restricted Codes
 Status: M=Mandatory, R=Required, O=Optional, D=Dependent, A=Advised, N=Not used

Segment Layout

| No. Seg | St | Max. Occ. | | | | |
|--|------------|-----------------------------------|--|-------------------------|---|--|
| SG17 | O | 1000 | PGI-DTM-QTY-ALI-FTX-SG18-SG19-SG20-SG21-SG27-SG30-SG31-SG32-SG33-SG34-SG35-SG36 | | | |
| A group of segments enabling the standard commercial factors relevant to a specific group of items to be specified. e.g. quantity related price break factors or minimum order quantity. | | | | | | |
| SG36 | R | 999999 | LIN-PIA-IMD-MEA-QTY-HAN-ALI-DTM-RFF-LOC-FTX-SG37-SG38-SG40-SG41-SG47-SG48-SG51-SG52-SG54-SG55-SG56 | | | |
| SG37 | O | 999 | CCI-CAV-MEA | | | |
| A group of segments providing product characteristic and -product characteristic details. | | | | | | |
| 65 | CCI | M | 1 | Characteristic/class id | | |
| To identify and describe a specific characteristic and its relevance for subsequent business processes. | | | | | | |
| Business Term | DE | EDIFACT | Format | St | * | Description |
| | 7059 | Class type code | an..3 | O | * | 11 Product |
| | C502 | Measurement details | | N | | |
| | 6313 | Measured attribute code | an..3 | | | |
| | C240 | Product characteristic | | R | | |
| Material information | 7037 | Characteristic description code | an..17 | M | * | MATERIA Material Information (GS1 Permanent Code) |
| | 1131 | Code list identification code | an..17 | N | | |
| | 3055 | Code list responsible agency code | an..3 | R | * | 9 GS1 |
| Segmentstatus: Optional | | | | | | |
| This segment is used to specify the characteristics of the current line item. | | | | | | |
| Example: | | | | | | |
| Example: CCI+++MATERIAL:::9' | | | | | | |

Max. Occ. = Maximum Occurrence, St = Status, * = Restricted Codes
 Status: M=Mandatory, R=Required, O=Optional, D=Dependent, A=Advised, N=Not used

Segment Layout

| No. Seg | St | Max. Occ. | | | | |
|--|------------|---------------------------------------|--|----------------------|---|---|
| SG17 | O | 1000 | PGI-DTM-QTY-ALI-FTX-SG18-SG19-SG20-SG21-SG27-SG30-SG31-SG32-SG33-SG34-SG35-SG36 | | | |
| A group of segments enabling the standard commercial factors relevant to a specific group of items to be specified. e.g. quantity related price break factors or minimum order quantity. | | | | | | |
| SG36 | R | 999999 | LIN-PIA-IMD-MEA-QTY-HAN-ALI-DTM-RFF-LOC-FTX-SG37-SG38-SG40-SG41-SG47-SG48-SG51-SG52-SG54-SG55-SG56 | | | |
| SG37 | O | 999 | CCI-CAV-MEA | | | |
| A group of segments providing product characteristic and -product characteristic details. | | | | | | |
| 66 | CAV | O | 1 | Characteristic value | | |
| To provide the value of a characteristic. | | | | | | |
| Business Term | DE | EDIFACT | Format | St | * | Description |
| | C889 | Characteristic value | | M | | |
| Material, Code | 7111 | Characteristic value description code | an..3 | A | | This data element is used to provide characteristic values. As no EDIFACT code list exists for this data element codes should be allocated depending on the requirements of the user. 39 |
| | 1131 | Code list identification code | an..17 | O | | GDSNMATERIALCODE (fix value) DIN60001 Teil 4 (fix value) |
| | 3055 | Code list responsible agency code | an..3 | D | * | 174 DE, DIN (Deutsches Institut fuer Normung) 246 GS1 Germany |
| Material, Text | 7110 | Characteristic value description | an..35 | O | | |
| | 7110 | Characteristic value description | an..35 | O | | |
| Segmentstatus: Optional | | | | | | |
| This segment is used to further specify product characteristics for the current line item. | | | | | | |
| Example: | | | | | | |
| Example: CAV+39:GDSNMATERIALCODE:246:FLEECE' | | | | | | |
| In Kombination mit dem Beispiel im vorherigen CCI zeigt, dass der im Produkt verwendete Stoff aus Fleece ist. | | | | | | |

Max. Occ. = Maximum Occurrence, St = Status, * = Restricted Codes
 Status: M=Mandatory, R=Required, O=Optional, D=Dependent, A=Advised, N=Not used

Segment Layout

| No. Seg | St | Max. Occ. | | | | |
|---|------------|------------------------------------|--|--------------|---|--|
| SG17 | O | 1000 | PGI-DTM-QTY-ALI-FTX-SG18-SG19-SG20-SG21-SG27-SG30-SG31-SG32-SG33-SG34-SG35-SG36 | | | |
| A group of segments enabling the standard commercial factors relevant to a specific group of items to be specified. e.g. quantity related price break factors or minimum order quantity. | | | | | | |
| SG36 | R | 999999 | LIN-PIA-IMD-MEA-QTY-HAN-ALI-DTM-RFF-LOC-FTX-SG37-SG38-SG40-SG41-SG47-SG48-SG51-SG52-SG54-SG55-SG56 | | | |
| SG37 | O | 999 | CCI-CAV-MEA | | | |
| A group of segments providing product characteristic and -product characteristic details. | | | | | | |
| 67 | MEA | O | 1 | Measurements | | |
| To specify physical measurements, including dimension tolerances, weights and counts. | | | | | | |
| Business Term | DE | EDIFACT | Format | St | * | Description |
| | 6311 | Measurement purpose code qualifier | an..3 | M | * | SV Specification value |
| | C502 | Measurement details | | O | | |
| | 6313 | Measured attribute code | an..3 | A | | |
| | 6321 | Measurement significance code | an..3 | O | * | 3 Approximately 4 Equal to |
| | 6155 | Non-discrete measurement name code | an..17 | O | | |
| | C174 | Value/range | | R | | |
| | 6411 | Measurement unit code | an..3 | M | | P1 percent All code values from EANCOM code list 6411 and UN/ECE Recommendation 20 code list available. |
| Material, percentage | 6314 | Measurement value | an..18 | O | | Only numeric values. |
| Segmentstatus: Optional | | | | | | |
| This segment is used to specify any measurements related to the currently identified product characteristic class. | | | | | | |
| Example: | | | | | | |
| Example: MEA+SV+:3+P1:65' | | | | | | |
| This MEA segment indicates the measurements for the specification identified in the CCI and CAV segments. In this instance the ingredient fleece is 65% of the total ingredients for the product. | | | | | | |

Max. Occ. = Maximum Occurrence, St = Status, * = Restricted Codes
 Status: M=Mandatory, R=Required, O=Optional, D=Dependent, A=Advised, N=Not used

Segment Layout

Detail section

| No. Seg | St | Max. Occ. | | | | |
|--|------|--|--|----|---|---------------------|
| SG17 | O | 1000 | PGI-DTM-QTY-ALI-FTX-SG18-SG19-SG20-SG21-SG27-SG30-SG31-SG32-SG33-SG34-SG35-SG36 | | | |
| A group of segments enabling the standard commercial factors relevant to a specific group of items to be specified. e.g. quantity related price break factors or minimum order quantity. | | | | | | |
| SG36 | R | 999999 | LIN-PIA-IMD-MEA-QTY-HAN-ALI-DTM-RFF-LOC-FTX-SG37-SG38-SG40-SG41-SG47-SG48-SG51-SG52-SG54-SG55-SG56 | | | |
| SG38 | O | 10 | TAX-MOA | | | |
| TAX | M | 1 | Duty/tax/fee details | | | |
| To specify relevant duty/tax/fee information. | | | | | | |
| 68 | | | | | | |
| Business Term | DE | EDIFACT | Format | St | * | Description |
| | 5283 | Duty or tax or fee function code qualifier | an..3 | M | | 7 Tax |
| | C241 | Duty/tax/fee type | | D | | |
| Value added tax on line level | 5153 | Duty or tax or fee type name code | an..3 | O | | VAT Value added tax |
| | 1131 | Code list identification code | an..17 | O | | |
| | 3055 | Code list responsible agency code | an..3 | D | | |
| | 5152 | Duty or tax or fee type name | an..35 | O | | |
| | C533 | Duty/tax/fee account detail | | O | | |
| | 5289 | Duty or tax or fee account code | an..6 | M | | |
| | 1131 | Code list identification code | an..17 | O | | |
| | 3055 | Code list responsible agency code | an..3 | D | | |
| | 5286 | Duty or tax or fee assessment basis value | an..15 | O | | |
| | C243 | Duty/tax/fee detail | | A | | |
| | 5279 | Duty or tax or fee rate code | an..7 | O | | |
| | 1131 | Code list identification code | an..17 | O | | |
| | 3055 | Code list responsible agency code | an..3 | D | | |
| | 5278 | Duty or tax or fee rate | an..17 | R | | Actual tax rate |
| | 5273 | Duty or tax or fee rate basis code | an..12 | O | | |
| | 1131 | Code list identification code | an..17 | O | | |
| | 3055 | Code list responsible agency code | an..3 | D | | |
| | 5305 | Duty or tax or fee | an..3 | R | | E Exempt from tax |

Max. Occ. = Maximum Occurrence, St = Status, * = Restricted Codes
 Status: M=Mandatory, R=Required, O=Optional, D=Dependent, A=Advised, N=Not used

Segment Layout

Detail section

| Business Term | DE | EDIFACT | Format | St | * | Description |
|---|----|---------------|--------|----|---|--|
| | | category code | | | | S Standard rate O Services outside scope of tax |
| <p>Segmentstatus: Depending, mandatory if the VAT rate differ from the indication in the heading section.</p> <p>Note to DE 5278 and 5305: If the business volume is free of tax, DE 5278 must contain 0 (zero).</p> <p>Example: TAX+7+VAT+ABC123++:::19+S ' The VAT rate for the current line item is 19%.</p> | | | | | | |

Max. Occ. = Maximum Occurrence, St = Status, * = Restricted Codes
 Status: M=Mandatory, R=Required, O=Optional, D=Dependent, A=Advised, N=Not used

Segment Layout

Detail section

| No. Seg | St | Max. Occ. | | | | |
|--|------------|----------------------|--|----|---|---------------------|
| SG17 | O | 1000 | PGI-DTM-QTY-ALI-FTX-SG18-SG19-SG20-SG21-SG27-SG30-SG31-SG32-SG33-SG34-SG35-SG36 | | | |
| A group of segments enabling the standard commercial factors relevant to a specific group of items to be specified. e.g. quantity related price break factors or minimum order quantity. | | | | | | |
| SG36 | R | 999999 | LIN-PIA-IMD-MEA-QTY-HAN-ALI-DTM-RFF-LOC-FTX-SG37-SG38-SG40-SG41-SG47-SG48-SG51-SG52-SG54-SG55-SG56 | | | |
| SG40 | O | 100 | PRI-CUX-APR-RNG-DTM-LOC | | | |
| 69 | PRI | M 1 | Price details | | | |
| To specify price information. | | | | | | |
| Business Term | DE | EDIFACT | Format | St | * | Description |
| | C509 | Price information | | R | | |
| | 5125 | Price code qualifier | an..3 | M | * | AAA Calculation net |
| Single price per invoiced unit net | 5118 | Price amount | n..15 | A | | |
| Segmentstatus: Depending, mandatory if ALC, PCD or ALC, MOA are used. | | | | | | |
| This segment is used to provide the net price. | | | | | | |
| Example: PRI+AAA:9.98' | | | | | | |
| The net price is 9.98 EURO. | | | | | | |

Max. Occ. = Maximum Occurrence, St = Status, * = Restricted Codes
 Status: M=Mandatory, R=Required, O=Optional, D=Dependent, A=Advised, N=Not used

Segment Layout

Detail section

| No. Seg | St | Max. Occ. | | | | |
|--|------------|---------------------------|--|---------------|---|--|
| SG17 | O | 1000 | PGI-DTM-QTY-ALI-FTX-SG18-SG19-SG20-SG21-SG27-SG30-SG31-SG32-SG33-SG34-SG35-SG36 | | | |
| A group of segments enabling the standard commercial factors relevant to a specific group of items to be specified. e.g. quantity related price break factors or minimum order quantity. | | | | | | |
| SG36 | R | 999999 | LIN-PIA-IMD-MEA-QTY-HAN-ALI-DTM-RFF-LOC-FTX-SG37-SG38-SG40-SG41-SG47-SG48-SG51-SG52-SG54-SG55-SG56 | | | |
| SG40 | O | 100 | PRI-CUX-APR-RNG-DTM-LOC | | | |
| 70 | RNG | O | 1 | Range details | | |
| To identify a range. | | | | | | |
| Business Term | DE | EDIFACT | Format | St | * | Description |
| | 6167 | Range type code qualifier | an..3 | M | | 3 Monetary range |
| | C280 | Range | | R | | |
| | 6411 | Measurement unit code | an..3 | M | | AMT amount H87 Piece (Old code value: PCE) All code values from EANCOM code list 6411 and UN/ECE Recommendation 20 code list available. |
| Range minimum value | 6162 | Range minimum value | n..18 | O | | |
| Range maximum value | 6152 | Range maximum value | n..18 | O | | |
| Segmentstatus: Optional | | | | | | |
| This segment is used to specify ranges which apply to the previous PRI segment. | | | | | | |
| Example: RNG+3+H87:20:29' | | | | | | |
| The price range is from 20 to 29 pieces. | | | | | | |

Max. Occ. = Maximum Occurrence, St = Status, * = Restricted Codes
 Status: M=Mandatory, R=Required, O=Optional, D=Dependent, A=Advised, N=Not used

Segment Layout

Detail section

| No. Seg | St | Max. Occ. | | | | |
|--|------------|----------------------|--|----|---|-----------------------|
| SG17 | O | 1000 | PGI-DTM-QTY-ALI-FTX-SG18-SG19-SG20-SG21-SG27-SG30-SG31-SG32-SG33-SG34-SG35-SG36 | | | |
| A group of segments enabling the standard commercial factors relevant to a specific group of items to be specified. e.g. quantity related price break factors or minimum order quantity. | | | | | | |
| SG36 | R | 999999 | LIN-PIA-IMD-MEA-QTY-HAN-ALI-DTM-RFF-LOC-FTX-SG37-SG38-SG40-SG41-SG47-SG48-SG51-SG52-SG54-SG55-SG56 | | | |
| SG40 | O | 100 | PRI-CUX-APR-RNG-DTM-LOC | | | |
| 71 | PRI | M 1 | Price details | | | |
| To specify price information. | | | | | | |
| Business Term | DE | EDIFACT | Format | St | * | Description |
| | C509 | Price information | | R | | |
| | 5125 | Price code qualifier | an..3 | M | * | AAB Calculation gross |
| Single price per invoiced unit gross | 5118 | Price amount | n..15 | A | | |
| Segmentstatus: Optional | | | | | | |
| This segment is used to provide the gross price. | | | | | | |
| Example: PRI+AAB:9.98' | | | | | | |
| The gross price is 9.98 EURO. | | | | | | |

Max. Occ. = Maximum Occurrence, St = Status, * = Restricted Codes
 Status: M=Mandatory, R=Required, O=Optional, D=Dependent, A=Advised, N=Not used

Segment Layout

Detail section

| No. Seg | St | Max. Occ. | | | | |
|--|------|--------------------------|--|----|---|---|
| SG17 | O | 1000 | PGI-DTM-QTY-ALI-FTX-SG18-SG19-SG20-SG21-SG27-SG30-SG31-SG32-SG33-SG34-SG35-SG36 | | | |
| A group of segments enabling the standard commercial factors relevant to a specific group of items to be specified. e.g. quantity related price break factors or minimum order quantity. | | | | | | |
| SG36 | R | 999999 | LIN-PIA-IMD-MEA-QTY-HAN-ALI-DTM-RFF-LOC-FTX-SG37-SG38-SG40-SG41-SG47-SG48-SG51-SG52-SG54-SG55-SG56 | | | |
| SG40 | O | 100 | PRI-CUX-APR-RNG-DTM-LOC | | | |
| PRI | M | 1 | Price details | | | |
| To specify price information. | | | | | | |
| Business Term | DE | EDIFACT | Format | St | * | Description |
| | C509 | Price information | | R | | |
| | 5125 | Price code qualifier | an..3 | M | * | AAE Information price, excluding allowances or charges, including taxes |
| Fixed Retail price | 5118 | Price amount | n..15 | A | | |
| | 5375 | Price type code | an..3 | O | | |
| | 5387 | Price specification code | an..3 | R | * | RTP Retail price |
| Segmentstatus: Depending, status of segment is mandatory, if a fixed retail price must be used for this article. | | | | | | |
| This segment is used to indicate the fixed sale price. | | | | | | |
| Example: PRI+AAE:19.98::RTP' | | | | | | |
| The fixed retail price per piece is 19.98 EURO incl. tax. | | | | | | |

Max. Occ. = Maximum Occurrence, St = Status, * = Restricted Codes
 Status: M=Mandatory, R=Required, O=Optional, D=Dependent, A=Advised, N=Not used

Segment Layout

Detail section

| No. Seg | St | Max. Occ. | | | | |
|--|------|-------------------------------|--|----|---|-----------------------|
| SG17 | O | 1000 | PGI-DTM-QTY-ALI-FTX-SG18-SG19-SG20-SG21-SG27-SG30-SG31-SG32-SG33-SG34-SG35-SG36 | | | |
| A group of segments enabling the standard commercial factors relevant to a specific group of items to be specified. e.g. quantity related price break factors or minimum order quantity. | | | | | | |
| SG36 | R | 999999 | LIN-PIA-IMD-MEA-QTY-HAN-ALI-DTM-RFF-LOC-FTX-SG37-SG38-SG40-SG41-SG47-SG48-SG51-SG52-SG54-SG55-SG56 | | | |
| SG40 | O | 100 | PRI-CUX-APR-RNG-DTM-LOC | | | |
| 73 | | | CUX | O | 1 | Currencies |
| To specify currencies used in the transaction and relevant details for the rate of exchange. | | | | | | |
| Business Term | DE | EDIFACT | Format | St | * | Description |
| | C504 | Currency details | | R | | |
| | 6347 | Currency usage code qualifier | an..3 | M | * | 2 Reference currency |
| Currency code | 6345 | Currency identification code | an..3 | R | | |
| | 6343 | Currency type code qualifier | an..3 | R | * | 8 Price list currency |
| Segmentstatus: Optional | | | | | | |
| This segment is used to specify currency data related to the previous PRI segment. | | | | | | |
| The indication of the currency on line level overwrites the indication from the heading section of the message. | | | | | | |
| Example: CUX+2:CHF:8' | | | | | | |
| The currency is Swiss Franc. | | | | | | |

Max. Occ. = Maximum Occurrence, St = Status, * = Restricted Codes
 Status: M=Mandatory, R=Required, O=Optional, D=Dependent, A=Advised, N=Not used

Segment Layout

| No. Seg | St | Max. Occ. | | | | |
|--|------|-------------------------------------|--|----|---|--|
| SG17 | O | 1000 | PGI-DTM-QTY-ALI-FTX-SG18-SG19-SG20-SG21-SG27-SG30-SG31-SG32-SG33-SG34-SG35-SG36 | | | |
| A group of segments enabling the standard commercial factors relevant to a specific group of items to be specified. e.g. quantity related price break factors or minimum order quantity. | | | | | | |
| SG36 | R | 999999 | LIN-PIA-IMD-MEA-QTY-HAN-ALI-DTM-RFF-LOC-FTX-SG37-SG38-SG40-SG41-SG47-SG48-SG51-SG52-SG54-SG55-SG56 | | | |
| SG40 | O | 100 | PRI-CUX-APR-RNG-DTM-LOC | | | |
| 74 LOC | O | 1 | Place/location identification To identify a place or a location and/or related locations. | | | |
| Business Term | DE | EDIFACT | Format | St | * | Description |
| | 3227 | Location function code qualifier | an..3 | M | * | 162 Place or location of sale |
| | C517 | Location identification | | R | | |
| Place of sale, code | 3225 | Location name code | an..25 | R | | Th UN/LOCODE (2 digits) is to be used. This is identical with ISO 3166 which is used in DE 3207. |
| Segmentstatus: Depending, mandatory if location of sale is not identical with country of buyer (NAD+BY). | | | | | | |
| This segment is used to indicate the location of sale. | | | | | | |
| Example: LOC+162+AT' The location of sale is Austria | | | | | | |

Max. Occ. = Maximum Occurrence, St = Status, * = Restricted Codes
 Status: M=Mandatory, R=Required, O=Optional, D=Dependent, A=Advised, N=Not used

Segment Layout

Detail section

| No. Seg | St | Max. Occ. | | | | |
|--|------------|--------------------------|--|----|---|---|
| SG17 | O | 1000 | PGI-DTM-QTY-ALI-FTX-SG18-SG19-SG20-SG21-SG27-SG30-SG31-SG32-SG33-SG34-SG35-SG36 | | | |
| A group of segments enabling the standard commercial factors relevant to a specific group of items to be specified. e.g. quantity related price break factors or minimum order quantity. | | | | | | |
| SG36 | R | 999999 | LIN-PIA-IMD-MEA-QTY-HAN-ALI-DTM-RFF-LOC-FTX-SG37-SG38-SG40-SG41-SG47-SG48-SG51-SG52-SG54-SG55-SG56 | | | |
| SG40 | O | 100 | PRI-CUX-APR-RNG-DTM-LOC | | | |
| 75 | PRI | M 1 | Price details | | | |
| To specify price information. | | | | | | |
| Business Term | DE | EDIFACT | Format | St | * | Description |
| | C509 | Price information | | R | | |
| | 5125 | Price code qualifier | an..3 | M | * | AAE Information price, excluding allowances or charges, including taxes |
| Retail price | 5118 | Price amount | n..15 | R | | |
| | 5375 | Price type code | an..3 | O | | |
| | 5387 | Price specification code | an..3 | O | * | SRP Suggested retail price |
| Segmentstatus: Optional | | | | | | |
| Example: PRI+AAE:19.98::SRP' | | | | | | |
| The suggested retail price per piece is 19.98 EURO incl. tax. | | | | | | |

Max. Occ. = Maximum Occurrence, St = Status, * = Restricted Codes
 Status: M=Mandatory, R=Required, O=Optional, D=Dependent, A=Advised, N=Not used

Segment Layout

Detail section

| No. Seg | St | Max. Occ. | | | | |
|--|------|-------------------------------|--|----|---|-----------------------|
| SG17 | O | 1000 | PGI-DTM-QTY-ALI-FTX-SG18-SG19-SG20-SG21-SG27-SG30-SG31-SG32-SG33-SG34-SG35-SG36 | | | |
| A group of segments enabling the standard commercial factors relevant to a specific group of items to be specified. e.g. quantity related price break factors or minimum order quantity. | | | | | | |
| SG36 | R | 999999 | LIN-PIA-IMD-MEA-QTY-HAN-ALI-DTM-RFF-LOC-FTX-SG37-SG38-SG40-SG41-SG47-SG48-SG51-SG52-SG54-SG55-SG56 | | | |
| SG40 | O | 100 | PRI-CUX-APR-RNG-DTM-LOC | | | |
| 76 | | | CUX | O | 1 | Currencies |
| To specify currencies used in the transaction and relevant details for the rate of exchange. | | | | | | |
| Business Term | DE | EDIFACT | Format | St | * | Description |
| | C504 | Currency details | | R | | |
| | 6347 | Currency usage code qualifier | an..3 | M | * | 2 Reference currency |
| Currency code | 6345 | Currency identification code | an..3 | R | | |
| | 6343 | Currency type code qualifier | an..3 | R | * | 8 Price list currency |
| Segmentstatus: Optional | | | | | | |
| This segment is used to specify currency data related to the previous PRI segment. | | | | | | |
| The indication of the currency on line level overwrites the indication from the heading section of the message. | | | | | | |
| Example: CUX+2:CHF:8' | | | | | | |
| The currency is Swiss Franc. | | | | | | |

Max. Occ. = Maximum Occurrence, St = Status, * = Restricted Codes
 Status: M=Mandatory, R=Required, O=Optional, D=Dependent, A=Advised, N=Not used

Segment Layout

| No. Seg | St | Max. Occ. | | | | |
|--|------------|----------------------------------|--|-------------------------------|---|--|
| SG17 | O | 1000 | PGI-DTM-QTY-ALI-FTX-SG18-SG19-SG20-SG21-SG27-SG30-SG31-SG32-SG33-SG34-SG35-SG36 | | | |
| A group of segments enabling the standard commercial factors relevant to a specific group of items to be specified. e.g. quantity related price break factors or minimum order quantity. | | | | | | |
| SG36 | R | 999999 | LIN-PIA-IMD-MEA-QTY-HAN-ALI-DTM-RFF-LOC-FTX-SG37-SG38-SG40-SG41-SG47-SG48-SG51-SG52-SG54-SG55-SG56 | | | |
| SG40 | O | 100 | PRI-CUX-APR-RNG-DTM-LOC | | | |
| 77 | LOC | O | 1 | Place/location identification | | |
| To identify a place or a location and/or related locations. | | | | | | |
| Business Term | DE | EDIFACT | Format | St | * | Description |
| | 3227 | Location function code qualifier | an..3 | M | | 162 Place or location of sale |
| | C517 | Location identification | | R | | |
| Place of sale, code | 3225 | Location name code | an..25 | R | | Th UN/LOCODE (2 digits) is to be used. This is identical with ISO 3166 which is used in DE 3207. |
| Segmentstatus: Depending, mandatory if location of sale is not identical with country of buyer (NAD+BY). | | | | | | |
| This segment is used to indicate the location of sale. | | | | | | |
| Example: LOC+162+AT' The location of sale is Austria | | | | | | |

Max. Occ. = Maximum Occurrence, St = Status, * = Restricted Codes
 Status: M=Mandatory, R=Required, O=Optional, D=Dependent, A=Advised, N=Not used

Segment Layout

Detail section

| No. Seg | St | Max. Occ. | | | | |
|---|------------|--------------------------|--|----|---|--|
| SG17 | O | 1000 | PGI-DTM-QTY-ALI-FTX-SG18-SG19-SG20-SG21-SG27-SG30-SG31-SG32-SG33-SG34-SG35-SG36 | | | |
| <p>A group of segments enabling the standard commercial factors relevant to a specific group of items to be specified. e.g. quantity related price break factors or minimum order quantity.</p> | | | | | | |
| SG36 | R | 999999 | LIN-PIA-IMD-MEA-QTY-HAN-ALI-DTM-RFF-LOC-FTX-SG37-SG38-SG40-SG41-SG47-SG48-SG51-SG52-SG54-SG55-SG56 | | | |
| SG40 | O | 100 | PRI-CUX-APR-RNG-DTM-LOC | | | |
| 78 | PRI | M 1 | Price details | | | |
| To specify price information. | | | | | | |
| Business Term | DE | EDIFACT | Format | St | * | Description |
| | C509 | Price information | | R | | |
| | 5125 | Price code qualifier | an..3 | M | * | AAE Information price, excluding allowances or charges, including taxes |
| Reduced Retail price | 5118 | Price amount | n..15 | A | | |
| | 5375 | Price type code | an..3 | O | | |
| | 5387 | Price specification code | an..3 | O | * | DPR Discount price |
| | 5284 | Unit price basis value | n..9 | D | | |
| Segmentstatus: Optional | | | | | | |
| This segment can be use to provide the reduced retail price. | | | | | | |
| Example: PRI+AAE:19.98::DPR' | | | | | | |
| The reduced retail price per piece is 19.98 EURO incl. tax. | | | | | | |

Max. Occ. = Maximum Occurrence, St = Status, * = Restricted Codes
 Status: M=Mandatory, R=Required, O=Optional, D=Dependent, A=Advised, N=Not used

Segment Layout

Detail section

| No. Seg | St | Max. Occ. | | | | |
|--|------|-------------------------------|--|----|---|-----------------------|
| SG17 | O | 1000 | PGI-DTM-QTY-ALI-FTX-SG18-SG19-SG20-SG21-SG27-SG30-SG31-SG32-SG33-SG34-SG35-SG36 | | | |
| A group of segments enabling the standard commercial factors relevant to a specific group of items to be specified. e.g. quantity related price break factors or minimum order quantity. | | | | | | |
| SG36 | R | 999999 | LIN-PIA-IMD-MEA-QTY-HAN-ALI-DTM-RFF-LOC-FTX-SG37-SG38-SG40-SG41-SG47-SG48-SG51-SG52-SG54-SG55-SG56 | | | |
| SG40 | O | 100 | PRI-CUX-APR-RNG-DTM-LOC | | | |
| 79 | | | CUX | O | 1 | Currencies |
| To specify currencies used in the transaction and relevant details for the rate of exchange. | | | | | | |
| Business Term | DE | EDIFACT | Format | St | * | Description |
| | C504 | Currency details | | R | | |
| | 6347 | Currency usage code qualifier | an..3 | M | * | 2 Reference currency |
| Currency code | 6345 | Currency identification code | an..3 | R | | |
| | 6343 | Currency type code qualifier | an..3 | R | * | 8 Price list currency |
| Segmentstatus: Optional | | | | | | |
| This segment is used to specify currency data related to the previous PRI segment. | | | | | | |
| The indication of the currency on line level overwrites the indication from the heading section of the message. | | | | | | |
| Example: CUX+2:CHF:8' | | | | | | |
| The currency is Swiss Franc. | | | | | | |

Max. Occ. = Maximum Occurrence, St = Status, * = Restricted Codes
 Status: M=Mandatory, R=Required, O=Optional, D=Dependent, A=Advised, N=Not used

Segment Layout

| No. Seg | St | Max. Occ. | | | | |
|--|------|-----------------------------------|--|----|---|---|
| SG17 | O | 1000 | PGI-DTM-QTY-ALI-FTX-SG18-SG19-SG20-SG21-SG27-SG30-SG31-SG32-SG33-SG34-SG35-SG36 | | | |
| A group of segments enabling the standard commercial factors relevant to a specific group of items to be specified. e.g. quantity related price break factors or minimum order quantity. | | | | | | |
| SG36 | R | 999999 | LIN-PIA-IMD-MEA-QTY-HAN-ALI-DTM-RFF-LOC-FTX-SG37-SG38-SG40-SG41-SG47-SG48-SG51-SG52-SG54-SG55-SG56 | | | |
| SG40 | O | 100 | PRI-CUX-APR-RNG-DTM-LOC | | | |
| 80 APR | O | 1 | Additional price information | | | |
| To provide information concerning pricing related to class of trade, price multiplier, and reason for change. | | | | | | |
| Business Term | DE | EDIFACT | Format | St | * | Description |
| | 4043 | Trade class code | an..3 | D | * | |
| | C138 | Price multiplier information | | N | | |
| | 5394 | Price multiplier rate | n..12 | | | |
| | C960 | Reason for change | | A | | |
| Reduced Price | 4295 | Change reason description code | an..3 | R | | 01 Kanzleipreis 02 Studentenpreis 03 Abonnentenpreis 04 Mitgliedspreis 05 Vereinspreis 06 Subscriptionspreis |
| | 1131 | Code list identification code | an..17 | O | * | MEDIA Media (fix value) |
| | 3055 | Code list responsible agency code | an..3 | D | | 246 GS1 Germany |
| | 4294 | Change reason description | an..35 | O | | |
| Segmentstatus: Optional | | | | | | |
| This segment is used to provide a reason for a change in the price specified in the PRI segment. | | | | | | |
| Example: APR+++01:MEDIA:246' | | | | | | |

Max. Occ. = Maximum Occurrence, St = Status, * = Restricted Codes
 Status: M=Mandatory, R=Required, O=Optional, D=Dependent, A=Advised, N=Not used

Segment Layout

Detail section

| No. Seg | St | Max. Occ. | | | | |
|--|------|--|--|----|---|---------------------|
| SG17 | O | 1000 | PGI-DTM-QTY-ALI-FTX-SG18-SG19-SG20-SG21-SG27-SG30-SG31-SG32-SG33-SG34-SG35-SG36 | | | |
| A group of segments enabling the standard commercial factors relevant to a specific group of items to be specified. e.g. quantity related price break factors or minimum order quantity. | | | | | | |
| SG36 | R | 999999 | LIN-PIA-IMD-MEA-QTY-HAN-ALI-DTM-RFF-LOC-FTX-SG37-SG38-SG40-SG41-SG47-SG48-SG51-SG52-SG54-SG55-SG56 | | | |
| SG40 | O | 100 | PRI-CUX-APR-RNG-DTM-LOC | | | |
| 81 DTM | O | 1 | Date/time/period | | | |
| To specify date, and/or time, or period. | | | | | | |
| Business Term | DE | EDIFACT | Format | St | * | Description |
| | C507 | Date/time/period | | M | | |
| | 2005 | Date or time or period function code qualifier | an..3 | M | * | 194 Start date/time |
| Validity, start | 2380 | Date or time or period value | an..35 | R | | |
| | 2379 | Date or time or period format code | an..3 | R | | 102 CCYYMMDD |
| Segmentstatus: Optional | | | | | | |
| This segment is used to indicate the start date concerning the displayed prices. | | | | | | |
| Example: DTM+194:20180518:102' | | | | | | |
| This example indicates the 18th of May 2018 as start date of the validity. | | | | | | |

Max. Occ. = Maximum Occurrence, St = Status, * = Restricted Codes
 Status: M=Mandatory, R=Required, O=Optional, D=Dependent, A=Advised, N=Not used

Segment Layout

Detail section

| No. Seg | St | Max. Occ. | | | | |
|--|------------|--|--|----|---|---|
| SG17 | O | 1000 | PGI-DTM-QTY-ALI-FTX-SG18-SG19-SG20-SG21-SG27-SG30-SG31-SG32-SG33-SG34-SG35-SG36 | | | |
| A group of segments enabling the standard commercial factors relevant to a specific group of items to be specified. e.g. quantity related price break factors or minimum order quantity. | | | | | | |
| SG36 | R | 999999 | LIN-PIA-IMD-MEA-QTY-HAN-ALI-DTM-RFF-LOC-FTX-SG37-SG38-SG40-SG41-SG47-SG48-SG51-SG52-SG54-SG55-SG56 | | | |
| SG40 | O | 100 | PRI-CUX-APR-RNG-DTM-LOC | | | |
| 82 | DTM | O 1 | Date/time/period | | | |
| To specify date, and/or time, or period. | | | | | | |
| Business Term | DE | EDIFACT | Format | St | * | Description |
| | C507 | Date/time/period | | M | | |
| | 2005 | Date or time or period function code qualifier | an..3 | M | * | 206 End date/time 102 Health problem period |
| Validity, end | 2380 | Date or time or period value | an..35 | R | | |
| | 2379 | Date or time or period format code | an..3 | R | | 102 CCYYMMDD |
| Segmentstatus: Optional | | | | | | |
| This segment is used to indicate the end date concerning the displayed prices. | | | | | | |
| Example: DTM+206:20180618:102' | | | | | | |
| This example indicates the 18th of June 2018 as end date of the validity. | | | | | | |

Max. Occ. = Maximum Occurrence, St = Status, * = Restricted Codes
 Status: M=Mandatory, R=Required, O=Optional, D=Dependent, A=Advised, N=Not used

Segment Layout

| No. Seg | St | Max. Occ. | | | | |
|--|------|----------------------------------|--|----|---|--|
| SG17 | O | 1000 | PGI-DTM-QTY-ALI-FTX-SG18-SG19-SG20-SG21-SG27-SG30-SG31-SG32-SG33-SG34-SG35-SG36 | | | |
| A group of segments enabling the standard commercial factors relevant to a specific group of items to be specified. e.g. quantity related price break factors or minimum order quantity. | | | | | | |
| SG36 | R | 999999 | LIN-PIA-IMD-MEA-QTY-HAN-ALI-DTM-RFF-LOC-FTX-SG37-SG38-SG40-SG41-SG47-SG48-SG51-SG52-SG54-SG55-SG56 | | | |
| SG40 | O | 100 | PRI-CUX-APR-RNG-DTM-LOC | | | |
| 83 LOC | O | 1 | Place/location identification To identify a place or a location and/or related locations. | | | |
| Business Term | DE | EDIFACT | Format | St | * | Description |
| | 3227 | Location function code qualifier | an..3 | M | * | 162 Place or location of sale |
| | C517 | Location identification | | R | | |
| Place of sale, code | 3225 | Location name code | an..25 | R | | Th UN/LOCODE (2 digits) is to be used. This is identical with ISO 3166 which is used in DE 3207. AT Austria CH Swiss DE Germany |
| Segmentstatus: Depending, mandatory if location of sale is not identical with country of buyer (NAD+BY). | | | | | | |
| This segment is used to indicate the location of sale. | | | | | | |
| Example: LOC+162+AT' The location of sale is Austria | | | | | | |

Max. Occ. = Maximum Occurrence, St = Status, * = Restricted Codes
Status: M=Mandatory, R=Required, O=Optional, D=Dependent, A=Advised, N=Not used

Segment Layout

Detail section

| No. Seg | St | Max. Occ. | | | | |
|---|------------|---|--|---------------------|---|--|
| SG17 | O | 1000 | PGI-DTM-QTY-ALI-FTX-SG18-SG19-SG20-SG21-SG27-SG30-SG31-SG32-SG33-SG34-SG35-SG36 | | | |
| <p>A group of segments enabling the standard commercial factors relevant to a specific group of items to be specified. e.g. quantity related price break factors or minimum order quantity.</p> | | | | | | |
| SG36 | R | 999999 | LIN-PIA-IMD-MEA-QTY-HAN-ALI-DTM-RFF-LOC-FTX-SG37-SG38-SG40-SG41-SG47-SG48-SG51-SG52-SG54-SG55-SG56 | | | |
| SG41 | O | 99 | ALC-ALI-DTM-SG42-SG43-SG44-SG45-SG46 | | | |
| <p>A group of segments specifying allowances and charges for the whole pricing group. The allowances or charges specified within this group relate to the total pricing group and has to be added to the allowances and charges at heading level, if any. When relevant, additional information, tax details may be indicated. The basis for the calculation of the allowance/ charge may be a quantity, a percentage, an amount or a rate.</p> | | | | | | |
| 84 | ALC | M | 1 | Allowance or charge | | |
| To identify allowance or charge details. | | | | | | |
| Business Term | DE | EDIFACT | Format | St | * | Description |
| | 5463 | Allowance or charge code qualifier | an..3 | M | * | A Allowance |
| | C552 | Allowance/charge information | | O | | |
| Type of allowance or charge, article | 1230 | Allowance or charge identifier | an..35 | D | | The use of this dataelement has to be agreed mutually between the trading partners. |
| | 5189 | Allowance or charge identification code | an..3 | O | | |
| | 4471 | Settlement means code | an..3 | O | | |
| | 1227 | Calculation sequence code | an..3 | D | * | 1 First step of calculation 2 Second step of calculation etc, etc, etc, ... 9 Ninth step of calculation |
| | C214 | Special services identification | | D | | |
| | 7161 | Special service description code | an..3 | R | * | DI Discount |
| Segmentstatus: Optional | | | | | | |
| This segment is used to specify any allowances related to the article. | | | | | | |
| Example: ALC+A++++DI' | | | | | | |
| This segment announce a allowanc. | | | | | | |

Max. Occ. = Maximum Occurrence, St = Status, * = Restricted Codes
 Status: M=Mandatory, R=Required, O=Optional, D=Dependent, A=Advised, N=Not used

Segment Layout

Detail section

| No. Seg | St | Max. Occ. | |
|---|------------|-----------|--|
| SG17 | O | 1000 | PGI-DTM-QTY-ALI-FTX-SG18-SG19-SG20-SG21-SG27-SG30-SG31-SG32-SG33-SG34-SG35-SG36 |
| <p>A group of segments enabling the standard commercial factors relevant to a specific group of items to be specified. e.g. quantity related price break factors or minimum order quantity.</p> | | | |
| SG36 | R | 999999 | LIN-PIA-IMD-MEA-QTY-HAN-ALI-DTM-RFF-LOC-FTX-SG37-SG38-SG40-SG41-SG47-SG48-SG51-SG52-SG54-SG55-SG56 |
| SG41 | O | 99 | ALC-ALI-DTM-SG42-SG43-SG44-SG45-SG46 |
| <p>A group of segments specifying allowances and charges for the whole pricing group. The allowances or charges specified within this group relate to the total pricing group and has to be added to the allowances and charges at heading level, if any. When relevant, additional information, tax details may be indicated. The basis for the calculation of the allowance/ charge may be a quantity, a percentage, an amount or a rate.</p> | | | |
| SG42 | O | 1 | QTY-RNG |
| <p>A group of segments specifying the quantity of the allowance or charge with its measure unit specifier. A range to which the allowance or charge applies may be specified. e.g. An allowance of a free quantity of 20 pieces may be specified if the quantity of goods ordered is greater than 1000 pieces. The specified quantity of allowance is valid for each article of the grouping (default).</p> | | | |
| 85 | QTY | M 1 | Quantity To specify a pertinent quantity. |

| Business Term | DE | EDIFACT | Format | St | * | Description |
|--------------------------------|------|------------------------------|--------|----|---|-----------------------------------|
| | C186 | Quantity details | | M | | |
| | 6063 | Quantity type code qualifier | an..3 | M | * | 1 Discrete quantity |
| Quantity of allowance, article | 6060 | Quantity | an..35 | M | | Note: Use only numeric values. |

Segmentstatus: Optional

This segment is used to specify quantity allowances applicable for the article.

Example: QTY+1:2'
The free quantity is 2.

Max. Occ. = Maximum Occurrence, St = Status, * = Restricted Codes
Status: M=Mandatory, R=Required, O=Optional, D=Dependent, A=Advised, N=Not used

Segment Layout

Detail section

| No. Seg | St | Max. Occ. | | | | |
|---|------------|---------------------------|--|---------------|---|--|
| SG17 | O | 1000 | PGI-DTM-QTY-ALI-FTX-SG18-SG19-SG20-SG21-SG27-SG30-SG31-SG32-SG33-SG34-SG35-SG36 | | | |
| <p>A group of segments enabling the standard commercial factors relevant to a specific group of items to be specified. e.g. quantity related price break factors or minimum order quantity.</p> | | | | | | |
| SG36 | R | 999999 | LIN-PIA-IMD-MEA-QTY-HAN-ALI-DTM-RFF-LOC-FTX-SG37-SG38-SG40-SG41-SG47-SG48-SG51-SG52-SG54-SG55-SG56 | | | |
| SG41 | O | 99 | ALC-ALI-DTM-SG42-SG43-SG44-SG45-SG46 | | | |
| <p>A group of segments specifying allowances and charges for the whole pricing group. The allowances or charges specified within this group relate to the total pricing group and has to be added to the allowances and charges at heading level, if any. When relevant, additional information, tax details may be indicated. The basis for the calculation of the allowance/ charge may be a quantity, a percentage, an amount or a rate.</p> | | | | | | |
| SG42 | O | 1 | QTY-RNG | | | |
| <p>A group of segments specifying the quantity of the allowance or charge with its measure unit specifier. A range to which the allowance or charge applies may be specified. e.g. An allowance of a free quantity of 20 pieces may be specified if the quantity of goods ordered is greater than 1000 pieces. The specified quantity of allowance is valid for each article of the grouping (default).</p> | | | | | | |
| 86 | RNG | O | 1 | Range details | | |
| To identify a range. | | | | | | |
| Business Term | DE | EDIFACT | Format | St | * | Description |
| | 6167 | Range type code qualifier | an..3 | M | * | 1 Allowance range |
| | C280 | Range | | R | | |
| | 6411 | Measurement unit code | an..3 | M | | AMT amount H87 Piece (Old code value: PCE) All code values from EANCOM code list 6411 and UN/ECE Recommendation 20 code list available. |
| Range minimum value | 6162 | Range minimum value | n..18 | O | | |
| Range maximum value | 6152 | Range maximum value | n..18 | O | | |
| Segmentstatus: Depending, mandatory if the QTY has been used. | | | | | | |
| This segment is used to specify ranges which apply to the previous QTY segment. | | | | | | |
| Example: RNG+1+H87:20:29' | | | | | | |
| The range is from 20 to 29 pieces. | | | | | | |

Max. Occ. = Maximum Occurrence, St = Status, * = Restricted Codes
Status: M=Mandatory, R=Required, O=Optional, D=Dependent, A=Advised, N=Not used

Segment Layout

Detail section

| No. Seg | St | Max. Occ. | |
|---|------------|--------------------------------|--|
| SG17 | O | 1000 | PGI-DTM-QTY-ALI-FTX-SG18-SG19-SG20-SG21-SG27-SG30-SG31-SG32-SG33-SG34-SG35-SG36 |
| <p>A group of segments enabling the standard commercial factors relevant to a specific group of items to be specified. e.g. quantity related price break factors or minimum order quantity.</p> | | | |
| SG36 | R | 999999 | LIN-PIA-IMD-MEA-QTY-HAN-ALI-DTM-RFF-LOC-FTX-SG37-SG38-SG40-SG41-SG47-SG48-SG51-SG52-SG54-SG55-SG56 |
| SG41 | O | 99 | ALC-ALI-DTM-SG42-SG43-SG44-SG45-SG46 |
| <p>A group of segments specifying allowances and charges for the whole pricing group. The allowances or charges specified within this group relate to the total pricing group and has to be added to the allowances and charges at heading level, if any. When relevant, additional information, tax details may be indicated. The basis for the calculation of the allowance/ charge may be a quantity, a percentage, an amount or a rate.</p> | | | |
| SG43 | O | 1 | PCD-RNG |
| <p>A group of segments specifying the percentage for the allowance or charge, e.g. The allowance/charge amount is calculated as 5% of the goods value or a price reduction of 5% may be specified if the goods quantity ordered is within the range 5 tons to 10 tons.</p> | | | |
| 87 | PCD | M 1 | Percentage details |
| <p>To specify percentage information.</p> | | | |
| Business Term | DE | EDIFACT | Format St * Description |
| | C501 | Percentage details | M |
| | 5245 | Percentage type code qualifier | an..3 M * 12 Discount |
| Allowance in %, article | 5482 | Percentage | n..10 R |
| <p>Segmentstatus: Optional</p> <p>This segment is used to specify percentage allowances applicable for the article.</p> <p>Example: PCD+12:5' The allowance is 5%.</p> | | | |

Max. Occ. = Maximum Occurrence, St = Status, * = Restricted Codes
 Status: M=Mandatory, R=Required, O=Optional, D=Dependent, A=Advised, N=Not used

Segment Layout

Detail section

| No. Seg | St | Max. Occ. | | | | |
|---|------------|---------------------------|--|---------------|---|--|
| SG17 | O | 1000 | PGI-DTM-QTY-ALI-FTX-SG18-SG19-SG20-SG21-SG27-SG30-SG31-SG32-SG33-SG34-SG35-SG36 | | | |
| <p>A group of segments enabling the standard commercial factors relevant to a specific group of items to be specified. e.g. quantity related price break factors or minimum order quantity.</p> | | | | | | |
| SG36 | R | 999999 | LIN-PIA-IMD-MEA-QTY-HAN-ALI-DTM-RFF-LOC-FTX-SG37-SG38-SG40-SG41-SG47-SG48-SG51-SG52-SG54-SG55-SG56 | | | |
| SG41 | O | 99 | ALC-ALI-DTM-SG42-SG43-SG44-SG45-SG46 | | | |
| <p>A group of segments specifying allowances and charges for the whole pricing group. The allowances or charges specified within this group relate to the total pricing group and has to be added to the allowances and charges at heading level, if any. When relevant, additional information, tax details may be indicated. The basis for the calculation of the allowance/ charge may be a quantity, a percentage, an amount or a rate.</p> | | | | | | |
| SG43 | O | 1 | PCD-RNG | | | |
| <p>A group of segments specifying the percentage for the allowance or charge, e.g. The allowance/charge amount is calculated as 5% of the goods value or a price reduction of 5% may be specified if the goods quantity ordered is within the range 5 tons to 10 tons.</p> | | | | | | |
| 88 | RNG | O | 1 | Range details | | |
| To identify a range. | | | | | | |
| Business Term | DE | EDIFACT | Format | St | * | Description |
| | 6167 | Range type code qualifier | an..3 | M | * | 1 Allowance range |
| | C280 | Range | | R | | |
| | 6411 | Measurement unit code | an..3 | M | | AMT amount H87 Piece (Old code value: PCE) All code values from EANCOM code list 6411 and UN/ECE Recommendation 20 code list available. |
| Range minimum value | 6162 | Range minimum value | n..18 | O | | |
| Range maximum value | 6152 | Range maximum value | n..18 | O | | |
| Segmentstatus: Optional | | | | | | |
| This segment is used to specify ranges which apply to the previous QTY segment. | | | | | | |
| Example: RNG+1+H87:20:29' | | | | | | |
| The range is from 20 to 29 pieces. | | | | | | |

Max. Occ. = Maximum Occurrence, St = Status, * = Restricted Codes
 Status: M=Mandatory, R=Required, O=Optional, D=Dependent, A=Advised, N=Not used

Segment Layout

Detail section

| No. Seg | St | Max. Occ. | |
|---|------------|-------------------------------------|--|
| SG17 | O | 1000 | PGI-DTM-QTY-ALI-FTX-SG18-SG19-SG20-SG21-SG27-SG30-SG31-SG32-SG33-SG34-SG35-SG36 |
| <p>A group of segments enabling the standard commercial factors relevant to a specific group of items to be specified. e.g. quantity related price break factors or minimum order quantity.</p> | | | |
| SG36 | R | 999999 | LIN-PIA-IMD-MEA-QTY-HAN-ALI-DTM-RFF-LOC-FTX-SG37-SG38-SG40-SG41-SG47-SG48-SG51-SG52-SG54-SG55-SG56 |
| SG41 | O | 99 | ALC-ALI-DTM-SG42-SG43-SG44-SG45-SG46 |
| <p>A group of segments specifying allowances and charges for the whole pricing group. The allowances or charges specified within this group relate to the total pricing group and has to be added to the allowances and charges at heading level, if any. When relevant, additional information, tax details may be indicated. The basis for the calculation of the allowance/ charge may be a quantity, a percentage, an amount or a rate.</p> | | | |
| SG44 | O | 1 | MOA-RNG |
| <p>A group of segments specifying a monetary amount for an allowance or charge. A range to which the allowance or charge applies can be specified, e.g. an allowance of 5000 EUR may be specified if goods value ordered is greater than 100000 EUR.</p> | | | |
| 89 | MOA | M 1 | Monetary amount |
| <p>To specify a monetary amount.</p> | | | |
| Business Term | DE | EDIFACT | Format St * Description |
| | C516 | Monetary amount | M |
| | 5025 | Monetary amount type code qualifier | an..3 M * 204 Allowance amount |
| Amount of allowance, article | 5004 | Monetary amount | n..35 R Use only numeric values. |
| <p>Segmentstatus: Optional</p> <p>This segment is used to specify monetary amount allowances for the article.</p> <p>Example: MOA+204:6'</p> <p>The amount of allowance is 6 Euro.</p> | | | |

Max. Occ. = Maximum Occurrence, St = Status, * = Restricted Codes
 Status: M=Mandatory, R=Required, O=Optional, D=Dependent, A=Advised, N=Not used

Segment Layout

Detail section

| No. Seg | St | Max. Occ. | | | | |
|---|------------|---------------------------|--|---------------|---|--|
| SG17 | O | 1000 | PGI-DTM-QTY-ALI-FTX-SG18-SG19-SG20-SG21-SG27-SG30-SG31-SG32-SG33-SG34-SG35-SG36 | | | |
| <p>A group of segments enabling the standard commercial factors relevant to a specific group of items to be specified. e.g. quantity related price break factors or minimum order quantity.</p> | | | | | | |
| SG36 | R | 999999 | LIN-PIA-IMD-MEA-QTY-HAN-ALI-DTM-RFF-LOC-FTX-SG37-SG38-SG40-SG41-SG47-SG48-SG51-SG52-SG54-SG55-SG56 | | | |
| SG41 | O | 99 | ALC-ALI-DTM-SG42-SG43-SG44-SG45-SG46 | | | |
| <p>A group of segments specifying allowances and charges for the whole pricing group. The allowances or charges specified within this group relate to the total pricing group and has to be added to the allowances and charges at heading level, if any. When relevant, additional information, tax details may be indicated. The basis for the calculation of the allowance/ charge may be a quantity, a percentage, an amount or a rate.</p> | | | | | | |
| SG44 | O | 1 | MOA-RNG | | | |
| <p>A group of segments specifying a monetary amount for an allowance or charge. A range to which the allowance or charge applies can be specified, e.g. an allowance of 5000 EUR may be specified if goods value ordered is greater than 100000 EUR.</p> | | | | | | |
| 90 | RNG | O | 1 | Range details | | |
| <p>To identify a range.</p> | | | | | | |
| Business Term | DE | EDIFACT | Format | St | * | Description |
| | 6167 | Range type code qualifier | an..3 | M | * | 1 Allowance range |
| | C280 | Range | | R | | |
| | 6411 | Measurement unit code | an..3 | M | | AMT amount H87 Piece (Old code value: PCE) All code values from EANCOM code list 6411 and UN/ECE Recommendation 20 code list available. |
| Range minimum value | 6162 | Range minimum value | n..18 | O | | |
| Range maximum value | 6152 | Range maximum value | n..18 | O | | |
| <p>Segmentstatus: Optional</p> <p>This segment is used to specify ranges which apply to the previous QTY segment.</p> <p>Example: RNG+1+AMT:20:29' The range is from 20 to 29 Euro.</p> | | | | | | |

Max. Occ. = Maximum Occurrence, St = Status, * = Restricted Codes
 Status: M=Mandatory, R=Required, O=Optional, D=Dependent, A=Advised, N=Not used

Segment Layout

Detail section

| No. Seg | St | Max. Occ. | | | | |
|--|------------|------------------------------------|--|----|---|-------------------------|
| SG17 | O | 1000 | PGI-DTM-QTY-ALI-FTX-SG18-SG19-SG20-SG21-SG27-SG30-SG31-SG32-SG33-SG34-SG35-SG36 | | | |
| A group of segments enabling the standard commercial factors relevant to a specific group of items to be specified. e.g. quantity related price break factors or minimum order quantity. | | | | | | |
| SG36 | R | 999999 | LIN-PIA-IMD-MEA-QTY-HAN-ALI-DTM-RFF-LOC-FTX-SG37-SG38-SG40-SG41-SG47-SG48-SG51-SG52-SG54-SG55-SG56 | | | |
| SG47 | O | 1 | PAC-MEA-HAN | | | |
| 91 | PAC | M 1 | Package | | | |
| To describe the number and type of packages/physical units. | | | | | | |
| Business Term | DE | EDIFACT | Format | St | * | Description |
| | 7224 | Package quantity | n..8 | O | | |
| | C531 | Packaging details | | O | | |
| | 7075 | Packaging level code | an..3 | N | | |
| Marked with price | 7233 | Packaging related description code | an..3 | O | * | 53 Package price marked |
| Segmentstatus: Optional | | | | | | |
| Example: PAC++:53' | | | | | | |
| The article is marked with a price. | | | | | | |

Max. Occ. = Maximum Occurrence, St = Status, * = Restricted Codes
 Status: M=Mandatory, R=Required, O=Optional, D=Dependent, A=Advised, N=Not used

Segment Layout

Detail section

| No. Seg | St | Max. Occ. | | | | |
|--|------|------------------------------------|--|----|---|--|
| SG17 | O | 1000 | PGI-DTM-QTY-ALI-FTX-SG18-SG19-SG20-SG21-SG27-SG30-SG31-SG32-SG33-SG34-SG35-SG36 | | | |
| A group of segments enabling the standard commercial factors relevant to a specific group of items to be specified. e.g. quantity related price break factors or minimum order quantity. | | | | | | |
| SG36 | R | 999999 | LIN-PIA-IMD-MEA-QTY-HAN-ALI-DTM-RFF-LOC-FTX-SG37-SG38-SG40-SG41-SG47-SG48-SG51-SG52-SG54-SG55-SG56 | | | |
| SG47 | O | 1 | PAC-MEA-HAN | | | |
| 92 PAC | M | 1 | Package | | | |
| To describe the number and type of packages/physical units. | | | | | | |
| Business Term | DE | EDIFACT | Format | St | * | Description |
| | 7224 | Package quantity | n..8 | O | | |
| | C531 | Packaging details | | O | | |
| | 7075 | Packaging level code | an..3 | N | | |
| Marked with barcode | 7233 | Packaging related description code | an..3 | O | | 50 Package barcoded EAN-13 or EAN-8 51 Package barcoded ITF-14 52 Package barcoded UCC or EAN-128 |
| Segmentstatus: Optional | | | | | | |
| Example: PAC++:50' | | | | | | |
| The article is marked with a barcode. | | | | | | |

Max. Occ. = Maximum Occurrence, St = Status, * = Restricted Codes
 Status: M=Mandatory, R=Required, O=Optional, D=Dependent, A=Advised, N=Not used

Segment Layout

Detail section

| No. Seg | St | Max. Occ. | |
|---|------|-------------------------------------|--|
| SG17 | O | 1000 | PGI-DTM-QTY-ALI-FTX-SG18-SG19-SG20-SG21-SG27-SG30-SG31-SG32-SG33-SG34-SG35-SG36 |
| <p>A group of segments enabling the standard commercial factors relevant to a specific group of items to be specified. e.g. quantity related price break factors or minimum order quantity.</p> | | | |
| SG36 | R | 999999 | LIN-PIA-IMD-MEA-QTY-HAN-ALI-DTM-RFF-LOC-FTX-SG37-SG38-SG40-SG41-SG47-SG48-SG51-SG52-SG54-SG55-SG56 |
| SG47 | O | 1 | PAC-MEA-HAN |
| PAC | M | 1 | Package |
| <p>To describe the number and type of packages/physical units.</p> | | | |
| Business Term | DE | EDIFACT | Format St * Description |
| | 7224 | Package quantity | n..8 O |
| | C531 | Packaging details | O |
| | 7075 | Packaging level code | an..3 N |
| | 7233 | Packaging related description code | an..3 O |
| | 7073 | Packaging terms and conditions code | an..3 N |
| | C202 | Package type | O |
| Type of package | 7065 | Package type description code | an..17 A Textile meaning: lying Textile meaning: hanging |
| | 1131 | Code list identification code | an..17 O |
| | 3055 | Code list responsible agency code | an..3 D 9 GS1 |
| <p>Segmentstatus: Optional</p> <p>Example: PAC+++RJ::9' The article is delivered hanging on racks.</p> | | | |

Max. Occ. = Maximum Occurrence, St = Status, * = Restricted Codes
 Status: M=Mandatory, R=Required, O=Optional, D=Dependent, A=Advised, N=Not used

Segment Layout

Detail section

| No. Seg | St | Max. Occ. | | | | |
|--|------|-------------------------------------|--|----|---|---|
| SG17 | O | 1000 | PGI-DTM-QTY-ALI-FTX-SG18-SG19-SG20-SG21-SG27-SG30-SG31-SG32-SG33-SG34-SG35-SG36 | | | |
| A group of segments enabling the standard commercial factors relevant to a specific group of items to be specified. e.g. quantity related price break factors or minimum order quantity. | | | | | | |
| SG36 | R | 999999 | LIN-PIA-IMD-MEA-QTY-HAN-ALI-DTM-RFF-LOC-FTX-SG37-SG38-SG40-SG41-SG47-SG48-SG51-SG52-SG54-SG55-SG56 | | | |
| SG47 | O | 1 | PAC-MEA-HAN | | | |
| 94 PAC | M | 1 | Package | | | |
| To describe the number and type of packages/physical units. | | | | | | |
| Business Term | DE | EDIFACT | Format | St | * | Description |
| | 7224 | Package quantity | n..8 | N | | |
| | C531 | Packaging details | | O | | |
| | 7075 | Packaging level code | an..3 | R | | 1 Inner Indicates that the information is related to the content |
| | 7233 | Packaging related description code | an..3 | N | | |
| | 7073 | Packaging terms and conditions code | an..3 | N | | |
| | C202 | Package type | | O | | |
| | 7065 | Package type description code | an..17 | A | | Textile meaning: lying Textile meaning: hanging |
| | 1131 | Code list identification code | an..17 | R | | SKB Standard clothes hanger |
| | 3055 | Code list responsible agency code | an..3 | D | | 92 Assigned by buyer or buyer's agent 246 GS1 Germany |
| Clothes hanger type | 7064 | Type of packages | an..35 | R | | |
| Segmentstatus: Optional | | | | | | |
| This segment is only used to order textiles on clothes hangers. | | | | | | |
| If clothes hangers are used according SKRS recommendation (see Introduction) in DE 7064, DE 3055 is provided with code "246" otherwise "92". | | | | | | |
| Example: PAC++1+RJ:SKB:246:4023330990014 ' | | | | | | |
| The article is packed on clothes hanger type 4023330990014 according SKRS recommendation. | | | | | | |

Max. Occ. = Maximum Occurrence, St = Status, * = Restricted Codes
 Status: M=Mandatory, R=Required, O=Optional, D=Dependent, A=Advised, N=Not used

Segment Layout

Detail section

| No. Seg | St | Max. Occ. | | | | |
|--|------------|------------------------------|--|-----------------------------------|---|---|
| SG17 | O | 1000 | PGI-DTM-QTY-ALI-FTX-SG18-SG19-SG20-SG21-SG27-SG30-SG31-SG32-SG33-SG34-SG35-SG36 | | | |
| <p>A group of segments enabling the standard commercial factors relevant to a specific group of items to be specified. e.g. quantity related price break factors or minimum order quantity.</p> | | | | | | |
| SG36 | R | 999999 | LIN-PIA-IMD-MEA-QTY-HAN-ALI-DTM-RFF-LOC-FTX-SG37-SG38-SG40-SG41-SG47-SG48-SG51-SG52-SG54-SG55-SG56 | | | |
| SG51 | O | 1 | EFI-CED-COM-RFF-DTM-QTY | | | |
| <p>A group of segments that refers through an external file identification to each of the external engineering/CAD files and giving additional information about each of the files.</p> | | | | | | |
| 95 | EFI | M | 1 | External file link identification | | |
| <p>To specify the link of one non-EDIFACT external file to an EDIFACT message.</p> | | | | | | |
| Business Term | DE | EDIFACT | Format | St | * | Description |
| | C077 | File identification | | M | | |
| Name of file | 1508 | File name | an..35 | R | | |
| | 7008 | Item description | an..25 | O | | |
| | C099 | File details | | R | | |
| Format of file | 1516 | File format name | an..17 | M | | This data element is used to describe the format of the external object. If the object is a computer file the format may be BMP, PCX. If the external object is a video, the format may be SECAM, PAL, etc... If the object is in a physical form such as paper or transparencies, this data element should be filled with "OTHER". |
| | 1056 | Version identifier | an..9 | N | | |
| | 1503 | Data format description code | an..3 | R | | 3 Binary |
| <p>Segmentstatus: Optional</p> <p>This segment is used to identify an external object by indicating its identification and the format.</p> <p>Example: <code>EFI+EANCOM+html: : 3'</code> The object is a html file named EANCOM.</p> | | | | | | |

Max. Occ. = Maximum Occurrence, St = Status, * = Restricted Codes
 Status: M=Mandatory, R=Required, O=Optional, D=Dependent, A=Advised, N=Not used

Segment Layout

Detail section

| No. Seg | St | Max. Occ. | | | | |
|--|------------|--------------------------------------|--|-----------------------|---|--|
| SG17 | O | 1000 | PGI-DTM-QTY-ALI-FTX-SG18-SG19-SG20-SG21-SG27-SG30-SG31-SG32-SG33-SG34-SG35-SG36 | | | |
| <p>A group of segments enabling the standard commercial factors relevant to a specific group of items to be specified. e.g. quantity related price break factors or minimum order quantity.</p> | | | | | | |
| SG36 | R | 999999 | LIN-PIA-IMD-MEA-QTY-HAN-ALI-DTM-RFF-LOC-FTX-SG37-SG38-SG40-SG41-SG47-SG48-SG51-SG52-SG54-SG55-SG56 | | | |
| SG51 | O | 1 | EFI-CED-COM-RFF-DTM-QTY | | | |
| <p>A group of segments that refers through an external file identification to each of the external engineering/CAD files and giving additional information about each of the files.</p> | | | | | | |
| 96 | COM | O | 1 | Communication contact | | |
| <p>To identify a communication number of a department or a person to whom communication should be directed.</p> | | | | | | |
| Business Term | DE | EDIFACT | Format | St | * | Description |
| | C076 | Communication contact | | M | | |
| Adress in the internet | 3148 | Communication address identifier | an..51 | M | | |
| | 3155 | Communication address code qualifier | an..3 | M | | AO Uniform Resource Location (URL) Old code value: WWW (Not valid anymore!) |
| <p>Segmentstatus: Optional</p> <p>This segment is used to identify the communication address where the external object is to be found.</p> <p>Example: COM+www.gs1-germany.de:A0'</p> <p>The adress in the internet is: www.gs1-germany.de</p> | | | | | | |

Max. Occ. = Maximum Occurrence, St = Status, * = Restricted Codes
 Status: M=Mandatory, R=Required, O=Optional, D=Dependent, A=Advised, N=Not used

Segment Layout

| No. Seg | St | Max. Occ. | |
|---------------|----|-----------|---|
| SG17 | O | 1000 | PGI-DTM-QTY-ALI-FTX-SG18-SG19-SG20-SG21-SG27-SG30-SG31-SG32-SG33-SG34-SG35-SG36 A group of segments enabling the standard commercial factors relevant to a specific group of items to be specified. e.g. quantity related price break factors or minimum order quantity. |
| SG36 | R | 999999 | LIN-PIA-IMD-MEA-QTY-HAN-ALI-DTM-RFF-LOC-FTX-SG37-SG38-SG40-SG41-SG47-SG48-SG51-SG52-SG54-SG55-SG56 |
| SG56 | O | 999 | HYN-PIA-QTY-SG58 A group of segments to specify hierarchical connections from the given product to higher or lower levelled products. |
| 97 HYN | M | 1 | Hierarchy information A segment to identify hierarchical connections from a given item to a higher or lower levelled item or to identify dependencies among the content of hierarchically related groups of data. |

| Business Term | DE | EDIFACT | Format | St | * | Description |
|---------------|------|---|--------|----|---|--|
| | 7173 | Hierarchy object code qualifier | an..3 | M | | 2 Product |
| | 7171 | Hierarchical structure relationship code | an..3 | R | | 2 Child |
| | 1229 | Action request/ notification description code | an..3 | A | | |
| | C212 | Item number identification | | R | | |
| GTIN | 7140 | Item identifier | an..35 | R | | |
| | 7143 | Item type identification code | an..3 | R | | SRV GS1 Global Trade Item Number SA Supplier's article number |

Segmentstatus: Mandatory

This segment is used to provide hierarchical product information related to the current line item.

Example: HYN+2+2+++4012345123456:SRV'

This example indicates that the GTIN 4012345123456 of the HYN segment is a child in the product hierarchy to the GTIN identified in the LIN segment.

Max. Occ. = Maximum Occurrence, St = Status, * = Restricted Codes
 Status: M=Mandatory, R=Required, O=Optional, D=Dependent, A=Advised, N=Not used

Segment Layout

Detail section

| No. Seg | St | Max. Occ. | | | | |
|--|------|------------------------------|--|----|---|---|
| SG17 | O | 1000 | PGI-DTM-QTY-ALI-FTX-SG18-SG19-SG20-SG21-SG27-SG30-SG31-SG32-SG33-SG34-SG35-SG36 | | | |
| A group of segments enabling the standard commercial factors relevant to a specific group of items to be specified. e.g. quantity related price break factors or minimum order quantity. | | | | | | |
| SG36 | R | 999999 | LIN-PIA-IMD-MEA-QTY-HAN-ALI-DTM-RFF-LOC-FTX-SG37-SG38-SG40-SG41-SG47-SG48-SG51-SG52-SG54-SG55-SG56 | | | |
| SG56 | O | 999 | HYN-PIA-QTY-SG58 | | | |
| A group of segments to specify hierarchical connections from the given product to higher or lower levelled products. | | | | | | |
| 98 | | | QTY | R | 1 | Quantity |
| To specify a pertinent quantity. | | | | | | |
| Business Term | DE | EDIFACT | Format | St | * | Description |
| | C186 | Quantity details | | M | | |
| | 6063 | Quantity type code qualifier | an..3 | M | | 45E Number of units in higher packaging or configuration level (GS1 Temporary Code) |
| Quantity | 6060 | Quantity | an..35 | M | | Note: Use only numeric values. |
| Segmentstatus: Mandatory | | | | | | |
| Example: QTY+45E:20' The quantity is 20 pieces. | | | | | | |

Max. Occ. = Maximum Occurrence, St = Status, * = Restricted Codes
 Status: M=Mandatory, R=Required, O=Optional, D=Dependent, A=Advised, N=Not used

Segment Layout

Price/Sales Catalogue Summary Section
End of the message

| No. Seg | St | Max. Occ. | | | | |
|--|------------|-----------------------------------|--|----|---|--|
| 99 | UNT | M 1 | Message trailer To end and check the completeness of a message. | | | |
| Business Term | DE | EDIFACT | Format | St | * | Description |
| Number of segments within a message | 0074 | Number of segments in the message | n..6 | M | | |
| | 0062 | Message reference number | an..14 | M | | The reference number from the UNH segment must be repeated here Same contents as DE 0062 in the UNH segment |
| Segmentstatus: Mandatory | | | | | | |
| This segment is a mandatory UN/EDIFACT segment. It must always be the last segment in the message. | | | | | | |
| Example: UNT+99+ME0001' Number of segments in the message. | | | | | | |

Max. Occ. = Maximum Occurrence, St = Status, * = Restricted Codes
Status: M=Mandatory, R=Required, O=Optional, D=Dependent, A=Advised, N=Not used

Segment Layout

| No. Seg | St | Max. Occ. | | | | |
|---|------------|-------------------------------|---|----|---|--|
| 100 | UNZ | M 1 | Interchange trailer To end and check the completeness of an interchange. | | | |
| Business Term | DE | EDIFACT | Format | St | * | Description |
| End of the transmission file, Number of messages or message groups | 0036 | Interchange control count | n..6 | M | | Number of messages or message groups in the transmission file. |
| Interchange control reference, end | 0020 | Interchange control reference | an..14 | M | | Interchange control reference, identical with UNB DE 0020. |
| <p>The UNZ segment is the last segment of the transmission file.</p> <p>Note DE 0036: If functional groups are not used, this is the number of messages within the interchange.</p> <p>Example: UNZ+1+4711' The transmission file contains 1 message.</p> | | | | | | |

Max. Occ. = Maximum Occurrence, St = Status, * = Restricted Codes
 Status: M=Mandatory, R=Required, O=Optional, D=Dependent, A=Advised, N=Not used

Used Codes

| | |
|-------------|---|
| 0001 | <p>Syntax identifier Coded identification of the agency controlling a syntax and syntax level used in an interchange.</p> <p>Notes: 1. a3, upper case, Controlling Agency (e.g. UNO=UN/ECE) and a1 stating level (e.g. A) (which together give UNOA).</p> |
| UNOA | <p>UN/ECE level A As defined in the basic code table of ISO 646 with the exceptions of lower case letters, alternative graphic character allocations and national or application-oriented graphic character allocations.</p> |
| UNOB | <p>UN/ECE level B As defined in the basic code table of ISO 646 with the exceptions of alternative graphic character allocations and national or application-oriented graphic character allocations.</p> |
| UNOC | <p>UN/ECE level C As defined in ISO/IEC 8859-1 : Information technology - Part 1: Latin alphabet No. 1.</p> |
| UNOD | <p>UN/ECE level D As defined in ISO/IEC 8859-2 : Information technology - Part 2: Latin alphabet No. 2.</p> |
| UNOE | <p>UN/ECE level E As defined in ISO/IEC 8859-5 : Information technology - Part 5: Latin/Cyrillic alphabet.</p> |
| UNOF | <p>UN/ECE level F As defined in ISO 8859-7 : Information processing - Part 7: Latin/Greek alphabet.</p> |
| 0002 | <p>Syntax version number Version number of the syntax identified in the syntax identifier (0001)</p> <p>Notes: 1. Increments 1 for each version.</p> |
| 3 | <p>Version 3 ISO 9735 Amendment 1:1992. GS1 Description: Syntax version number 3. This code can be used with all of the character sets (A, B, C, D, E and F).</p> |

Used Codes

| | |
|-------------|--|
| 0007 | Partner identification code qualifier Qualifier referring to the source of codes for the identifiers of interchanging partners. |
| | Notes: 1. Used with sender/recipient identification code. |
| 14 | GS1 Partner identification code assigned by GS1, an international organization of GS1 Member Organizations that manages the GS1 System. |
| 0025 | Recipient's reference/password qualifier Qualifier for the recipient's reference or password. |
| | Notes: 1. If specified in IA. |
| AA | Reference Recipient's reference/password is a reference. |
| BB | Password Recipient's reference/password is a password. |
| 0029 | Processing priority code Code determined by the sender requesting processing priority for the interchange. |
| | Notes: 1. Used if specified in IA. |
| A | Highest priority Requested processing priority is the highest. |
| 0031 | Acknowledgement request Code determined by the sender for acknowledgement of the interchange. |
| | Notes: 1. Set = 1 if sender requests acknowledgement, i.e. UNB and UNZ segments received and identified. |
| 1 | Requested Acknowledgement is requested. |
| 0035 | Test indicator Indication that the interchange is a test. |
| | Notes: 1. Set = 1 if the interchange is a test. Otherwise not used. |

Used Codes

| | |
|-------------|--|
| 1 | Interchange is a test Indicates that the interchange is a test. |
| 0051 | Controlling agency Code to identify the agency controlling the specification, maintenance and publication of the message type. |
| UN | UN/CEFACT United Nations Centre for Trade Facilitation and Electronic Business (UN/CEFACT). GS1 Description: UN Economic Commission for Europe (UN/ECE), Committee on the development of trade (TRADE), Working Party on facilitation of international trade procedures (WP.4). |
| 0052 | Message version number Version number of a message type. Notes: 1. If UNG/UNE is used, shall be identical in UNG and UNE. The representation of 0052 was specified as n..3 in version 1 of ISO 9735. |
| D | Draft version/UN/EDIFACT Directory Message approved and issued as a draft message (Valid for directories published after March 1993 and prior to March 1997). Message approved as a standard message (Valid for directories published after March 1997). |
| 0054 | Message release number Release number within the current message type version number (0052). Notes: 1. The representation of 0054 was specified as n..3 in version 1 of ISO 9735. |
| 01B | Release 2001 - B Message approved and issued in the second 2001 release of the UNTDID (United Nations Trade Data Interchange Directory). |
| 0057 | Association assigned code A code assigned by the association responsible for the design and maintenance of the message type concerned, which further identifies the message. |
| EAN009 | GS1 version control number (GS1 Permanent Code) Indicates that the message is an EANCOM message in version 009. |
| 0065 | Message type Code identifying a type of message and assigned by its controlling agency. Notes: 1. Type of message being transmitted. |

Used Codes

| | |
|-------------|--|
| PRICAT | <p>Price/sales catalogue message</p> <p>A code to identify the price/sales catalogue message.</p> <p>GS1 Description: Message to enable the transmission of information regarding pricing and catalogue details for goods and services offered by a seller to a buyer.</p> |
| 1001 | <p>Document name code</p> <p>Code specifying the document name.</p> |
| 9 | <p>Price/sales catalogue</p> <p>A document/message to enable the transmission of information regarding pricing and catalogue details for goods and services offered by a seller to a buyer.</p> |
| 1131 | <p>Code list identification code</p> <p>Code identifying a user or association maintained code list.</p> <p>Notes: 1. The codes for this data element are provided by the code list responsible agency defined in data element 3055.</p> |
| 23 | <p>Clearing house automated payment</p> <p>Self explanatory.</p> <p>Notes: This code value will be removed effective with directory D.04A.</p> <p>GS1 Description: Banking community' automated payment clearing system.</p> |
| 25 | <p>Bank identification</p> <p>Code for identification of banks.</p> <p>Notes: This code value will be removed effective with directory D.04A.</p> |
| 106 | <p>Incoterms 1980</p> <p>(4110) Code to indicate applicable Incoterm (1980 edition) under which seller undertakes to deliver merchandise to buyer (ICC). Incoterms 1990: use 4053 only.</p> <p>Notes: This code value will be removed effective with directory D.04A.</p> |
| 132 | <p>Charge</p> <p>Identification of a type of charge.</p> <p>Notes: This code value will be removed effective with directory D.04A.</p> |

Used Codes

| | |
|-----|---|
| 154 | <p>Bank branch sorting identification Identification of a specific branch of a bank.</p> <p>Notes: This code value will be removed effective with directory D.04A.</p> |
| 157 | <p>Clearing code Identification of the responsible bank/clearing house which has cleared or is ordered to do the clearing.</p> <p>Notes: This code value will be removed effective with directory D.04A.</p> |
| 166 | <p>Social security identification Code assigned by the authority competent to issue social security identification to identify a person.</p> <p>Notes: This code value will be removed effective with directory D.04A.</p> |
| 174 | <p>Citizen identification Self explanatory.</p> <p>Notes: This code value will be removed effective with directory D.04A.</p> <p>GS1 Description: Code issued by national authority competent to issue citizen identification to identify a person.</p> |
| 1E | <p>Incoterms 1990 (GS1 Temporary Code) Incoterms 1990 as published by the International Chamber of Commerce (ICC).</p> |
| 2E | <p>Incoterms 2000 (GS1 Temporary Code) Incoterms 2000 as published by the International Chamber of Commerce (ICC).</p> |
| 3E | <p>Incoterms 2010 (GS1 Temporary Code) Incoterms 2010 as published by the International Chamber of Commerce (ICC).</p> |
| ADR | <p>Accord Europeen au transport international dangereuses (GS1 Temporary Code) A European agreement concerning the international carriage of dangerous goods by road.</p> |
| BR | <p>Brand (GS1 Temporary Code) An identifying mark or label on the products of a particular company, or the kind or make of a commodity.</p> |
| CA | <p>Category (GS1 Temporary Code) A class or division in a scheme of classification.</p> |

Used Codes

| | |
|-----|--|
| CO | Colour (GS1 Temporary Code) Description of the colour required/available on the goods. |
| FL | Flavor (GS1 Temporary Code) The characteristic quality of goods. |
| HMT | Hazardous material standard text (GS1 Temporary Code) Code indicating agreed standard text on hazardous materials. |
| LOC | Location Code (GS1 Temporary Code) This is a code to indicate where the EAS tag is located on the Trade Item. Values include On outside of Trade Item, Concealed inside Trade Item, Integrated Inside Trade Item. |
| OAG | Organic Claim Agency (GS1 Temporary Code) A governing body that creates and maintain standards related to organic products. |
| OCO | Organic Trade Item Code (GS1 Temporary Code) Used to indicate the organic status of a trade item or of one or more of its components. |
| OUM | Ordering unit of measure (GS1 Temporary Code) The alternate Unit of Measure of how Trade Items are ordered by the Retailer under one Unit of Measure, but sold under another Unit of Measure. |
| SKB | SKRS recommendation (GS1 Temporary Code) SKRS recommendation for standard clothes hanger. |
| SRN | Service relation number (GS1 Temporary Code) A number used to identify a database entry which records recurring services, e.g., treatment of a patient in a hospital, usage by a member of a library facilities, etc. |
| ST | Style (GS1 Temporary Code) Specific or characteristic design in any goods. |
| SUM | Selling unit of measure (GS1 Temporary Code) Describes the measurement used for selling unit of the Trade Item to the end consumer. |
| SZ | Size (GS1 Temporary Code) Any of a series of graded classifications of measure into which goods are divided. |
| SZG | Size Group (GS1 Temporary Code) A description of the variable size that is necessary to uniquely specify the size of the item in conjunction with the nonpackaged size dimension. |
| TYP | Type Code (GS1 Temporary Code) This is a code to indicate the type of EAS tag located on the Trade Item. Values include Acousto-Magnetic, Electro-Magnetic, Ink or dye, Microwave, Radio Frequency. |

Used Codes

| | |
|-----|--|
| X11 | Diet Allergen (GS1 Temporary Code) Indication of which dietary or allergen marks that are on the package. |
| X12 | Environment (GS1 Temporary Code) Indication of which environmental marks (e.g. recycling schemes) that are on trade item package. |
| X13 | Ethical (GS1 Temporary Code) Indication of which ethical trading marks that are on the package. |
| X14 | Free Form (GS1 Temporary Code) Indication of which free-from marks that are on the package. |
| X15 | Expiration date (GS1 Temporary Code) Indicates the type of expiration date marked on the packaging. |
| X16 | Nesting Direction (GS1 Temporary Code) Depicts the arrangement of two items that nest together specifically whether they nest against each other or on top of each other. |
| X17 | Package Marks Hygienic (GS1 Temporary Code) Indication of which hygiene markings are present in the product package |
| X18 | Hazardous Components are Removable (GS1 Temporary Code) An indicator if any hazardous components contained within the trade item can easily be separated from the other materials to facilitate product recycling. |
| X19 | Trade Item Has Refuse Obligations (GS1 Temporary Code) Indicates if there are special disposal obligations that apply to the trade item for example INTRASTAT. |
| X20 | Trade Item Is Designed for Easy Disassembly (GS1 Temporary Code) Indicates that the trade item is designed for easy disassembly by recycling facilities using standard industry tools. |
| X21 | Trade Item Is Rigid Plastic Packaging Container (GS1 Temporary Code) Indicates that a product is or is contained in a Rigid Plastic Packaging Container (RPPC) as defined by laws in the target market. |
| X22 | Trade Item Is ROHS Compliant (GS1 Temporary Code) Indicates if the product is compliant with the European Union RoHS Directive. |
| X23 | Trade Item Is Universal Waste (GS1 Temporary Code) Indicates if a product can be considered universal waste. |
| X24 | Trade Item Is Consumer Upgradeable Or Maintainable (GS1 Temporary Code) Indicates if a product can be easily upgraded or have parts replaced by the consumer. |
| X25 | Trade Item Contains Short Chain Chlorinated Paraffins (GS1 Temporary Code) Indicate if the trade item and/or its components contain paints, coatings, plastics or other materials containing short chain chlorinated paraffins (SCCPs). |

Used Codes

| | |
|-----|--|
| X26 | Trade Item Contains Pesticide (GS1 Temporary Code) Indicates if the trade item is advertised or labelled as a chemical or contains a chemical that is advertised or labelled to kill, repel or prevent the growth of any living organism. |
| X27 | Trade Item Contains Propellant (GS1 Temporary Code) Indicates if a trade item contains a compressed gas or propellant. |
| X28 | Trade Item Contains Polyvinyl Chloride (GS1 Temporary Code) Indicate if product contains Polyvinyl Chloride (PVC), a widely used thermoplastic polymer. |
| X29 | Trade Item Chemical Is Not Intended For Human Consumption (GS1 Temporary Code) Indicates that the trade item is or contains a Liquid, Gel, Paste, Powder, or Flammable solid not intended for human consumption (ingested). |
| X30 | ROHS Compliance Failure Material (GS1 Temporary Code) The material used in the trade item that does not comply with the ROHS Directives |
| X31 | Packaging Terms And Condition (GS1 Temporary Code) Indicates if the packaging given in the described packaging configuration is a rented, exchangeable, against deposit or one way/not reusable. |
| X32 | Warranty Effective Date Type (GS1 Temporary Code) The type of date associated with the warranty trade item usually expressed as an event date for the item for example date of purchase, date of manufacture or date of delivery. |
| X33 | Warranty Type (GS1 Temporary Code) Type of warranty available for the part, e.g. labour, distance, extended service. |
| X35 | Warranty Constraint (GS1 Temporary Code) Defines the relationship between different guarantee terms, e.g. "and", "or", "the stronger", "the weaker". |
| X36 | Seasonal Availability End Date (GS1 Temporary Code) Indicates the end date of the trade item's seasonal availability. |
| X37 | Seasonal Availability Start Date (GS1 Temporary Code) Indicates the start date of the trade item's seasonal availability. |
| X38 | Season Calendar Year (GS1 Temporary Code) This element indicates the calendar year in which the trade item is seasonally available. |
| X39 | Season Parameter (GS1 Temporary Code) Indication of the season, in which the trade item is available. |
| X40 | Trade Item Automatic Power Down is Enabled (GS1 Temporary Code) An indicator whether a product is enabled with auto power down feature when shipped to the customer. |

Used Codes

| | |
|-----|---|
| X41 | Electrical Usage Agency Code (GS1 Temporary Code) The agency that regulates electrical usage for products within a target market. |
| X42 | Nesting Type (GS1 Temporary Code) Depicts whether a nested item fits inside or over the other item in a nesting relationship. |
| X43 | Display Dimension Type Code (GS1 Temporary Code) Depicts certain display scenarios used for measurement. |
| X44 | Manufacturer Has Take Back Program (GS1 Temporary Code) Indicates if the manufacturer of the trade item offers any take back programs to consumers for the product to be reused, remanufactured or recycled by the manufacturer. |
| X45 | Display Resolution (GS1 Temporary Code) The display resolution of a television or computer display. |
| X46 | Orientation Preference Sequence (GS1 Temporary Code) Depicts the preferred sequence of orientation used to communicate the manufacturers relative preferences of orientation. |
| X47 | Orientation Type (GS1 Temporary Code) Depicts via code a display orientation for a trade item. |
| X48 | Electrical Usage Trade Item Classification Code (GS1 Temporary Code) A classification code value from a product classification scheme provided to drive required information for electrical usage. |
| X49 | Electrical Usage Trade Item Classification Name (GS1 Temporary Code) A classification name from a product classification scheme provided to drive required information for electrical usage. |
| X50 | Electrical Usage SubClassification Code (GS1 Temporary Code) A sub-classification code value from a product classification scheme provided to drive required information for electrical usage. |
| X51 | Electrical Usage SubClassification Name (GS1 Temporary Code) A sub-classification name provided to drive required information for electrical usage. |
| X52 | Confirmation Status Code (GS1 Temporary Code) The CIC Confirmation Code must be of a type of code number that can be generated automatically by a computer system. |
| X53 | Confirmation Status Code Description (GS1 Temporary Code) Provides the code description that matches up with the Code that can possibly be generated automatically by a computer system. |
| X54 | Additional Confirmation Status Description (GS1 Temporary Code) Provides a way to communicate human entered information that may not be covered by the machine to machine codes and descriptions. |

Used Codes

| | |
|-------------|---|
| X55 | Corrective Action (GS1 Temporary Code) Provides the corrective action code to fix the issue that caused the problem. |
| X56 | Expected Corrective Information (GS1 Temporary Code) Provides the expected corrective information via a human entered information that may not be covered by the machine to machine codes. |
| X57 | Electrical Usage Trade Item Classification Agency (GS1 Temporary Code) A classification agency or organisation whose product classification scheme is being provided to drive required information for electrical usage. |
| X58 | ASFIS (GS1 Permanent Code) FAO alph-3 code list for fish species identification, commercial name & scientific name. |
| X59 | FAO fishing areas (GS1 Permanent Code) FAO fishing areas codelist. |
| X60 | FAO Fishing gear type (GS1 Permanent Code) FAO Fishing gear type codelist. |
| X61 | EU fish quality (GS1 Permanent Code) EU fish quality grade code list (E, A, B, C). |
| X62 | EU fish size (GS1 Permanent Code) EU fish standardized size code list (1, 2, 3, 4, 5 & One_Size). |
| X63 | EU fish presentation (GS1 Permanent Code) EU fish presentation code list (3 or 5 char alpha code). |
| ZZZ | Mutually defined Self explanatory. Note : This code value will be removed effective with directory D.04A. |
| BOEV | BOEV (fix value) |
| BTE | BTE (fix value) |
| DTB | DTB (fix value) |
| EAS | EAS (fix value) |
| FEDAS | FEDAS (fix value) |
| MEDIA | Media (fix value) |
| 1153 | Reference code qualifier Code qualifying a reference. |
| GN | Government reference number A number that identifies a government reference. GS1 Description: This code value should not be used to provide the tax identification number for a party (use code VA). |

Used Codes

1225

Message function code
Code indicating the function of the message.

9 Original
Initial transmission related to a given transaction.

1227

Calculation sequence code
Code specifying a calculation sequence.

1 First step of calculation
Code specifying the first step of a calculation.

2 Second step of calculation
Code specifying the second step of a calculation.

3 Third step of calculation
Code specifying the third step of a calculation.

4 Fourth step of calculation
Code specifying the fourth step of a calculation.

5 Fifth step of calculation
Code specifying the fifth step of a calculation.

6 Sixth step of calculation
Code specifying the sixth step of a calculation.

7 Seventh step of calculation
Code specifying the seventh step of a calculation.

8 Eighth step of calculation
Code specifying the eighth step of a calculation.

9 Ninth step of calculation
Code specifying the ninth step of a calculation.

1229

Action request/notification description code
Code specifying the action to be taken or already taken.

1 Added
The information is to be or has been added.
GS1 Description:
This line item is added to a referenced message or an existing data base.

2 Deleted
The information is to be or has been deleted.
GS1 Description:
This line item is deleted from a referenced message or an existing data base.

Used Codes

| | |
|-----|---|
| 3 | <p>Changed</p> <p>The information is to be or has been changed.</p> <p>GS1 Description: This line item is changed in a referenced message or an existing data base. A change to data on a data base would normally result in the creation of a history entry recording the correction.</p> |
| 4 | <p>No action</p> <p>This line item is not affected by the actual message.</p> |
| 5 | <p>Accepted without amendment</p> <p>This line item is entirely accepted by the seller.</p> |
| 6 | <p>Accepted with amendment</p> <p>This line item is accepted but amended by the seller.</p> |
| 7 | <p>Not accepted</p> <p>This line item is not accepted by the seller.</p> |
| 10 | <p>Not found</p> <p>This line item is not found in the referenced message.</p> |
| 11 | <p>Not amended</p> <p>This line is not amended by the buyer.</p> |
| 23 | <p>Proposed amendment</p> <p>A code used to indicate an amendment suggested by the sender.</p> |
| 24 | <p>Accepted with amendment, no confirmation required</p> <p>Accepted with changes which require no confirmation.</p> |
| 38 | <p>Replaced</p> <p>Provide a replacement.</p> |
| 55 | <p>Referred item, rejected</p> <p>The item being referred to has been rejected.</p> |
| 74 | <p>Reopened</p> <p>Opened again.</p> <p>GS1 Description: A line item that was marked for deletion is reactivated in the referenced message or existing database.</p> |
| 96 | <p>Correction of error</p> <p>A correction to information previously communicated which contained an error.</p> |
| 115 | <p>Prior addition</p> <p>This existing line item becomes available at an earlier date.</p> <p>A line item, which has already been added with a certain start validity date is added again with a validity date prior to that of the last addition in the referenced message or existing database.</p> |
| 11E | <p>Reporting item details included (SWIFT Code)</p> <p>Reporting item details are included.</p> |

Used Codes

| | |
|-----|--|
| 12E | No advice (SWIFT Code) No details will be advised. |
| 13E | Reporting item details sent separately (SWIFT Code) Reporting item details have been transmitted separately. |
| 14E | Reporting item details to follow (SWIFT Code) Reporting item details will be sent separately. |
| XB6 | Reporting item details advised just-in-time (SWIFT Code) Reporting item details will be advised just-in-time. |

1503

Data format description code
Code specifying the data format.

| | |
|---|--|
| 3 | Binary Code to identify a binary format. |
| 4 | Analogue Code to identify an analogue format. |

2005

Date or time or period function code qualifier
Code qualifying the function of a date, time or period.

| | |
|-----|--|
| 44 | Availability Date/time when received item is available. |
| 63 | Delivery date/time, latest Date identifying a point of time after which goods shall not or will not be delivered. |
| 64 | Delivery date/time, earliest Date identifying a point in time before which the goods shall not be delivered. |
| 137 | Document/message date/time (2006) Date/time when a document/message is issued. This may include authentication. |
| 157 | Validity start date The first date of a period for which something is valid. |
| 194 | Start date/time Date/time on which a period starts. |
| 206 | End date/time Date/time on which a period (from - to) ends. |
| 382 | Earliest sale date The earliest date on which the product may be made available for sale. |
| 423 | First date of ordering The first date on which ordering may take place. |

Used Codes

| | |
|-------------|--|
| 424 | Last date of ordering The last date on which ordering may take place. |
| 2379 | Date or time or period format code Code specifying the representation of a date, time or period. |
| 2 | DDMMYY Calendar date: D = Day; M = Month; Y = Year. |
| 101 | YYMMDD Calendar date: Y = Year; M = Month; D = Day. |
| 102 | CCYYMMDD Calendar date: C = Century ; Y = Year ; M = Month ; D = Day. |
| 104 | MMWW-MMWW A period of time specified by giving the start week of a month followed by the end week of a month. Data is to be transmitted as consecutive characters without hyphen. |
| 107 | DDD Day's number within a specific year: D = Day. |
| 108 | WW Week's number within a specific year: W = Week. |
| 109 | MM Month's number within a specific year: M = Month. |
| 110 | DD Day's number within is a specific month. |
| 201 | YYMMDDHHMM Calendar date including time without seconds: Y = Year; M = Month; D = Day; H = Hour; M = Minute. |
| 203 | CCYYMMDDHHMM Calendar date including time with minutes: C=Century; Y=Year; M=Month; D=Day; H=Hour; M=Minutes. |
| 204 | CCYYMMDDHHMMSS Calendar date including time with seconds: C=Century;Y=Year; M=Month; D=Day;H=Hour;M=Minute;S=Second. |
| 401 | HHMM Time without seconds: H = Hour; m = Minute. |
| 501 | HHMMHHMM Time span without seconds: H = Hour; m = Minute;. |
| 502 | HHMMSS-HHMMSS Format of period to be given without hyphen. |

Used Codes

| | |
|-----|---|
| 602 | CCYY Calendar year including century: C = Century; Y = Year. |
| 609 | YYMM Month within a calendar year: Y = Year; M = Month. |
| 610 | CCYMM Month within a calendar year: CC = Century; Y = Year; M = Month. |
| 615 | YYWW Week within a calendar year: Y = Year; W = Week 1st week of January = week 01. |
| 616 | CCYYWW Week within a calendar year: CC = Century; Y = Year; W = Week (1st week of January = week 01). |
| 713 | YYMMDDHHMM-YYMMDDHHMM Format of period to be given in actual message without hyphen. |
| 715 | YYWW-YYWW A period of time specified by giving the start week of a year followed by the end week of year (both not including century). Data is to be transmitted as consecutive characters without hyphen. |
| 717 | YYMMDD-YYMMDD Format of period to be given in actual message without hyphen. |
| 718 | CCYMMDD-CCYMMDD Format of period to be given without hyphen. |
| 719 | CCYMMDDHHMM-CCYMMDDHHMM A period of time which includes the century, year, month, day, hour and minute. Format of period to be given in actual message without hyphen. |
| 720 | DHHMM-DHHMM Format of period to be given without hyphen (D=day of the week, 1=Monday; 2=Tuesday; ... 7=Sunday). |
| 801 | Year To indicate a quantity of years. |
| 802 | Month To indicate a quantity of months. |
| 803 | Week To indicate a quantity of weeks. |
| 804 | Day To indicate a quantity of days. |
| 805 | Hour To indicate a quantity of hours. |

Used Codes

| | |
|-------------|--|
| 806 | Minute To indicate a quantity of minutes. |
| 810 | Trimester To indicate a quantity of trimesters (three months). |
| 811 | Half month To indicate a quantity of half months. |
| 21E | DDHHMM-DDHHMM (GS1 Temporary Code) Format of period to be given in actual message without hyphen. |
| 3035 | Party function code qualifier Code giving specific meaning to a party. |
| MR | Message recipient A party to receive a message or messages. |
| SU | Supplier Party who supplies goods and/or services. GS1 Description: Party which provides service(s) and/or manufactures or otherwise has possession of goods, and consigns or makes them available in trade. |
| 3055 | Code list responsible agency code Code specifying the agency responsible for a code list. |
| 2 | CEC (Commission of the European Communities) Generic: see also 140, 141, 142, 162. GS1 Description: Commission of the European Communities |
| 3 | IATA (International Air Transport Association) The airline industry's international organisation. GS1 Description: International Air Transport Association |
| 5 | ISO (International Organization for Standardization) International Organization of Standardization. |
| 6 | UN/ECE (United Nations - Economic Commission for Europe) United Nations Economic Commission for Europe. |
| 7 | CEFIC (Conseil European des Federations de l'Industrie Chimique) EDI project for chemical industry. |
| 8 | EDIFICE Standardised electronic commerce forum for companies with interests in computing, electronics and telecommunications. GS1 Description: EDI Forum for companies with Interest in Computing and Electronics (EDI project for EDP/ADP sector). |

Used Codes

| | |
|----|---|
| 9 | <p>GS1 GS1 (formerly EAN International), an organisation of GS1 Member Organisations, which manages the GS1 System. GS1 Description: GS1 International.</p> |
| 10 | <p>ODETTE Organization for Data Exchange through Tele-Transmission in Europe (European automotive industry project).</p> |
| 17 | <p>S.W.I.F.T. Society for Worldwide Interbank Financial Telecommunications s.c.</p> |
| 28 | <p>EDITEUR (European book sector electronic data interchange group) Code identifying the pan European user group for the book industry as an organisation responsible for code values in the book industry.</p> |
| 60 | <p>Assigned by national trade agency The code list is from a national agency.</p> |
| 65 | <p>GS1 France Organisation responsible for GS1 System in France.</p> |
| 68 | <p>GS1 Italy Organisation responsible for GS1 System in Italy.</p> |
| 83 | <p>US, National Retail Federation The National Retail Federation is the trade association for the general merchandise retailing industry. In addition to providing support and education services, they also maintain and publish standard colour and size codes for the retail industry.</p> |
| 84 | <p>DE, BRD (Gesetzgeber der Bundesrepublik Deutschland) German legislature.</p> |
| 86 | <p>Assigned by party originating the message Codes assigned by the party originating the message.</p> |
| 87 | <p>Assigned by carrier Codes assigned by the carrier.</p> |
| 88 | <p>Assigned by owner of operation Assigned by owner of operation (e.g. used in construction).</p> |
| 89 | <p>Assigned by distributor Codes assigned by a distributor.</p> |
| 90 | <p>Assigned by manufacturer Code assigned by the manufacturer.</p> |
| 91 | <p>Assigned by supplier or supplier's agent Codes assigned by a seller or seller's agent. GS1 Description: Code assigned by the supplier or supplier's agent.</p> |

Used Codes

| | |
|-----|---|
| 92 | Assigned by buyer or buyer's agent Codes assigned by a buyer or buyer's agent. |
| 112 | US, U.S. Census Bureau The Bureau of the Census of the U.S. Dept. of Commerce. |
| 113 | GS1 US Organisation responsible for GS1 System in the USA. |
| 116 | US, ANSI ASC X12 American National Standards Institute ASC X12. |
| 131 | DE, German Bankers Association German Bankers' Association. |
| 136 | GS1 UK Organisation responsible for GS1 System in the UK. |
| 137 | AT, Verband oesterreichischer Banken und Bankiers Austrian bankers association. |
| 174 | DE, DIN (Deutsches Institut fuer Normung) German standardization institute. |
| 182 | US, Standard Carrier Alpha Code (Motor) Organisation maintaining the SCAC lists and transportation operating in North America. |
| 194 | AU, AQIS (Australian Quarantine and Inspection Service) Australian Quarantine and Inspection Service. |
| 200 | GS1 Netherlands Organisation responsible for GS1 System in the Netherlands. |
| 245 | GS1 Denmark Organisation responsible for GS1 System in Denmark. |
| 246 | GS1 Germany Organisation responsible for GS1 System in Germany. GS1 Description: German representative of International Article Numbering association (GS1). |
| 260 | Ediel Nordic forum A code to identify Ediel Nordic forum, which is an organization standardizing the use of EDI between the participants in the Nordic power market. |
| 281 | GS1 Belgium & Luxembourg Organisation responsible for GS1 System in Belgium & Luxembourg. |
| 286 | SE, TCO (Tjänstemännens Central Organisation) The Swedish Confederation of Professional Employees. |
| 294 | GS1 Austria Organisation responsible for the GS1 System in Austria. |

Used Codes

| | |
|-----|---|
| 295 | AU, Therapeutic Goods Administration Austrialian administration responsible for the regulation of therapeutic goods in Australia. EDIFACT |
| 297 | IT, Ufficio IVA Ufficio responsabile gestione partite IVA, Italy (Italian Institute issuing VAT registration numbers). EDIFACT |
| 298 | GS1 Spain Organisation responsible for the GS1 System in Spain. |
| 316 | GS1 Finland Organisation responsible for the GS1 system in Finland. |
| 317 | GS1 Brazil Organisation responsible for the GS1 system in Brazil. |
| 324 | GS1 Ireland Organisation responsible for the GS1 system in Ireland. |
| 325 | GS1 Russia Organisation responsible for the GS1 system in Russia. |
| 326 | GS1 Poland Organisation responsible for the GS1 system in Poland. |
| 327 | GS1 Estonia Organisation responsible for the GS1 system in Estonia. |
| 376 | PANTONE Color code controlling organisation |
| 400 | FAO (Food and Agriculture Organisation) Food and Agriculture Organisation of the United Nations. |
| 403 | Comite Europeen de Normalisation Comite Européen de Normalisation (CEN), European committee for standardisation. GS1 Note: Replaces GS1 Temporary Code CEN. |
| 404 | Assigned by logistics service provider Codes assigned by a logistics service provider. GS1 Note: Replaces GS1 Temporary Code X6. |
| CEN | Comite European de Normalisation (GS1 Temporary Code) Comite European de Normalisation. GS1 Note: Code marked for deletion. Use value 403 instead. |
| PMS | Pantone Matching System (GS1 Temporary Code) Pantone Matching System. |

Used Codes

| | |
|-------------|--|
| RAL | DE, Deutsches Institut fuer Guetesicherung und Kennzeichnung (GS1 Temporary Code) German Institute for Quality Assurance and Certification. |
| X5 | IT, Ufficio IVA (GS1 Temporary Code) Ufficio responsabile gestione partite IVA, Italy (Italian Institute issuing VAT registration numbers). |
| X6 | Assigned by logistics service provider (GS1 Temporary Code) Codes assigned by the logistics service provider. GS1 Note: Code marked for deletion. Use value 404 instead. |
| ZZZ | Mutually defined A code assigned within a code list to be used on an interim basis and as defined among trading partners until a precise code can be assigned to the code list. |
| 3155 | Communication address code qualifier Code qualifying the communication address. |
| AL | Cellular phone Identifies the cellular phone number. |
| AO | Uniform Resource Location (URL) Identification of the Uniform Resource Location (URL) Synonym: World wide web address. EDIFACT |
| AQ | X.400 address for mail text The X.400 address accepting information in the body text of a message. |
| AR | AS1 address Address capable of receiving messages in accordance with the EDIINT/AS1 protocol for MIME based EDI . |
| AS | AS2 address Address capable of receiving messages in accordance with the EDIINT/AS2 protocol. |
| AT | AS3 address Address capable of receiving messages in accordance with the EDIINT/AS3 protocol. |
| AU | File Transfer Protocol Address capable for receiving message in accordance with the File Transfer Protocol (IETF RFC 959 et. al.). |
| CA | Cable address The communication number identifies a cable address. |
| EI | EDI Number identifying the service and service user. |

Used Codes

| | |
|-------------|--|
| EM | Electronic mail Exchange of mail by electronic means. GS1 Description: Creating/sending/receiving of unstructured free text messages or documents using computer network, a mini-computer or an attached modem and regular telephone line or other electronic transmission media. |
| EXI | Exite mail (GS1 Temporary Code) Requests that the file shall be returned via Exite. GS1 Note: Code marked for deletion. |
| FX | Fax Device used for transmitting and reproducing fixed graphic material (as printing) by means of signals over telephone lines or other electronic transmission media. |
| IA | Interchange address (GS1 Temporary Code) Code identifying an EDI interchange address. |
| TE | Telephone Voice/data transmission by telephone. |
| TL | Telex Transmission of text/data via telex. |
| XF | X.400 The X.400 address. GS1 Description: CCITT Message handling system. |
| XG | Pager Identifies that the communication number is for a pager. |
| 3225 | Location name code Code specifying the name of the location. Notes: 1. Recommend use UN/ECE Recommendation No. 16: UN/LOCODE. If not applicable, use appropriate code set in combination with 1131/3055. |
| AT | Austria |
| CH | Swiss |
| DE | Germany |
| 3227 | Location function code qualifier Code identifying the function of a location. |
| 162 | Place or location of sale Place or location at which the sale takes place. |

Used Codes

3239 Country of origin name code
Code specifying the name of the country of origin.

Notes:
| 1. Use ISO 3166-1 two alpha country code.

DE GERMANY

3453 Language name code
Code specifying the language name.

Notes:
1. Use ISO 639-1988.

| | |
|----|-------------|
| AA | Afar |
| aa | Afar |
| AB | Abkhazian |
| ab | Abkhazian |
| AE | Avestan |
| ae | Avestan |
| AF | Afrikaans |
| af | Afrikaans |
| AK | Akan |
| ak | Akan |
| AM | Amharic |
| am | Amharic |
| AN | Aragonese |
| an | Aragonese |
| AR | Arabic |
| ar | Arabic |
| AS | Assamese |
| as | Assamese |
| AV | Avaric |
| av | Avaric |
| AY | Aymara |
| ay | Aymara |
| AZ | Azerbaijani |
| az | Azerbaijani |

Used Codes

| | |
|----|--|
| BA | Bashkir |
| ba | Bashkir |
| BE | Belarusian |
| be | Belarusian |
| BG | Bulgarian |
| bg | Bulgarian |
| BH | Bihari |
| bh | Bihari |
| BI | Bislama |
| bi | Bislama |
| BM | Bambara |
| bm | Bambara |
| BN | Bengali |
| bn | Bengali |
| BO | Tibetan |
| bo | Tibetan |
| BR | Breton |
| br | Breton |
| BS | Bosnian |
| bs | Bosnian |
| CA | Catalan; Valencian |
| ca | Catalan; Valencian |
| CE | Chechen |
| ce | Chechen |
| CH | Chamorro |
| ch | Chamorro |
| CO | Corsican |
| co | Corsican |
| CR | Cree |
| cr | Cree |
| CS | Czech |
| cs | Czech |
| CU | Church Slavic; Old Slavonic; Church Slavonic; Old Bulgarian; Old Church Slavonic |

Used Codes

| | |
|----|--|
| cu | Church Slavic; Old Slavonic; Church Slavonic; Old Bulgarian; Old Church Slavonic |
| CV | Chuvash |
| cv | Chuvash |
| CY | Welsh |
| cy | Welsh |
| DA | Danish |
| da | Danish |
| DE | German |
| de | German |
| DV | Divehi; Dhivehi; Maldivian |
| dv | Divehi; Dhivehi; Maldivian |
| DZ | Dzongkha |
| dz | Dzongkha |
| EE | Ewe |
| ee | Ewe |
| EL | Greek; Modern (1453-) |
| el | Greek; Modern (1453-) |
| EN | English |
| en | English |
| EO | Esperanto |
| eo | Esperanto |
| ES | Spanish; Castilian |
| es | Spanish; Castilian |
| ET | Estonian |
| et | Estonian |
| EU | Basque |
| eu | Basque |
| FA | Persian |
| fa | Persian |
| FF | Fulah |
| ff | Fulah |
| FI | Finnish |
| fi | Finnish |

Used Codes

| | |
|----|-------------------------|
| FJ | Fijian |
| fj | Fijian |
| FO | Faroese |
| fo | Faroese |
| FR | French |
| fr | French |
| FY | Western Frisian |
| fy | Western Frisian |
| GA | Irish |
| ga | Irish |
| GD | Gaelic; Scottish Gaelic |
| gd | Gaelic; Scottish Gaelic |
| GL | Galician |
| gl | Galician |
| GN | Guarani |
| gn | Guarani |
| GU | Gujarati |
| gu | Gujarati |
| GV | Manx |
| gv | Manx |
| HA | Hausa |
| ha | Hausa |
| HE | Hebrew |
| he | Hebrew |
| HI | Hindi |
| hi | Hindi |
| HO | Hiri Motu |
| ho | Hiri Motu |
| HR | Croatian |
| hr | Croatian |
| HT | Haitian; Haitian Creole |
| ht | Haitian; Haitian Creole |
| HU | Hungarian |

Used Codes

| | |
|----|--|
| hu | Hungarian |
| HY | Armenian |
| hy | Armenian |
| HZ | Herero |
| hz | Herero |
| IA | Interlingua (International Auxiliary Language Association) |
| ia | Interlingua (International Auxiliary Language Association) |
| ID | Indonesian |
| id | Indonesian |
| IE | Interlingue |
| ie | Interlingue |
| IG | Igbo |
| ig | Igbo |
| II | Sichuan Yi |
| ii | Sichuan Yi |
| IK | Inupiaq |
| ik | Inupiaq |
| IO | Ido |
| io | Ido |
| IS | Icelandic |
| is | Icelandic |
| IT | Italian |
| it | Italian |
| IU | Inuktitut |
| iu | Inuktitut |
| JA | Japanese |
| ja | Japanese |
| JV | Javanese |
| jv | Javanese |
| KA | Georgian |
| ka | Georgian |
| KG | Kongo |
| kg | Kongo |

Used Codes

| | |
|----|----------------------------------|
| KI | Kikuyu; Gikuyu |
| ki | Kikuyu; Gikuyu |
| KJ | Kuanyama; Kwanyama |
| kj | Kuanyama; Kwanyama |
| KK | Kazakh |
| kk | Kazakh |
| KL | Kalaallisut; Greenlandic |
| kl | Kalaallisut; Greenlandic |
| KM | Central Khmer |
| km | Central Khmer |
| KN | Kannada |
| kn | Kannada |
| KO | Korean |
| ko | Korean |
| KR | Kanuri |
| kr | Kanuri |
| KS | Kashmiri |
| ks | Kashmiri |
| KU | Kurdish |
| ku | Kurdish |
| KV | Komi |
| kv | Komi |
| KW | Cornish |
| kw | Cornish |
| KY | Kirghiz; Kyrgyz |
| ky | Kirghiz; Kyrgyz |
| LA | Latin |
| la | Latin |
| LB | Luxembourgish; Letzeburgesch |
| lb | Luxembourgish; Letzeburgesch |
| LG | Ganda |
| lg | Ganda |
| LI | Limburgan; Limburger; Limburgish |

Used Codes

| | |
|----|----------------------------------|
| li | Limburgan; Limburger; Limburgish |
| LN | Lingala |
| In | Lingala |
| LO | Lao |
| lo | Lao |
| LT | Lithuanian |
| lt | Lithuanian |
| LU | Luba-Katanga |
| lu | Luba-Katanga |
| LV | Latvian |
| lv | Latvian |
| MG | Malagasy |
| mg | Malagasy |
| MH | Marshallese |
| mh | Marshallese |
| MI | Maori |
| mi | Maori |
| MK | Macedonian |
| mk | Macedonian |
| ML | Malayalam |
| ml | Malayalam |
| MN | Mongolian |
| mn | Mongolian |
| MO | Moldavian; Moldovan |
| mo | Moldavian; Moldovan |
| MR | Marathi |
| mr | Marathi |
| MS | Malay |
| ms | Malay |
| MT | Maltese |
| mt | Maltese |
| MY | Burmese |
| my | Burmese |

Used Codes

| | |
|----|---------------------------------------|
| NA | Nauru |
| na | Nauru |
| NB | Bokmal Norwegian; Norwegian Bokmal |
| nb | Bokmal Norwegian; Norwegian Bokmal |
| ND | Ndebele; North; North Ndebele |
| nd | Ndebele; North; North Ndebele |
| NE | Nepali |
| ne | Nepali |
| NG | Ndonga |
| ng | Ndonga |
| NL | Dutch; Flemish |
| nl | Dutch; Flemish |
| NN | Norwegian Nynorsk; Nynorsk, Norwegian |
| nn | Norwegian Nynorsk; Nynorsk, Norwegian |
| NO | Norwegian |
| no | Norwegian |
| NR | Ndebele; South; South Ndebele |
| nr | Ndebele; South; South Ndebele |
| NV | Navajo; Navaho |
| nv | Navajo; Navaho |
| NY | Chichewa; Chewa; Nyanja |
| ny | Chichewa; Chewa; Nyanja |
| OC | Occitan (post 1500); Provençal |
| oc | Occitan (post 1500); Provençal |
| OJ | Ojibwa |
| oj | Ojibwa |
| OM | Oromo |
| om | Oromo |
| OR | Oriya |
| or | Oriya |
| OS | Ossetian; Ossetic |
| os | Ossetian; Ossetic |
| PA | Panjabi; Punjabi |

Used Codes

| | |
|----|--------------------|
| pa | Panjabi; Punjabi |
| PI | Pali |
| pi | Pali |
| PL | Polish |
| pl | Polish |
| PS | Pushto; Pashto |
| ps | Pushto; Pashto |
| PT | Portuguese |
| pt | Portuguese |
| QU | Quechua |
| qu | Quechua |
| RM | Romansh |
| rm | Romansh |
| RN | Rundi |
| rn | Rundi |
| RO | Romanian |
| ro | Romanian |
| RU | Russian |
| ru | Russian |
| RW | Kinyarwanda |
| rw | Kinyarwanda |
| SA | Sanskrit |
| sa | Sanskrit |
| SC | Sardinian |
| sc | Sardinian |
| SD | Sindhi |
| sd | Sindhi |
| SE | Northern Sami |
| se | Northern Sami |
| SG | Sango |
| sg | Sango |
| SI | Sinhala; Sinhalese |
| si | Sinhala; Sinhalese |

Used Codes

| | |
|----|-----------------|
| SK | Slovak |
| sk | Slovak |
| SL | Slovenian |
| sl | Slovenian |
| SM | Samoan |
| sm | Samoan |
| SN | Shona |
| sn | Shona |
| SO | Somali |
| so | Somali |
| SQ | Albanian |
| sq | Albanian |
| SR | Serbian |
| sr | Serbian |
| SS | Swati |
| ss | Swati |
| ST | Sotho, Southern |
| st | Sotho, Southern |
| SU | Sundanese |
| su | Sundanese |
| SV | Swedish |
| sv | Swedish |
| SW | Swahili |
| sw | Swahili |
| TA | Tamil |
| ta | Tamil |
| TE | Telugu |
| te | Telugu |
| TG | Tajik |
| tg | Tajik |
| TH | Thai |
| th | Thai |
| TI | Tigrinya |

Used Codes

| | |
|----|-----------------------|
| ti | Tigrinya |
| TK | Turkmen |
| tk | Turkmen |
| TL | Tagalog |
| tl | Tagalog |
| TN | Tswana |
| tn | Tswana |
| TO | Tonga (Tonga Islands) |
| to | Tonga (Tonga Islands) |
| TR | Turkish |
| tr | Turkish |
| TS | Tsonga |
| ts | Tsonga |
| TT | Tatar |
| tt | Tatar |
| TW | Twi |
| tw | Twi |
| TY | Tahitian |
| ty | Tahitian |
| UG | Uighur; Uyghur |
| ug | Uighur; Uyghur |
| UK | Ukrainian |
| uk | Ukrainian |
| UR | Urdu |
| ur | Urdu |
| UZ | Uzbek |
| uz | Uzbek |
| VE | Venda |
| ve | Venda |
| VI | Vietnamese |
| vi | Vietnamese |
| VO | Volapük |
| vo | Volapük |

Used Codes

| | |
|----|----------------|
| WA | Walloon |
| wa | Walloon |
| WO | Wolof |
| wo | Wolof |
| XH | Xhosa |
| xh | Xhosa |
| YI | Yiddish |
| yi | Yiddish |
| YO | Yoruba |
| yo | Yoruba |
| ZA | Zhuang; Chuang |
| za | Zhuang; Chuang |
| ZH | Chinese |
| zh | Chinese |
| ZU | Zulu |
| zu | Zulu |

4043

Trade class code
Code identifying the class of trade.

| | |
|-----|---|
| AE | Contractor A person or group acting as a contractor. GS1 Hinweis: Ersetzt den GS1 Temporary Code CR. |
| CR | Contractor (GS1 Temporary Code) A person or group acting as a contractor. GS1 Note: Code marked for deletion. Use value AE instead. |
| DI | Distributor A person or group acting explicitly as distributor of merchandise or goods. |
| MF | Manufacturer A company that produces goods from raw materials. |
| RDN | Return the delivery note signed by the goods recipient (GS1 Temporary Code) Indication that the delivery note has to be returned signed by the goods recipient Code marked for deletion. |
| RPD | Return the number of the "proof of delivery" generated by the goods recipient (GS1 Temporary Code) Indication that the number of the "proof of delivery" generated by the goods recipient has to be returned. Code marked for deletion. |

Used Codes

| | |
|-------------|---|
| RS | Resale Self explanatory. GS1 Description: A person or group reselling goods. |
| WH | Wholesaler A person or group buying goods in large quantities for resale by a retailer. |
| WT | Out patient A patient not under the full time care of a hospital but visits from time to time for treatment. GS1 Description: A person who is medically treated out of the hospital. |
| WU | In patient A patient under the full time care of a hospital. GS1 Description: A person who is medically treated in the hospital. |
| 4183 | Special condition code Code specifying a special condition. |
| 5 | Item not to be included in bonus calculation Item concerned is not applicable for bonus calculation. |
| 193 | Unsold trade item not returnable A trade item that is not sold cannot be returned. |
| 132 | Not subject to automated processes |
| 4295 | Change reason description code Code specifying the reason for a change. |
| AA | Member attribute change An attribute of a member of a group has changed. |
| AC | Member category change The member or benefits category has changed. |
| AJT | Adjustment (GS1 Temporary Code) Code indicating that an adjustment has taken place. |
| AQ | Alternate quantity and unit of measurement Change is due to an alternate quantity and unit of measurement. GS1 Description: Code indicating an alternate quantity and unit of measure than that was previously agreed. |
| AR | Article out of assortment for particular company Item normally part of a suppliers standard assortment but is unavailable for a specific buyer due to legal or commercial reasons. |

Used Codes

| | |
|-----|---|
| ARP | Article to be published (GS1 Temporary Code) The article has to be published. |
| AS | Article out of assortment Article normally part of a standard assortment is unavailable. |
| AT | Item not ordered Code indicating the item or product was not ordered. |
| AU | No delivery due to outstanding payments Delivery of an item was stopped due to outstanding deliveries which have not yet been paid. |
| AUE | Article code unknown (GS1 Temporary Code) Item identification code (GTIN article number) is unknown. GS1 Note: Code marked for deletion. Use value BJ instead. |
| AV | Out of inventory Item is out of inventory. |
| AY | Sale location different Sold in a different sales location. GS1 Description: The reason for a different price is a different sale location and a different type of sale location, for example, a duty paid shop or a duty free shop. |
| BA | Damaged Goods CA change resulting from damaged goods. EDIFACT |
| BB | Transport means technical failure Transport means had a technical failure, e.g. transport means could not be unloaded or did not comply with hygienic requirements. |
| BC | Equipment technical failure Equipment had a technical failure, e.g. equipment was damaged or wrong. |
| BE | Goods technical failure Goods had a technical failure, e.g. instability, overhang, transportation lock or damage. |
| BF | Spoilage of goods A change resulting from the spoilage of goods. |
| BG | Grade difference out of tolerance level The change is due to a variation in the grade of the product outside the tolerance level allowed in an agreement. |
| BH | Batch number difference The batch number printed on the product received is different to the batch number specified in the despatch advice message. |

Used Codes

| | |
|--------|---|
| BI | <p>Expiry date difference</p> <p>The expiry date printed on the product received is different from the expiry date specified in the despatch advice message.</p> <p>GS1 Note: Replaces GS1 Temporary Code X40.</p> |
| BJ | <p>Item identification code unknown</p> <p>The item identification code is unknown.</p> <p>GS1 Note: Replaces GS1 Temporary Code AUE.</p> |
| BK | <p>Barcode not readable</p> <p>Barcode is not readable by a barcode scanning device.</p> <p>GS1 Note: Replaces GS1 Temporary Code BN_OLD.</p> |
| BL | <p>Item represents substitution from original order</p> <p>Code indicating the item or product is a substitute of the item or product originally ordered.</p> <p>GS1 Note: Replaces GS1 Temporary Code IS.</p> |
| BM | <p>Minimum/maximum product durability date unacceptable</p> <p>Code indicating that the minimum durability date (e.g. best before date) and/or maximum durability date (e.g. expiry date) of a product are not acceptable.</p> <p>GS1 Note: Replaces GS1 Temporary Code PE.</p> |
| BN | <p>Temperature outside agreed range</p> <p>The temperature is or has been outside the agreed range.</p> <p>GS1 Note: Replaces GS1 Temporary Code X32.</p> |
| BN_OLD | <p>Bar code not readable (GS1 Temporary Code)</p> <p>Bar code is not readable for some reason (e.g. poor print quality) by a bar code scanning device.</p> <p>GS1 Note: Code marked for deletion. Use value BK instead.</p> |
| BO | <p>Delivered but not advised</p> <p>Shipment or goods have been delivered without any advance notification of delivery.</p> <p>GS1 Note: Replaces GS1 Temporary Code X33.</p> |
| BP | <p>Short shipped</p> <p>The quantity of goods received is smaller than advised.</p> <p>GS1 Note: Replaces GS1 Temporary Code X34.</p> |
| BR | <p>Item withdrawn</p> <p>The item has been withdrawn.</p> <p>GS1 Note: Replaces GS1 Temporary Code X35.</p> |
| BS | <p>SSCC difference</p> <p>The logistic unit is identified by another Serial Shipping Container Code (SSCC) than the one announced in the despatch advice.</p> <p>GS1 Note: Replaces GS1 Temporary Code X37.</p> |
| BT | <p>SSCC missing</p> <p>The logistic unit is missing its Serial Shipping Container code (SSCC).</p> <p>GS1 Note: Replaces GS1 Temporary Code X38.</p> |

Used Codes

| | |
|----|--|
| BU | <p>Best before date(s) difference The best before date(s) deviate(s) from those announced in the despatch advice. GS1 Note: Replaces GS1 Temporary Code X39.</p> |
| BV | <p>Weight difference More or less weight was received than announced in the despatch advice. GS1 Note: Replaces GS1 Temporary Code X41.</p> |
| BW | <p>Quantity difference More or less units were received than announced in the despatch advice.</p> |
| BX | <p>Delivered too late Delivered but at a later date than the delivery date under the agreed conditions or stipulated in the preceding message. GS1 Note: Replaces GS1 Temporary Code X43.</p> |
| IS | <p>Item represents substitution from original order (GS1 Temporary Code) Code indicating the item or product is a substitute of the item or product originally ordered. GS1 Note: Code marked for deletion. Use value BL instead.</p> |
| PC | <p>Pack difference Self-explanatory. GS1 Description: The packaging of the product has changed.</p> |
| PE | <p>Minimum/maximum product durability date unacceptable (GS1 Temporary Code) Code indicating that the minimum durability date (e.g. best before date) or maximum durability date (e.g. expiry date) of a product are not acceptable. GS1 Note: Code marked for deletion. Use value BM instead.</p> |
| PS | <p>Product/services ID change The product/services identification has changed.</p> |
| QT | <p>Quantity price break The quantity price break has changed. GS1 Description: Additional quantity shipped to meet special discount conditions.</p> |
| UM | <p>Unit of measure difference The change is due to a difference in the unit of measure. GS1 Description: The unit of measure for the product shipped is different to the unit of measure for the product ordered.</p> |
| WQ | <p>Over shipped A shipped quantity greater than the ordered or invoiced quantity.</p> |
| WR | <p>Temporarily unavailable Product is temporarily unavailable.</p> |

Used Codes

| | |
|-----|--|
| WT | Excluded from the promotion activity Product is not included in the promotion activity. |
| WU | Committed purchase quantity exceeded The committed purchase quantity has been exceeded. |
| WV | Committed purchase quantity not ordered The committed purchase quantity has not been ordered. |
| X29 | Government price charge (GS1 Temporary Code) Reason for price charge is due to government action. |
| X32 | Receipt temperature outside agreed range (GS1 Temporary Code) The temperature at which the goods are received is outside the agreed range. GS1 Note: Code marked for deletion. Use value BN instead. |
| X33 | Delivered but not advised (GS1 Temporary Code) Shipment or goods have been delivered without any advance notification of delivery. GS1 Note: Code marked for deletion. Use value BO instead. |
| X34 | Missing (GS1 Temporary Code) The quantity of goods received is smaller than advised. GS1 Note: Code marked for deletion. Use value BP instead. |
| X35 | Article withdrawn (GS1 Temporary Code) The article has been withdrawn GS1 Note: Code marked for deletion. Use value BR instead. |
| X36 | Best before date out of chronological order (GS1 Temporary Code) Goods have a best before date which is out of chronological order. |
| X37 | Wrong SSCC (GS1 Temporary Code) The logistic unit is identified by another SSCC than the one announced in the despatch advice. GS1 Note: Code marked for deletion. Use value BS instead. |
| X38 | SSCC missing (GS1 Temporary Code) The logistic unit is missing its SSCC. GS1 Note: Code marked for deletion. Use value BT instead. |
| X39 | Wrong best before date(s) (GS1 Temporary Code) The best before date(s) deviates from the one announced in the despatch advice. GS1 Note: Code marked for deletion. Use value BU instead. |
| X40 | Wrong expiry date(s) (GS1 Temporary Code) The expiry date(s) deviates from the one announced in the despatch advice. GS1 Note: Code marked for deletion. Use value BI instead. |
| X41 | Different weight (GS1 Temporary Code) More or less weight was received than expected with regard of what was announced in the despatch advice. GS1 Note: Code marked for deletion. Use value BV instead. |

Used Codes

| | |
|-------------|---|
| X42 | Over-shipped (GS1 Temporary Code) An excess quantity of goods was received in a shipment with regard of what was expected in the despatch advice. GS1 Note: Code marked for deletion. Use value WQ instead. |
| X43 | Delivered too late (GS1 Temporary Code) Delivered but at a later date than the delivery date under the agreed conditions or stipulated in the preceding message GS1 Note: Code marked for deletion. Use value BX instead. |
| X44 | GS1 bar code label missing (GS1 Temporary Code) The GS1 bar code label is missing |
| 01 | Kanzleipreis |
| 02 | Studentenpreis |
| 03 | Abonnentenpreis |
| 04 | Mitgliedspreis |
| 05 | Vereinspreis |
| 06 | Subscriptionspreis |
| 4343 | Response type code Code specifying the type of acknowledgment required or transmitted. |
| AA | Debit advice Receiver of the payment message needs to return a debit advice in response to the payment message. |
| AB | Message acknowledgement Indicates that an acknowledgement relating to receipt of message is required. |
| AC | Acknowledge - with detail and change Acknowledge complete including changes. |
| AI | Acknowledge only changes Acknowledgement of changes only is required. |
| AJ | Pending Indication that the referenced offer or transaction (e.g. cargo booking or quotation request) is being dealt with. EDIFACT |
| AP | Accepted Indication that the referenced offer or transaction (e.g., cargo booking or quotation request) has been accepted. |
| AS | Credit advice and message acknowledgement The receiver of the message is to acknowledge receipt of the message and sent a credit advice for each credit. |

Used Codes

| | |
|-----|--|
| CA | Conditionally accepted Indication that the referenced offer or transaction (e.g., cargo booking or quotation request) has been accepted under conditions indicated in this message. |
| NA | No acknowledgement needed Specifies that no acknowledgement is needed in response to this message. |
| RE | Rejected Indication that the referenced offer or transaction (e.g., cargo booking or quotation request) is not accepted. |
| YW7 | Credit advice (SWIFT Code) Receiver of the payment message needs to return a credit advice in response to the payment message. |

4347

Product identifier code qualifier
Code qualifying the product identifier.

| | |
|---|--|
| 1 | Additional identification Information which specifies and qualifies product identifications. |
| 3 | Substituted by The given item number is the number of the product that substitutes another one. |
| 4 | Substituted for The given item number is the number of the original product substituted by another. |
| 5 | Product identification The item number is for product identification. |

4441

Free text value code
Code specifying free form text.

| | |
|-----|--|
| 78E | Proof Of Delivery (GS1 Permanent Code) The mentioned URL refers to a Proof of Delivery document. This Code value can be used if DE 4451 of the FTX segment is ZXL. |
| 0 | |
| 1 | |
| 2 | |
| 3 | |
| 4 | |
| 5 | |
| 6 | |
| 7 | |

Used Codes

8

9

10

11

12

13

14

15 Currently out of stock

16

17

18

19

20

21

22

23

24

25

26

27

28

29

30

31

32

33

34

36

37

38

39

40

41

Used Codes

42

43

44

45

46

47

48

49

50

51

52

53

54

55

56

57

58

59

60

61

62

63

64

65

66

67

68

69

70

71

72

73

74

Used Codes

75

76

77

78

79

80

81

82

83

84

85

86

87

88

89

90

91

92

93

94

95

96

97

98

99

ACN Consignment order, no

ACY Consignment order, yes

AF Box Number

AFL Tax-free export delivery
The invoice refers to a tax-free export delivery.

AWV Declaration for external sector statistics

BA The issuer of the document is the goods/services providing company.

BE The receiver of the document is the goods/services providing company.

Used Codes

| | |
|------------|--|
| BF | Butter fat Restriction of use: The butter/the intermediate product is subject to article, of VO(EG) Nr. 2571/97 |
| BI | Barcode information |
| BKM | Adjustment of inventory quantity |
| CO2 | CO2KostAufG Mandatory information according to § 3 para. 1 CO2KostAufG. If the tenant supplies himself with combustible, he has a claim for reimbursement against the landlord in accordance with § 6 para. 2 and § 8 para.2 CO2KostAufG. |
| DESADV | DESADV (fix value) |
| DUN | Do not record dues (supply only if immediately available) |
| DUY | Record dues (backorder if not immediately available) |
| EA | Lable type |
| EEV | The ownership is ours until full payment for goods. |
| FSN | Order not forwarded to publisher |
| FSY | Order forwarded to publisher |
| HA | Handling information |
| IGD | Intra-community triangular business |
| IGL | Tax free EU delivery Delivery within the EU comunity |
| INTRASTAT | Message to the Federal Statistical Office used to balance the actual merchandise traffic. |
| KA | Combined article (GS1_DE Code) Note on use of the simplification rule in case of combined articles. |
| KOR | Correction document |
| LES | The invoice contains items that are subject to the reverse charge procedure. In these cases, the beneficiary owes the VAT. |
| NACH-ORDER | Seasonal Repeat Order for continuous ordering and deliver |
| NE | Customer name |
| NOI | This document is no invoice or credit note by means of VAT law. The indicated VAT does not allow the deduction of input tax. |
| NOS-ORDER | The document relates to NOS (Never out of stock) articles, that are continuously reordered and replenished. (CRP) |
| OWN | Do not forward order to publisher |
| OWY | Forward order to publisher |
| PKN | Backorder until agreed order volume is reached, no |
| PKY | Backorder until agreed order volume is reached, yes |

Used Codes

| | |
|-------------|--|
| PT | Price text |
| PWN | Batch bonus, no |
| PWY | Batch bonus, yes |
| RN | Number of storage rack |
| RWN | Remittance, no |
| RWY | Remittance, yes |
| SE00 | The price indicated is exempted from tax. |
| SE07 | The reduced tax rate of 7% is valid for the price indicated. |
| SE19 | The tax rate of 19% is valid for the price indicated. |
| ST1 | Fee reduction applies, due to discount and bonus agreements. |
| ST2 | Fee reduction applies, due to our current business terms. |
| ST3 | Discount or bonus agreements apply. |
| TUN | Do not supply replacement article |
| TUY | Automatic supply of replacement article |
| UHR | Copyright fee |
| VEV | The ownership is ours until full payment of outstanding money. This is also true for resale or further processing. |
| VOR-ORDER | Seasonal Start Order for installation order conditions |
| WBM | Goods movement quantity |
| WEV | The ownership is ours until full payment of outstanding money. |
| ZRN | Central settlement, no |
| ZRY | Central settlement, yes |
| 4451 | Text subject code qualifier Code qualifying the subject of the text. |
| DEL | Delivery information Information about delivery. |
| 4453 | Free text function code Code specifying the function of free text. |
| 1 | Text for subsequent use The occurrence of this text does not affect message processing. |
| 4471 | Settlement means code Code specifying the means of settlement. |

Used Codes

| | |
|-------------|--|
| 1 | Bill back Refers to a charge or allowance for the buyer and the buyer will bill back the seller. |
| 2 | Off invoice The allowance or charge is being deducted from the invoice. GS1 Description: The allowance or charge is being deducted from the face of the document. |
| 3 | Vendor check/cheque to customer An allowance will be given to a customer from the supplier in the form of a check. |
| 4 | Credit customer account An allowance will be processed for the customer by giving a credit to their account. |
| 5 | Charge to be paid by vendor A charge whose payment will be made by the vendor. |
| 6 | Charge to be paid by customer A charge whose payment will be made by the customer. |
| 13 | All charges borne by payee All charges are to be borne by the funds receiver. GS1 Description: All charges are to be borne by the beneficiary. |
| 14 | Each pay own cost Each party are to be responsible for its own charges. |
| 15 | All charges borne by payor All charges are to be borne by the funds sender. GS1 Description: All the charges are to be borne by the ordering customer. |
| 38 | Item accruals Expenses related to an item for which invoices have not been received yet at the end of the current accounting period. |
| 39 | Vendor accruals Expenses related to a vendor for which invoices have not been received yet at the end of the current accounting period. |
| 5025 | Monetary amount type code qualifier Code qualifying the type of monetary amount. |
| 204 | Allowance amount The amount of an allowance. |

Used Codes

| | |
|-------------|--|
| 5125 | Price code qualifier Code qualifying a price. Notes: 1. The code set from data element 5387 may also be used as agreed among trading partners. |
| AAA | Calculation net The price stated is the net price including allowances/ charges. Allowances/ charges may be stated for information only. GS1 Description: The price stated is the net price including allowances/ charges and excluding taxes. Allowances/charges may be stated for information only. |
| AAB | Calculation gross The price stated is the gross price to which allowances/charges, if valid, must be applied. GS1 Description: The price stated is the gross price excluding all allowances, charges and taxes. Allowances and charges must be stated and used for net calculation purposes. |
| AAE | Information price, excluding allowances or charges, including taxes The price stated is for information purposes only and excludes all allowances and charges. Taxes however are included in the price. |
| 5153 | Duty or tax or fee type name code Code specifying a type of duty, tax or fee. |
| VAT | Value added tax A tax on domestic or imported goods applied to the value added at each stage in the production/distribution cycle. |
| 5189 | Allowance or charge identification code Code specifying the identification of an allowance or charge. |
| 1 | Handling commission Fee for the processing of documentary credit, collection and payment which are charged to the customer. |
| 13 | Domiciliation commission Fee for the domiciliation of bills with the bank. |
| 29 | Brokerage Brokers commission arising, in trade with foreign currencies. |
| 30 | Bank charges Charges deducted/claimed by other banks involved in the transaction. |
| 32 | Courier fee Fee for use of courier service. |

Used Codes

| | |
|-----|--|
| 35 | S.W.I.F.T. fee Fee for use of S.W.I.F.T. |
| 64 | Special agreement An allowance or charge as specified in a special agreement. |
| 65 | Production error discount A discount given for the purchase of a product with a production error. |
| 66 | New outlet discount A discount given at the occasion of the opening of a new outlet. |
| 67 | Sample discount A discount given for the purchase of a sample of a product. |
| 68 | End-of-range discount A discount given for the purchase of an end-of-range product. |
| 69 | Charge for a customer specific finish A charge for the addition of a customer specific finish to a product. |
| 70 | Incoterm discount A discount given for a specified Incoterm. |
| 101 | Carbon footprint charge A monetary amount charged for carbon footprint related to a regulatory requirement. |
| 102 | Fixed long term A fixed long term allowance or charge. GS1 Note: Replaces GS1 Temporary Code 60E. |
| 103 | Temporary A temporary allowance or charge. GS1 Note: Replaces GS1 Temporary Code 61E. |
| 104 | Standard The standard available allowance or charge. GS1 Note: Replaces GS1 Temporary Code 62E. |
| 105 | Yearly turnover An allowance or charge based on yearly turnover. GS1 Note: Replaces GS1 Temporary Code 64E. |
| 60E | Fixed long term (GS1 Temporary Code) A fixed long term allowance or charge. GS1 Note: Code marked for deletion. Use value 102 instead. |
| 61E | Temporary (GS1 Temporary Code) A temporary allowance or charge. GS1 Note: Code marked for deletion. Use value 103 instead. |

Used Codes

62E Standard (GS1 Temporary Code)
The standard available allowance or charge.
GS1 Note: Code marked for deletion. Use value 104 instead.

64E Yearly turnover allowance/charge (GS1 Temporary Code)
An allowance or charge based on yearly turnover.
GS1 Note: Code marked for deletion. Use value 105 instead.

5245 Percentage type code qualifier
Code qualifying the type of percentage.

12 Discount
Discount expressed as a percentage.

5273 Duty or tax or fee rate basis code
Code specifying the basis for a duty or tax or fee rate.

1 Value
(5316) To specify that the applicable rate of duty, tax or fee is based on the Customs value (CCC).

2 Weight
(6150) To specify that the applicable rate of duty, tax or fee is based on the weight of the item (CCC).

3 Quantity
(6060) To specify that the applicable rate of duty, tax or fee is based on the quantity of the item (CCC).

5283 Duty or tax or fee function code qualifier
Code qualifying the function of a duty or tax or fee.

7 Tax
Contribution levied by an authority.

5305 Duty or tax or fee category code
Code specifying a duty or tax or fee category.

A Mixed tax rate
Code specifying that the rate is based on mixed tax.
GS1 Description:
Transaction includes item taxed at different rates.

AA Lower Rate
Tax rate is lower than standard rate.

Used Codes

| | |
|----|--|
| AC | <p>Value Added Tax (VAT) not now due for payment</p> <p>A code to indicate that the Value Added Tax (VAT) amount which is due on the current invoice is to be paid on receipt of a separate VAT payment request.</p> <p>GS1 Description: The value added tax is not due for payment now.</p> |
| AE | <p>VAT Reverse Charge</p> <p>Code specifying that the standard VAT rate is levied from the invoicee.</p> <p>GS1 Description: Code specifying that the rate is based upon the reverse charge VAT treatment which is always standard rate tax.</p> |
| C | <p>Duty paid by supplier</p> <p>Duty associated with shipment of goods is paid by the supplier; customer receives goods with duty paid.</p> |
| D | <p>Value Added Tax (VAT) margin scheme - travel agents</p> <p>Indication that the VAT margin scheme for travel agents is applied.</p> |
| E | <p>Exempt from tax</p> <p>Code specifying that taxes are not applicable.</p> <p>GS1 Description: All items in the transaction or a specific line item are exempt from tax.</p> |
| F | <p>Value Added Tax (VAT) margin scheme - second-hand goods</p> <p>Margin scheme for second-hand goods.</p> |
| G | <p>Free export item, tax not charged</p> <p>Indication that the VAT margin scheme for second-hand goods is applied.</p> |
| H | <p>Higher rate</p> <p>Code specifying a higher rate of duty or tax or fee.</p> <p>GS1 Description: All items in the transaction or a specific line item are taxed at the higher rate of tax.</p> |
| I | <p>Value Added Tax (VAT) margin scheme - works of art</p> <p>Indication that the VAT margin scheme for works of art is applied.</p> |
| J | <p>Value Added Tax (VAT) margin scheme - collector's items and antiques</p> <p>Indication that the VAT margin scheme for collector's items and antiques is applied.</p> |
| O | <p>Services outside scope of tax</p> <p>Code specifying that taxes are not applicable to the services.</p> |
| S | <p>Standard rate</p> <p>Code specifying the standard rate.</p> <p>GS1 Description: All items in the transaction or a specific line item are taxed at the standard rate of tax.</p> |

Used Codes

| | |
|-------------|--|
| Z | Zero rated goods Code specifying that the goods are at a zero rate. GS1 Description: All items in the transaction or a specific line item are zero tax rated. |
| 5375 | Price type code Code specifying the type of price. |
| AE | Range dependent price A code identifying the price for a specific range of purchase quantities. |
| CA | Catalogue Code specifying the catalogue price. GS1 Description: The price detailed is the price detailed in the currently referenced catalogue. |
| CT | Contract Code specifying the contract price. GS1 Description: The price detailed is the price detailed in the currently referenced contract. |
| DI | Distributor Code specifying the distributor price. |
| 5379 | Product group type code Code specifying the type of product group. |
| 3 | Catalogue Code specifying that the product is indexed in a catalogue. |
| 11 | Product group A code indicating a product group. |
| 5387 | Price specification code Code identifying pricing specification. |
| DPR | Discount price A reduction from the usual list value. |
| RTP | Retail price Price per unit of quantity of a product to be used for retail. |
| SRP | Suggested retail price Price per unit of quantity of a product suggested for retail. |
| 5389 | Product group name code Code specifying the name of a product group. |

Used Codes

| | |
|-------------|--|
| BAG | Base article group (GS1 Permanent Code) A group of articles containing information related to one or more base articles in a Customer Specific Articles configuration. |
| KS | Kosher (GS1 Permanent Code) Products listed are kosher according to Jewish religious practice. |
| 5463 | Allowance or charge code qualifier Code qualifying an allowance or charge. |
| A | Allowance Code specifying an allowance. GS1 Description: Deduction in the form of a rate, amount, percentage, or quantity to the price or amount charged for a product. |
| 6063 | Quantity type code qualifier Code qualifying the type of quantity. |
| 1 | Discrete quantity Individually separated and distinct quantity. |
| 3 | Cumulative quantity Quantity accumulated. |
| 11 | Split quantity Part of the whole quantity. |
| 12 | Despatch quantity Quantity despatched by the seller. |
| 17 | Quantity on hand The total quantity of a product on hand at a location. This includes as well units awaiting return to manufacturer, units unavailable due to inspection procedures and undamaged stock available for despatch, resale or use. GS1 Description: Quantity on hand including damaged and committed stock. |
| 18 | Previous quantity Quantity previously referenced. |
| 21 | Ordered quantity The quantity which has been ordered. |
| 23 | Active ingredient Quantity at 100% active agent content. |
| 26 | Promotion quantity A quantity associated with a promotional event. |
| 27 | On hold for shipment Article received which cannot be shipped in its present form. |

Used Codes

| | |
|----|--|
| 28 | Military sales quantity Quantity of goods or services sold to a military organization. |
| 29 | On premises sales Sale of product in restaurants or bars. |
| 30 | Off premises sales Sale of product directly to a store. |
| 40 | Normal delivery Quantity normally delivered by the seller. |
| 42 | Maximum supply quantity, supplier endorsed Maximum supply quantity endorsed by a supplier. |
| 46 | Delivered quantity Number of pieces actually received at the final destination. GS1 Description: Quantity actually delivered to the final destination. |
| 47 | Invoiced quantity The quantity as per invoice. |
| 48 | Received quantity The quantity which has been received. |
| 52 | Quantity per pack Quantity for each pack. GS1 Description: The quantity contained in the currently identified pack. |
| 53 | Minimum order quantity Minimum quantity of goods for an order. GS1 Description: The smallest number of units of a product which may be ordered. |
| 54 | Maximum order quantity Maximum quantity of goods for an order. GS1 Description: The largest number of units of a product which may be ordered. |
| 57 | In transit quantity A quantity that is en route. |
| 58 | Quantity withdrawn Quantity withdrawn from a location. |
| 59 | Number of consumer units in the traded unit Number of units for consumer sales in a unit for trading. GS1 Description: The number of consumer units (package size of a product agreed between trading partners as the unit crossing the retail point of sale) in a traded unit to be ordered, delivered and invoiced. |

Used Codes

| | |
|----|---|
| 60 | Current inventory quantity available for shipment Current inventory quantity available for shipment. |
| 61 | Return quantity Quantity of goods returned. |
| 65 | Destroyed quantity Quantity of goods destroyed. GS1 Description: Quantity of a product which will be/has been destroyed because of damage or freshness loss. |
| 66 | Committed quantity Quantity a party is committed to. |
| 73 | Outstanding quantity Difference between quantity ordered and quantity received. |
| 74 | Latest cumulative quantity Cumulative quantity after complete delivery of all scheduled quantities of the product. |
| 79 | Previous cumulative quantity Cumulative quantity prior the actual order. |
| 81 | Extra unplanned delivery Non scheduled additional quantity. |
| 83 | Backorder quantity The quantity of goods that is on back-order. GS1 Description: Quantity of a product for backorder purposes. |
| 89 | Quality control held Quantity of goods held pending completion of a quality control assessment. |
| 92 | Final delivery quantity Quantity of final delivery to a respective order. |
| 96 | Quality control failed Quantity of goods which have failed quality control. |
| 97 | Minimum inventory Minimum stock quantity on which replenishment is based. |
| 98 | Maximum inventory Maximum stock quantity on which replenishment is based. |
| 99 | Estimated quantity Quantity estimated. GS1 Description: An estimation of stock quantity. |

Used Codes

| | |
|-----|---|
| 100 | Chargeable weight The weight on which charges are based. |
| 101 | Chargeable gross weight The gross weight on which charges are based. |
| 109 | Chargeable volume The volume on which charges are based. |
| 110 | Chargeable cubic measurements The cubic measurements on which charges are based. |
| 113 | Quantity to be delivered The quantity to be delivered. |
| 119 | Short shipped Indication that part of the consignment was not shipped. |
| 121 | Over shipped Indication that more goods have been shipped than contracted for delivery. GS1 Description: The overshipped quantity is the difference between the quantity shipped and the quantity contracted for delivery. |
| 124 | Damaged goods Quantity of goods which have deteriorated in transport such that they cannot be used for the purpose for which they were originally intended. |
| 128 | Quantity loaded Quantity of goods loaded onto a means of transport. |
| 129 | Units per unit price Number of units per unit price. |
| 130 | Allowance Quantity relevant for allowance. |
| 131 | Delivery quantity Quantity required by buyer to be delivered. |
| 135 | Period quantity, planned Quantity planned for this period. |
| 145 | Actual stock The stock on hand, undamaged, and available for despatch, sale or use. |
| 146 | Model or target stock The stock quantity required or planned to have on hand, undamaged and available for use. |
| 152 | Consignment stock Quantity of goods with an external customer which is still the property of the supplier. |

Used Codes

| | |
|-----|--|
| 153 | Statistical sales quantity Quantity of goods sold in a specified period. |
| 156 | Inventory movement quantity To specify the quantity of an inventory movement. |
| 157 | Opening stock balance quantity To specify the quantity of an opening stock balance. |
| 158 | Closing stock balance quantity To specify the quantity of a closing stock balance. |
| 164 | Delivery batch Quantity of the referenced item which constitutes a standard batch for deliver purposes. |
| 170 | Allocated quantity Quantity of the referenced item allocated from available stock for delivery. |
| 191 | Adjustment to inventory quantity An adjustment to inventory quantity. |
| 192 | Free goods quantity Quantity of goods which are free of charge. |
| 193 | Free quantity included Quantity included to which no charge is applicable. GS1 Description: Free quantity included. |
| 194 | Received and accepted Quantity which has been received and accepted at a given location. |
| 195 | Received, not accepted, to be returned Quantity which has been received but not accepted at a given location and which will consequently be returned to the relevant party. |
| 196 | Received, not accepted, to be destroyed Quantity which has been received but not accepted at a given location and which will consequently be destroyed. |
| 197 | Reordering level Quantity at which an order may be triggered to replenish. |
| 198 | Quantity in transit Quantity which is currently in transit. Notes: This code value will be removed effective with directory D.04A. |
| 199 | Inventory withdrawal quantity Quantity which has been withdrawn from inventory since the last inventory report. |

Used Codes

| | |
|-----|--|
| 200 | Free quantity not included Free quantity not included in ordered quantity. |
| 205 | Publication Turn Size The quantity of magazines or newspapers grouped together with the spine facing alternate directions in a bundle. EDIFACT |
| 209 | Additional replenishment demand quantity Incremental needs over and above normal replenishment calculations, but not intended to permanently change the model parameters. |
| 210 | Returned by consumer quantity Quantity returned by a consumer. GS1 Description: Quantity of product returned by the consumer to the place/party of sale. |
| 211 | Replenishment override quantity Quantity to override the normal replenishment model calculations, but not intended to permanently change the model parameters. |
| 212 | Quantity sold, net Net quantity sold which includes returns of saleable inventory and other adjustments. |
| 217 | Out of inventory quantity Quantity of inventory which was requested but was not available. |
| 243 | Reserved quantity customer direct delivery sales Quantity of products reserved for sales delivered direct to the customer. |
| 244 | Reserved quantity retail sales Quantity of products reserved for retail sales. |
| 246 | Returns replacement quantity A quantity of goods issued as a replacement for a returned quantity. |
| 247 | Additional promotion sales forecast quantity A forecast of additional quantity which will be sold during a period of promotional activity. |
| 248 | Reserved quantity Quantity reserved for specific purposes. |
| 249 | Quantity displayed not available for sale Quantity displayed within a retail outlet but not available for sale. |
| 250 | Inventory discrepancy The difference recorded between theoretical and physical inventory. |
| 251 | Incremental order quantity The incremental quantity by which ordering is carried out. |

Used Codes

| | |
|-----|---|
| 252 | Quantity requiring manipulation before despatch A quantity of goods which needs manipulation before despatch. |
| 253 | Quantity in quarantine A quantity of goods which are held in a restricted area for quarantine purposes. |
| 255 | Quantity not available for despatch A quantity of goods not available for despatch. |
| 256 | Quantity awaiting delivery Quantity of goods which are awaiting delivery. |
| 257 | Quantity in physical inventory A quantity of goods held in physical inventory. |
| 258 | Quantity held by logistic service provider Quantity of goods under the control of a logistic service provider. |
| 264 | Equipment quantity A count of a quantity of equipment. |
| 266 | Unsold quantity held by wholesaler Unsold quantity held by the wholesaler. |
| 267 | Quantity held by delivery vehicle Quantity of goods held by the delivery vehicle. |
| 268 | Quantity held by retail outlet Quantity held by the retail outlet. |
| 269 | Rejected return quantity A quantity for return which has been rejected. |
| 392 | Supplier estimated previous meter reading Previous meter reading estimated by the supplier. |
| 393 | Supplier estimated latest meter reading Latest meter reading estimated by the supplier. |
| 394 | Customer estimated previous meter reading Previous meter reading estimated by the customer. |
| 395 | Customer estimated latest meter reading Latest meter reading estimated by the customer. |
| 396 | Supplier previous meter reading Previous meter reading done by the supplier. |
| 397 | Supplier latest meter reading Latest meter reading recorded by the supplier. |
| 399 | File size before compression The size of a file before compression. |

Used Codes

| | |
|-----|--|
| 400 | File size after compression The size of a file after compression. |
| 426 | Production requirements Quantity needed to meet production requirements. |
| 440 | Number of quantitative incentive scheme units Number of units allocated to a quantitative incentive scheme. |
| 444 | Return to warehouse A quantity of products sent back to the warehouse. |
| 445 | Return to the manufacturer A quantity of products sent back from the manufacturer. |
| 447 | Quantity moved between outlets The quantity of magazines or newspapers grouped together with the spine facing alternate directions in a bundle. EDIFACT |
| 452 | En route to warehouse quantity A quantity of products that is en route to a warehouse. EDIFACT |
| 453 | En route from warehouse quantity A quantity of products that is en route from a warehouse. EDIFACT |
| 454 | Quantity ordered but not yet allocated from stock A quantity of products which has been ordered but which has not yet been allocated from stock. EDIFACT |
| 455 | Not yet ordered quantity The quantity which has not yet been ordered. EDIFACT |
| 457 | Maximum number of units per shelf Maximum number of units of a product that can be placed on a shelf. EDIFACT |
| 466 | Advised but not arrived Goods are advised by the consignor or supplier, but have not yet arrived at the destination. |
| 467 | Received but not available Goods have been received in the arrival area but are not yet available. |
| 468 | Goods blocked for transshipment process Goods are physically present, but can not be ordered because they are scheduled for a transshipment process. |

Used Codes

| | |
|-----|---|
| 469 | <p>Goods blocked for cross docking process Goods are physically present, but can not be ordered because they are scheduled for a cross docking process.</p> |
| 471 | <p>Number of packages for a set Number of packages used to pack the individual items in a grouping of merchandise that is sold together as a single trade item.</p> |
| 472 | <p>Number of items in a set The number of individual items in a grouping of merchandise that is sold together as a single trade item.</p> |
| 473 | <p>Order sizing factor A trade item specification other than gross, net weight, or volume for a trade item or a transaction, used for order sizing and pricing purposes.</p> |
| 474 | <p>Number of different next lower level trade items Value indicates the number of different next lower level trade items contained in a complex trade item.</p> |
| 475 | <p>Agreed maximum buying quantity The agreed maximum quantity of the trade item that may be purchased.</p> |
| 476 | <p>Agreed minimum buying quantity The agreed minimum quantity of the trade item that may be purchased.</p> |
| 477 | <p>Free quantity of next lower level trade item The numeric quantity of free items in a combination pack. The unit of measure used for the free quantity of the next lower level must be the same as the unit of measure of the Net Content of the Child Trade Item.</p> |
| 503 | <p>Quantity to be checked Quantity which must be checked and confirmed by the partner.</p> |
| 504 | <p>Number of wash loads Number of wash loads or washing machine runs possible per item. EDIFACT</p> |
| 505 | <p>Goods in transit not responsibility of party reporting Stock quantity which is not yet under the responsibility of the party reporting the stocks but which is in transit, i.e. not yet in physical possession. GS1 Note: Replaces GS1 Temporary Code 19E.</p> |
| 506 | <p>Goods in transit responsibility of party reporting Stock quantity under the responsibility of the party reporting the stocks but which is in transit, i.e. not yet in physical possession. GS1 Note: Replaces GS1 Temporary Code 20E.</p> |
| 507 | <p>Free quantity basis A code indicating the basis for a free quantity, e.g. 1 piece free for every 12 purchased, 12 is the basis. GS1 Note: Replaces GS1 Temporary Code 22E.</p> |

Used Codes

| | |
|-----|---|
| 508 | Forecast quantity A quantity used for forecasting purposes. GS1 Note: Replaces GS1 Temporary Code 26E. |
| 509 | Sales forecast quantity A quantity of goods used for sales forecasting purposes. GS1 Note: Replaces GS1 Temporary Code 38E. |
| 510 | Minimum invoicing quantity Minimum quantity of goods which may be invoiced according to agreed conditions. GS1 Note: Replaces GS1 Temporary Code 39E. |
| 511 | Quantity tested Number of items used for testing purposes. GS1 Note: Replaces GS1 Temporary Code 40E. |
| 512 | Must buy product quantity in multi-buy promotion Number of products which must be bought in order to qualify for a multi-buy promotion. GS1 Note: Replaces GS1 Temporary Code 44E. |
| 530 | Requested promotion quantity out of stock The quantity of promotional goods that was requested but out of stock. |
| 531 | Ordered promotion quantity awaiting despatch The quantity of promotional goods that has been ordered and not yet despatched. |
| 532 | Unprocessed confirmed sales order The quantity of goods of the confirmed sales order which has not been processed. |
| 533 | Unprocessed confirmed sales order promotional quantity The quantity of promotional goods of confirmed sales order which has not been processed. |
| 17E | Number of units in lower packaging or configuration level (GS1 Temporary Code) The number of units contained in lower packaging or configuration level. |
| 19E | Goods in transit not responsibility of party reporting (GS1 Temporary Code) Stock quantity which is not yet under the responsibility of the party reporting the stocks but which is in transit, i.e. not yet in physical possession. GS1 Note: Code marked for deletion. Use value 505 instead. |
| 20E | Goods in transit already responsibility of party reporting (GS1 Temporary Code) Stock quantity already under the responsibility of the party reporting the stocks but which is in transit, i.e. not yet in physical possession. GS1 Note: Code marked for deletion. Use value 506 instead. |

Used Codes

| | |
|-----|--|
| 22E | Free quantity basis (GS1 Temporary Code) A code indicating the basis for a free quantity, e.g. 1 piece free for every 12 purchased, 12 is the basis. GS1 Note: Code marked for deletion. Use value 507 instead. |
| 26E | Forecast quantity (GS1 Temporary Code) A quantity used for forecasting purposes other than sales forecasting, e.g. manufacturing forecast. GS1 Note: Code marked for deletion. Use value 508 instead. |
| 31E | Promotional stock (GS1 Temporary Code) A quantity of stock reserved for promotional activities. |
| 32E | Consolidated discount stock (GS1 Temporary Code) Additional stock which is greater than the stocks actually ordered which have been supplied in bulk at favourable terms. |
| 38E | Forecast sales quantity (GS1 Temporary Code) A quantity of goods used for sales forecasting purposes. GS1 Note: Code marked for deletion. Use value 509 instead. |
| 39E | Minimum invoicing quantity (GS1 Temporary Code) Minimum quantity of goods which may be invoiced according to agreed conditions. GS1 Note: Code marked for deletion. Use value 510 instead. |
| 40E | Quantity tested (GS1 Temporary Code) A quantity of an item used for testing purposes. GS1 Note: Code marked for deletion. Use value 511 instead. |
| 44E | Multi-buy promotion quantity (GS1 Temporary Code) A quantity of a product included in a multi-buy promotion which must be purchased in order to qualify for the multi-buy promotion. GS1 Note: Code marked for deletion. Use value 512 instead. |
| 45E | Number of units in higher packaging or configuration level (GS1 Temporary Code) The number of units contained in higher packaging or configuration level. |
| 48E | Quantity blocked by owner of goods (GS1 Temporary Code) A quantity of goods, held by a third party, which has been blocked following an instruction by the owner of the goods. These goods must not be used except with the express permission of the owner of the goods. |
| 61E | Available for despatch (GS1 Temporary Code) Quantity of goods which are available to despatch. (Note: This figure is arrived by calculating the sum of 145+256). |
| 62E | Rate of conversion (GS1 Temporary Code) Rate by which the measured unit must be multiplied to calculate the actual units used. |

Used Codes

| | |
|-----|--|
| 63E | <p>Maximum number of deliveries (GS1 Temporary Code) Maximum number of deliveries allowed during a defined period of time at a specified activity, e.g. a promotion.</p> |
| 71E | <p>Quantity prepared for despatch (GS1 Temporary Code) Quantity which is prepared for despatch.</p> |
| 72E | <p>Average number of units in lower packaging or configuration level (GS1 Temporary Code) The average number of units in lower packaging or configuration level.</p> |
| 75E | <p>Optional quantity (GS1 Temporary Code) Quantity which is optional.</p> |
| 80E | <p>Quantity in customs bond (GS1 Temporary Code) Quantity of goods held in customs bond.</p> |
| 81E | <p>Quantity settling (GS1 Temporary Code) A quantity of product which is settling before it can be used.</p> |
| 82E | <p>Outstanding promotion products quantity (GS1 Temporary Code) The difference between a quantity ordered and a quantity received of a promotion product. This code should only be used where a promotional agreement covering prices and/or quantities exists between the buyer and the supplier.</p> |
| 83E | <p>Promotion quantity ordered to the supplier but not yet received (GS1 Temporary Code) A quantity of promotion products which has been ordered but which is not yet been received at the delivery point. This code should only be used where a promotional agreement covering prices and/or quantities exists between the buyer and the supplier.</p> |
| 84E | <p>Movements out of promotion inventory (GS1 Temporary Code) The quantity which has moved out of promotion inventory. This code should only be used where a promotional agreement covering prices and/or quantities exists between the buyer and the supplier.</p> |
| 85E | <p>Movements into promotion inventory (GS1 Temporary Code) The quantity which has been received into the promotion inventory.</p> |
| 86E | <p>Out of inventory promotion quantity (GS1 Temporary Code) Promotion quantity of inventory which was requested but was not available.</p> |
| 87E | <p>Ordered promotions quantity but awaiting despatch (GS1 Temporary Code) A promotions quantity of goods which have been ordered but are awaiting delivery.</p> |
| 88E | <p>Reserved inventory promotion quantity (GS1 Temporary Code) Promotion quantity for the reserved inventory.</p> |
| 89E | <p>Additional promotions replenishment demand quantity (GS1 Temporary Code) Incremental promotion needs over and above normal replenishment calculations, but not intended to permanently change the model parameters.</p> |

Used Codes

| | |
|-----|--|
| 90E | Back order promotion quantity (GS1 Temporary Code) The promotion quantity which has been ordered, but not delivered. |
| 91E | Promotional ordered quantity (GS1 Temporary Code) Quantity of ordered product related to a promotion. |
| 92E | Produced quantity (GS1 Temporary Code) The quantity which has been produced. |
| 93E | Extraordinary sale (GS1 Temporary Code) Sales which will not be included in the calculation of replenishment requirements, e.g. sales to staff, to sport clubs, etc. |
| X11 | Incentive unit basis (GS1 Temporary Code) Unit basis used to calculate quantitative incentive schemes. |
| X20 | Reserved quantity, provisional (GS1 Temporary Code) A quantity of stock provisionally reserved prior to a formal decision. |
| X22 | Consignment stock, available on ordering (GS1 Temporary Code) A quantity of products in consignment stock which become available to the buyer when they have been ordered. |
| X23 | Consignment stock, available on agreement (GS1 Temporary Code) A quantity of products in consignment stock which become available to the buyer after an agreement has been reached. |
| X24 | Consignment stock, available at due date (GS1 Temporary Code) A quantity of products in consignment stock which become available to the buyer at a scheduled due date. |

6155

Non-discrete measurement name code
Code specifying the name of a non-discrete measurement.

| | |
|----|--|
| 42 | Uncontrolled temperature Uncontrolled temperature conditions. |
| 43 | Chilled Kept at a low temperature without freezing. GS1 Description: Somewhere between four degrees Celsius and twelve degrees Celsius. |
| 44 | Frozen Kept at a temperature below the freezing point. GS1 Description: Less than zero degrees Celsius. |
| 45 | Temperature controlled Required temperature value. |

6167

Range type code qualifier
Code qualifying a type of range.

Used Codes

| | |
|-------------|--|
| 1 | Allowance range Identifies the range for an allowance. |
| 3 | Monetary range Identifies the range related to money. |
| 6311 | Measurement purpose code qualifier Code qualifying the purpose of the measurement. |
| AAI | Item weight Weight at line item level. |
| PD | Physical dimensions (product ordered) Specified measurement dimensions refer to physical dimensions of a product, material or package. GS1 Description: The restriction 'product ordered' can be ignored. |
| SV | Specification value A measurable item characteristic specified by the buyer, seller or third party. |
| 6313 | Measured attribute code Code specifying the attribute measured. |
| A | Consolidated weight The measured consolidated weight. |
| AAA | Unit net weight GS1 Description: Weight (mass) of the goods without any packing. |
| AAB | Unit gross weight [6292] Weight (mass) of goods including packing but excluding the carrier's equipment. |
| AAC | Total net weight Total weight of goods excluding packaging. GS1 Description: "Total" in this code means the sum of the net weight of all items. |
| AAD | Total gross weight [6292] Weight (mass) of goods including packing but excluding the carrier's equipment. GS1 Description: "Total" in this code means the sum of the gross weight of all items. |
| AAJ | Number of units per pallet The number of units contained on a pallet. GS1 Description: An indication of the number of units on a loaded pallet. The value associated with this code is calculated by multiplying the number of units per layer by the number of layers on a pallet. |

Used Codes

| | |
|-----|---|
| AAK | Fat content An indication of the fat content of a product. |
| AAL | Net weight GS1 Description: Weight (mass) of goods excluding packaging. GS1 usage note: The field of implementation of this code is the area of transport and related activities such as the preparation of goods into consignments for shipping. |
| AAO | Humidity Self-explanatory. |
| AAP | Voltage Self-explanatory. |
| AAQ | Power consumption Value of energy consumption. |
| AAR | Heat dissipation Self-explanatory. |
| AAU | Operative temperature Temperature identified system or process works according to specifications. |
| AAW | Gross volume The observed volume unadjusted for factors such as temperature or gravity. GS1 Description: The usage of this code relates to the contents, e.g. gases or liquids that expand/contract under given circumstances. |
| AAX | Net volume The observed volume after adjustment for factors such as temperature or gravity. GS1 Description: The usage of this code relates to the contents, e.g. gases or liquids that expand/contract under given circumstances. |
| AAY | Water content Water content in product. |
| ABF | Item width when unrolled The width of an item when unrolled. |
| ABG | Item length when unrolled The length of an item when unrolled. |
| ABH | Item area when unrolled The area occupied by an item when unrolled. |
| ABI | Original wort Measure of the malt and hops content of beer, before fermentation has taken place. |

Used Codes

| | |
|-----|--|
| ABJ | Volume The amount of air space taken up by the entity identified in the 6311 qualifier. GS1 Description: The usage of this code relates to the cube of air that the package takes up. |
| ABK | Angle The angle of an object. EDIFACT |
| ABL | Peg hole horizontal distance from package leftmost edge Horizontal distance from the left most edge of the package to the center of the hole into which the peg is inserted. EDIFACT |
| ABM | Peg hole vertical distance from top Vertical distance from the top of the package to the top of the hole into which the peg is inserted. EDIFACT |
| ABO | Product strength, chemical The amount of the single active chemical ingredient within a product. EDIFACT |
| ABP | Product strength basis, chemical Amount of product used as the basis for the specification of the chemical product strength. EDIFACT |
| ABQ | Percentage of alcohol (by volume) The percentage of alcohol contained in a liquid. |
| ACG | Chargeable weight The weight on which charges are based. |
| ACN | Estimated gross weight Estimated weight (mass) of goods, including packing and excluding carrier's. GS1 Description: Estimated gross weight (mass) of goods, including packing and excluding carrier's equipment. |
| ACP | Estimated volume Estimated size or measure of anything in three dimensions. GS1 Description: The usage of this code relates to the cube of air that the package takes up. |
| ACV | Loading meters The length in a vehicle, whereby the complete width and height over that length is needed for the goods. |
| ADJ | Surface (GS1 Temporary Code) A measurement in relation a surface. |
| ADX | Transport container actual filling weight Actual filling weight of a transport container. |

Used Codes

| | |
|-----|--|
| ADY | <p>Transport container maximum capacity Maximum capacity of a transport container.</p> |
| ADZ | <p>Declared net weight The declared net weight of a product or products used for invoicing, customs or transport purposes. GS1 Description: The field of implementation of this code is the area of transport and/or customs.</p> |
| AEA | <p>Loading height Maximum height of products or packages loaded onto a given transportation device or equipment such as a pallet.</p> |
| AEB | <p>Stacking height Maximum height up to which the same product or package may be placed one upon the other for storage purposes.</p> |
| AEI | <p>Drained weight The weight of a product when all liquids used in the packaging of the product have been removed.</p> |
| AEL | <p>Area Extent or measure of a surface.</p> |
| AEV | <p>Acidity of juice Acid measurement of juice. GS1 Description: Acid number of juice of fruit measured with pH = 8.2.</p> |
| AEW | <p>Penetrometry Measurement of force required to drive a standard penetrating stamp.</p> |
| AEX | <p>Durofel Measurement of the elastic force using a standard penetrating stamp. GS1 Description: Measure of the elastic force of the pulp of a fruit. This is measured with a penetrating stamp and expressed as a percentage.</p> |
| AEY | <p>Juice weight per 100 grams Measurement of weight of juice, based on 100 grams of the entire weight. GS1 Description: Weight of juice, based on 100 grams of the entire fruit, expressed as a percentage.</p> |
| AEZ | <p>Fruit skin colour Measurement of the colouring of the epidermis of a fruit. GS1 Description: Colouring of the epidermis of a fruit measured with comparators. It indicates the maturity of the fruit or its commercial quality.</p> |

Used Codes

| | |
|-----|--|
| AFB | <p>Durofel D10</p> <p>Measure of the elastic force of the pulp of a fruit. It is measured with a penetrating stamp with diameter 10.</p> <p>GS1 Description: Measure of the elastic force of the pulp of a fruit. It is measured with a penetrating stamp with diameter 10. This measure is expressed as a percentage.</p> |
| AFC | <p>Durofel D25</p> <p>Measure of the elastic force of the pulp of a fruit. It is measured with a penetrating stamp with diameter 25.</p> <p>GS1 Description: Measure of the elastic force of the pulp of a fruit. It is measured with a penetrating stamp with diameter 25. This measure is expressed as a percentage.</p> |
| AFD | <p>Durofel D50</p> <p>Measure of the elastic force of the pulp of a fruit. It is measured with a penetrating stamp with diameter 50.</p> <p>GS1 Description: Measure of the elastic force of the pulp of a fruit. It is measured with a penetrating stamp with diameter 50. This measure is expressed as a percentage.</p> |
| AFE | <p>Maximum stacking weight</p> <p>The maximum weight which may be stacked upon a product or package without the product or packaging being crushed.</p> |
| AFF | <p>Gross measure cube</p> <p>The total cubic space occupied by an item, taking into account any protruding components, arrived at by multiplying the maximum length, width and height.</p> |
| AFG | <p>Percentage fat content in dry matter</p> <p>The percentage of fat content in dry matter.</p> |
| AFH | <p>Saccharometric content</p> <p>Measurement of the sugar content of a solution.</p> <p>EDIFACT</p> |
| AFI | <p>Hydrate content of an alcoholic product after bottling</p> <p>The hydrate content which occurs in an alcoholic product after bottling.</p> |
| AFJ | <p>Anhydrous content</p> <p>The non-water content.</p> <p>GS1 Description: Anydrous content of an alcoholic product.</p> |
| AFT | <p>Colour depth</p> <p>The number of distinct colours represented, e.g. in an image or in a display.</p> |
| AFU | <p>Colour depth, maximum</p> <p>The maximum number of distinct colours that can be represented, e.g. in an image or in a display.</p> |

Used Codes

| | |
|-----|---|
| AFV | Image resolution The level of detail of an image. |
| AFW | Device resolution, maximum The maximum level of detail produced by a device. |
| AFX | Acoustic absorption coefficient The portion of sound energy a surface absorbs, measured at different frequencies. |
| BNU | Peg hole number Used to identify the peg hole if more than one hole is present in the product or packaging. |
| BNV | Number of inner packs Indicates the number of non coded physical groupings (inner packs) of next lower level trade items within the current trade item level. |
| BNW | Number of next level trade items within inner pack The number of next lower level trade items contained within the physical non-coded grouping (inner pack). |
| BNX | Number of trade items per pallet layer The number of trade items contained on a single layer of a pallet. |
| BNY | Packed items layer Height The height of a single layer of packed items. |
| BNZ | Packing material weight, skin tight covering The weight measurement of the packing material used for skin tight covering (e.g. when packaging prepared meats, poultry, cheese, and other food products). |
| BRB | Components labelled for recycling percentage Percentage of trade item components that clearly label how to facilitate product disassembly and recycling. |
| BRC | Renewable plastic components percentage, by net weight The percentage of the plastic components only made from rapidly renewable plant-based material by net weight of product. |
| BRD | Clamp pressure, required The pressure that should be applied by a clamp. |
| BUP | Number of base units per pallet (GS1 Temporary Code) The number of base units contained in a pallet. |
| CF1 | Colony forming Unit (GS1 Temporary Code) Micro-organism colonies that are to be counted under determined conditions. |
| CT | Contents of package In combination with the other data elements of the actual segment this code indicates the measured content of a package. |

Used Codes

| | |
|-----|---|
| DBX | Degree BRIX (GS1 Temporary Code) The rate of sugar. |
| DI | Diameter Diameter of an article. |
| DLL | Diluted liquid (GS1 Temporary Code) The volume of liquid which results after a dilution agent has been added, e.g. undiluted orange juice of 200ml, after dilution with water the volume of diluted liquid equals 1 litre. |
| DN | Density The measured density. |
| DP | Depth The measured depth. |
| ENE | Energy efficiency (GS1 Temporary Code) A measurement of the energy efficiency of an article. |
| G | Gross weight [6292] Weight (mass) of goods including packing but excluding the carrier's equipment. GS1 Description: The field of implementation of this code is the area of transport and related activities such as the preparation of goods into consignments for shipping. |
| HT | Height dimension Numeric value of height. |
| HYE | Hydrate content (GS1 Temporary Code) Hydrate content of an alcoholic product. |
| ID | Inside diameter The measured inside diameter. GS1 Description: A measurement of the inside diameter of a roll, tube, pipe, or circle. |
| LAY | Number of layers (GS1 Temporary Code) Number of layers of a product or products within a package, container, pallet, etc. GS1 Description: Number of layers of a product or products within a package, container, pallet, etc. |
| LN | Length dimension (6168) Length of pieces or packages stated for transport purposes. |
| MDM | Maximum demand (GS1 Temporary Code) The highest demand recorded during the period of recording of usage of the supply. |
| NPL | Number of layers per pallet (GS1 Temporary Code) The number of layers per pallet. |

Used Codes

| | |
|-----|--|
| NPP | <p>Number of pallet places (GS1 Temporary Code)</p> <p>The number of pallet places needed to store or transport pallets (can be stacked).</p> |
| OD | <p>Outside diameter</p> <p>The measured outside diameter.</p> <p>GS1 Description: A measurement of the outside diameter of a roll, tube, pipe, or circle.</p> |
| PMC | <p>Package net measurement cube (GS1 Temporary Code)</p> <p>An indication of the net cubed measurement of a package.</p> |
| PWF | <p>Power factor (GS1 Temporary Code)</p> <p>The ration of the power dissipated (active power in kW) to the total power (which is the product of the input volts times amps given in kVa). When equipment which uses reactive power is being operated the power factor will be less than one.</p> |
| RA | <p>Relative humidity</p> <p>The measured relative humidity.</p> |
| RJ | <p>Rockwell C</p> <p>Hardness in the Rockwell C scale.</p> |
| SF | <p>Stacking factor excluding bottom item (GS1 Temporary Code)</p> <p>Maximum number of items stackable upon each other, excluding the bottom item.</p> |
| SPG | <p>Specific gravity (GS1 Temporary Code)</p> <p>The measured specific gravity.</p> |
| SSZ | <p>Step size (GS1 Temporary Code)</p> <p>An indication of measurements in which options contained within a Customer Specific Article are available, e.g. 10 metre planks of wood may be sold in step sizes of 2 metres.</p> |
| T | <p>Tare weight</p> <p>Weight excluding goods and loose accessories.</p> |
| TC | <p>Temperature</p> <p>A measurement in relation to temperature.</p> |
| TH | <p>Thickness</p> <p>The measured thickness.</p> |
| TN | <p>Time period</p> <p>Measurement of a specific length of time.</p> |
| UCO | <p>Units per package (GS1 Temporary Code)</p> <p>The number of identified units per package.</p> |
| ULY | <p>Number of units per layer (GS1 Temporary Code)</p> <p>Number of units of a product or package within one layer of a package, container, pallet, etc.</p> |

Used Codes

| | |
|-----|--|
| WD | Width dimension Numeric value of width. |
| WRM | Weight per running metre (GS1 Temporary Code) A code used to indicate the weight per running metre of floor coverings over floor area. |
| WSM | Weight per square metre (GS1 Temporary Code) A code used to indicate the weight per square metre of floor coverings over floor area. |
| X01 | Acidity of meat (1 hour after slaughtering) The meat's acid quality or condition expressed as a pH value measured 1 hour after slaughtering. |
| X02 | Acidity of meat (12 hours after slaughtering) The meat's acid quality or condition expressed as a pH value measured 12 hours after slaughtering. |
| X03 | Acidity of meat (24 hours after slaughtering) The meat's acid quality or condition expressed as a pH value measured 24 hours after slaughtering. |
| X04 | Acidity of meat (36 hour(s) after slaughtering) The meat's acid quality or condition expressed as a pH value measured 36 hours after slaughtering. |
| X05 | Acidity of meat (48 hour(s) after slaughtering) The meat's acid quality or condition expressed as a pH value measured 48 hours after slaughtering. |
| X13 | Acidity of meat (GS1 Temporary Code) The meat's acid quality or condition expressed as a pH value. |
| X16 | Slaughtering weight (GS1 Temporary Code) Warm weight after slaughter |
| X17 | Stacking factor including bottom item (GS1 Temporary Code) Maximum number of items stackable upon each other, including the bottom item. |
| X1E | Number of units in the width of a layer (GS1 Temporary Code) Number of units of a product or package which make up the width of a layer in a package, container, pallet, etc. |
| X2E | Number of units in the depth of a layer (GS1 Temporary Code) Number of units of a product or package which make up the depth of a layer in a package, container, pallet, etc. |
| X6E | Nestable percentage (GS1 Temporary Code) Extent expressed as a percentage to which an item can be nested within an identical item. |

Used Codes

X7E Gross weight including carrier's equipment (GS1 Temporary Code)
 Weight (mass) of goods including packaging and the carrier's equipment. In this context 'carrier's equipment' means any material resources necessary to facilitate the transport and handling of the goods without having the ability to move by its own propulsion, e.g. pallet, container, etc.
 GS1 usage Note
 The field of implementation of this code is the area of transport and related activities such as the preparation of goods into consignments for shipping.

ZWA Waste content
 The measured waste content.

6321 Measurement significance code
 Code specifying the significance of a measurement.

3 Approximately
 The measurement is approximately equal to that specified.

4 Equal to
 The measurement is equal to that specified.

5 Greater than or equal to
 The measurement is greater than or equal to that specified.

6 Greater than
 The measurement is greater than that specified.

7 Less than
 The measurement is less than that specified.

8 Less than or equal to
 The measurement is less than or equal to that specified.

12 True value
 The measurement reported is a true value.

6343 Currency type code qualifier
 Code qualifying the type of currency.

8 Price list currency
 The name or symbol of the monetary unit used in a price list.

6345 Currency identification code
 Code specifying a monetary unit.

Notes:
 1. Use ISO 4217 three alpha code.

AED Dirham

AFN Afghani

Used Codes

| | |
|-----|--|
| ALL | Lek |
| AMD | Dram |
| ANG | Netherlands Antillian Guilder |
| AOA | Kwanza |
| ARS | Argentine Peso |
| AUD | Australian Dollar |
| AWG | Aruban Florin |
| AZN | Azerbaijan Manat |
| BAM | Convertible Mark |
| BBD | Barbados Dollar |
| BDT | Taka |
| BGN | Bulgarian Lev |
| BHD | Bahraini Dinar |
| BIF | Burundi Franc |
| BMD | Bermudian Dollar (customarily: Bermuda Dollar) |
| BND | Brunei Dollar |
| BOB | Boliviano |
| BOV | Mvdol |
| BRL | Brazilian Real |
| BSD | Bahamian Dollar |
| BTN | Ngultrum |
| BWP | Pula |
| BYN | Belarussian Ruble |
| BZD | Belize Dollar |
| CAD | Canadian Dollar |
| CDF | Franc Congolais |
| CHE | WIR Euro |
| CHF | Swiss Franc |
| CHW | WIR Franc |
| CLF | Unidad de Fomento |
| CLP | Chilean Peso |
| CNY | Yuan Renminbi |
| COP | Colombian Peso |

Used Codes

| | |
|-----|------------------------|
| COU | Unidad de Valor Real |
| CRC | Costa Rican Colon |
| CUC | Peso Convertible |
| CUP | Cuban Peso |
| CVE | Cabo Verde Escudo |
| CZK | Czech Koruna |
| DJF | Djibouti Franc |
| DKK | Danish Krone |
| DOP | Dominican Peso |
| DZD | Algerian Dinar |
| EGP | Egyptian Pound |
| ERN | Nakfa |
| ETB | Ethopian Birr |
| EUR | Euro |
| FJD | Fiji Dollar |
| FKP | Falkland Islands Pound |
| GBP | Pound Sterling |
| GEL | Lari |
| GHS | Ghana Cedi |
| GIP | Gibraltar Pound |
| GMD | Dalasi |
| GNF | Guinean Franc |
| GTQ | Quetzal |
| GYD | Guyana Dollar |
| HKD | Honk Kong Dollar |
| HNL | Lempira |
| HRK | Kuna |
| HTG | Gourde |
| HUF | Forint |
| IDR | Rupiah |
| ILS | New Israeli Sheqel |
| INR | Indian Rupee |
| IQD | Iraqi Dinar |

Used Codes

| | |
|-----|-----------------------------------|
| IRR | Iranian Rial |
| ISK | Iceland Krona |
| JMD | Jamaican Dollar |
| JOD | Jordanian Dinar |
| JPY | Yen |
| KES | Kenyan Shilling |
| KGS | Som |
| KHR | Riel |
| KMF | Comorian Franc |
| KPW | North Korean Won |
| KRW | Won |
| KWD | Kuwaiti Dinar |
| KYD | Cayman Islands Dollar |
| KZT | Tenge |
| LAK | Lao Kip |
| LBP | Lebanese Pound |
| LKR | Sri Lanka Rupee |
| LRD | Liberian Dollar |
| LSL | Loti |
| LYD | Libyan Dinar |
| MAD | Moroccan Dirham |
| MDL | Moldovan Leu |
| MGA | Ariary |
| MKD | Denar |
| MMK | Kyat |
| MNT | Tugrik |
| MOP | Pataca |
| MRU | Ouguiya |
| MUR | Mauritius Rupee |
| MVR | Rufiyaa |
| MWK | Malawi Kwacha |
| MXN | Mexican Peso |
| MXV | Mexican Unidad de Inversion (UDI) |

Used Codes

| | |
|-----|--|
| MYR | Malaysian Ringgit |
| MZN | Mozambique Metical |
| NAD | Namibia Dollar |
| NGN | Naira |
| NIO | Cordoba Oro |
| NOK | Norwegian Krone |
| NPR | Nepalese Rupee |
| NZD | New Zealand Dollar |
| OMR | Rial Omani |
| PAB | Balboa |
| PEN | Sol |
| PGK | Kina |
| PHP | Philippine Piso |
| PKR | Pakistan Rupee |
| PLN | Zloty |
| PYG | Guarani |
| QAR | Qatari Rial |
| RON | Romanian Leu This currency code is effective from 1 July 2005 |
| RSD | Serbian Dinar |
| RUB | Russian Ruble |
| RWF | Rwanda Franc |
| SAR | Saudi Riyal |
| SBD | Solomon Islands Dollar |
| SCR | Seychelles Rupee |
| SDG | Sudanese Pound |
| SEK | Swedish Krona |
| SGD | Singapore Dollar |
| SHP | St. Helena Pound |
| SLL | Leone |
| SOS | Somali Shilling |
| SRD | Suriname Dollar |
| SSP | South Sudanese Pound |

Used Codes

| | |
|-----|--|
| STN | Dobra |
| SVC | El Salvador Colon |
| SYP | Syrian Pound |
| SZL | Lilangeni |
| THB | Baht |
| TJS | Somoni |
| TMT | Turkmenistan New Manat |
| TND | Tunisian Dinar |
| TOP | Pa'anga |
| TRY | Turkish Lira |
| TTD | Trinidad and Tobago Dollar |
| TWD | New Taiwan Dollar |
| TZS | Tanzanian Shilling |
| UAH | Hryvnia |
| UGX | Uganda Shilling |
| USD | US Dollar |
| USN | US Dollar (Next day) |
| UYI | Uruguayo Peso en Unidades |
| UYU | Peso Uruguayo |
| UYW | Unidad Previsional |
| UZS | Uzbekistan Sum |
| VES | Bolívar Soberano |
| VND | Dong |
| VUV | Vatu |
| WST | Tala |
| XAF | CFA Franc |
| XAG | Silver |
| XAU | Gold |
| XBA | Bond Markets Units European Composite Unit (EURCO) |
| XBB | European Monetary Unit (E.M.U.-6) |
| XBC | European Unit of Account 9 (E.U.A.-9) |
| XBD | European Unit of Account 17 (E.U.A.-17) |
| XCD | East Carribean Dollar |

Used Codes

| | |
|-----|---|
| XDR | SDR |
| XOF | CFA Franc |
| XPD | Palladium |
| XPF | CFP Franc |
| XPT | Platinum |
| XSU | Sucre |
| XTS | Codes specifically reserved for testing purposes |
| XUA | ADB Unit of Account |
| XXX | The codes assigned for transactions where no currency is involved |
| YER | Yemeni Rial |
| ZAR | Rand |
| ZMW | Zambian Kwacha |
| ZWL | Zimbabwe Dollar (effective 1 February 2009) |

6347

Currency usage code qualifier
Code qualifying the usage of a currency.

- 1 Charge payment currency
The currency in which charges are to be paid.
- 2 Reference currency
The currency applicable to amounts stated. It may have to be converted.
- 3 Target currency
The currency which should be used to the target destination of the transaction.

6411

Measurement unit code
Code specifying the unit of measurement.

Notes:
| 1. Recommend use UN/ECE Recommendation 20, Common code.

- 001 Barrel (205 litres, 45 gallons) (GS1 Temporary Code)
A unit of liquids equivalent to 205 litres or 45 gallons.
- 23 gram per cubic centimetre
GS1 Description:
g/cm³ as a unit of measure for the density of gas. This is necessary for dangerous substance articles for determination of the quantities that can be stored together on the shelf.
- 25 gram per square centimetre
GS1 Description:
A measure of weight in terms of gram per square centimetre.

Used Codes

| | |
|-----|--|
| 28 | kilogram per square metre GS1 Description: Unit of measure expressed in kilogram per square metre. |
| 37 | ounce per square foot |
| 59 | part per million |
| 64 | Pound per square inch, gauge A unit of measure expressed in pound per square inch |
| 2N | decibel |
| 2X | metre per minute GS1 Description: A measure of speed in terms of metres per minute. |
| 4K | milliampere |
| 4L | megabyte GS1 Description: A unit of computer memory equal to 1.048.576 (i.e. 2 power 20) bytes. |
| 4O | microfarad GS1 Description: One millionth of a farad. A farad is the capacitance of a capacitor between the plates of which a potential of 1 volt is created by a charge of 1 Coulomb. |
| 4P | newton per metre |
| A25 | cheval vapeur |
| A86 | gigahertz GS1 Description: Hertz multiplied by 10 ⁹ . |
| A99 | Bit A unit of information equal to one binary digit. |
| ACR | acre GS1 Description: Acre (4840 yd ²) |
| AD | byte GS1 Description: A unit of information stored in a computer, equal to eight bits. |
| AMH | ampere hour GS1 Description: Ampere-hour (3,6kC) |
| AMP | ampere |
| AMT | amount |
| ANN | year GS1 Description: The expression of a year as a measure unit. |

Used Codes

| | |
|-----|--|
| APZ | Troy ounce or apothecary ounce EDIFACT |
| ASM | alcoholic strength by mass GS1 Description: Alcoholic strength expressed by mass. |
| ASU | alcoholic strength by volume GS1 Description: Alcoholic strength expressed by volume. |
| AV | capsule GS1 Description: Encapsuled dosage form for pharmaceuticals. |
| B13 | Joule per square metre A unit of measure of heat energy expressed in joule per square metre. |
| B17 | Credit A unit of count defining the number of entries made to the credit side of an account. |
| BAR | bar GS1 Description: A unit of measure equal to 106 dines per square centimeter. |
| BTU | British thermal unit GS1 Description: British thermal unit (1,055 kilojoules) |
| C0 | call GS1 Description: Unit of measure for telephone calls. Code value is C0 (C Zero). |
| C60 | ohm centimetre GS1 Description: Unit of measure expressed in Ohm centimetre. |
| C79 | Kilovolt Ampere Hour A unit of accumulated energy of 1000 volt amperes over a period of one hour. EDIFACT |
| CDL | candela GS1 Description: Unit of measure of light intensity. |
| CEL | degree celsius |
| CF2 | Colony forming unit per gram (GS1 Temporary Code) Colony forming units per gram is a unit of measure for micro-organisms, such as bacteria, in a food item. Micro-organisms form colonies that are be counted under determined conditions |
| CLT | centilitre GS1 Description: A unit of volume equal to one hundredth of a liter. |
| CMK | square centimetre |

Used Codes

| | |
|-----|---|
| CMQ | cubic centimetre GS1 Description: A system of units for the measurement of volume based on the cubic centimetre. |
| CMT | centimetre |
| D19 | Square metre kelvin per watt Unit of measure of thermal insulance expressed in square metre kelvin per watt. |
| D21 | square metre per kilogram GS1 Description: Unit of measure expressed in square metre per kilogram. |
| D32 | Terawatt hour A unit of measure expressed in terawatt hour |
| D5 | Kilogram per square centimetre A unit of measure expressed in kilogram per square centimetre |
| D55 | Watt per square metre kelvin Unit of measure of thermal conductance expressed in watt per square metre kelvin. |
| D68 | Number of Words A unit of count defining the number of words. EDIFACT |
| DAY | day GS1 Description: The expression of a day as a measure unit. |
| DD | degree GS1 Description: Unit of measure of temperature. |
| DMQ | cubic decimetre GS1 Description: Unit of measure expressed in cubic decimetre. |
| DMT | decimetre |
| DRG | Dragée (GS1 Temporary Code) Number of dragées (coated tablets) contained in the item's package as a measurement unit. |
| DZN | dozen GS1 Description: A unit of measure of 12 or group of 12. |
| E09 | Milliampere hour A unit of power load delivered at the rate of one thousandth of an ampere over a period of one hour. EDIFACT |

Used Codes

| | |
|-----|--|
| E10 | Degree day A unit of measure used in meteorology and engineering to measure the demand for heating or cooling over a given period of days. EDIFACT |
| E11 | Gigacalorie A unit of heat energy equal to one thousand million calories. EDIFACT |
| E27 | Dose A unit of count defining the number of doses (dose: a definite quantity of a medicine or drug). EDIFACT |
| E31 | Square metre per litre A unit of count defining the number of square metres per litre. EDIFACT |
| E32 | Litre per hour A unit of count defining the number of litres per hour. EDIFACT |
| E34 | Gigabyte A unit of information equal to 10 E9 bytes. |
| E37 | Pixel A unit of count defining the number of pixels (pixel: picture element). |
| E38 | Megapixel A unit of count equal to 10 E6 (1000000) pixels (picture elements). |
| E39 | Dots per inch A unit of information defining the number of dots per linear inch as a measure of the resolution or sharpness of an image. GS1 Description: synonym: pixels per inch. |
| EA | each |
| EV | envelope GS1 Description: A unit of measure pertaining to the number of envelopes. |
| FAH | degree Fahrenheit |
| FOT | foot GS1 Description: Foot (0,3048 m) |
| FP | Pound per square foot A unit of measure expressed in pound per square foot |
| FTK | Square foot A unit of measure expressed in square foot |
| FTQ | cubic foot |

Used Codes

| | |
|-----|--|
| GL | gram per litre |
| GLI | gallon (UK) GS1 Description: Gallon (4,546092 dm ³) |
| GM | gram per square metre GS1 Description: Unit of measure of grams per square metre. |
| GRM | gram |
| GRO | gross GS1 Description: A unit of measure of 12 dozens. |
| GV | gigajoule |
| GWH | gigawatt hour GS1 Description: Gigawatt-hour (1 million kW/h) |
| H87 | Piece A unit of count defining the number of pieces (piece: a single item, article or exemplar). EDIFACT |
| HLT | hectolitre |
| HMT | hectometre A unit of linear measure equal to 10 E2 metres. |
| HTZ | hertz GS1 Description: One cycle per second. |
| HUR | hour |
| INH | inch GS1 Description: Inch (25,4 mm) |
| INK | Square inch A unit of measure expressed in square inch |
| JM | Megajoule per cubic metre EDIFACT |
| JOU | joule |
| K51 | Kilocalorie (mean) EDIFACT |
| KB | kilocharacter |
| KBA | kilobar |
| KEL | kelvin |
| KGM | kilogram |

Used Codes

| | |
|-----|--|
| KHZ | kilohertz |
| KJO | kilojoule |
| KL | kilogram per metre GS1 Description: A measure of weight in terms of kilogram per metre. |
| KMH | kilometre per hour GS1 Description: A unit of measure expressed in kilometre per hour. |
| KMQ | kilogram per cubic metre GS1 Description: A measure of weight in terms of kilogram per cubic metre. |
| KMT | kilometre |
| KPA | kilopascal GS1 Description: Unit of measure expressed in kilopascal. |
| KVA | kilovolt - ampere GS1 Description: A unit of electric power. |
| KVT | kilovolt |
| KWH | kilowatt hour |
| KWT | kilowatt |
| L2 | litre per minute GS1 Description: Unit of measure expressed in litre per minute. |
| LBR | Pound EDIFACT |
| LD | Litre per day A unit of measure defining the number of litres per day. |
| LNE | Printed line count (GS1 Temporary Code) The indication of the count of printed lines included on a paper communication (e.g. telegram) for invoicing purposes. |
| LTR | litre GS1 Description: Litre (1 dm ³) |
| LUX | lux GS1 Description: Unit of measure of illumination (it corresponds to the illumination of a surface which normally and uniformly receives a light flow of 1 lumen per square meter). |
| M4 | Monetary value A unit of measure expressed as a monetary amount. EDIFACT |

Used Codes

| | |
|-----|--|
| MAL | mega litre |
| MAW | megawatt |
| MC | microgram One millionth of a gram. |
| MCU | millicurie GS1 Description: Unit of measure for radioactivity. |
| MGM | milligram |
| MHZ | megahertz |
| MIN | minute |
| MLT | millilitre |
| MMK | square millimetre GS1 Description: A unit to measure a surface equal to one millionth of a quadrate. |
| MMQ | cubic millimetre GS1 Description: A unit of measure expressed in cubic milimetres. |
| MMT | millimetre |
| MON | month GS1 Description: The expression of a month as a measure unit. |
| MPA | megapascal GS1 Description: A unit of measure expressed in Megapascal. |
| MQH | Cubic metre per hour A unit of measure defining the number of cubic metres per hour. |
| MTK | square metre |
| MTQ | cubic metre |
| MTR | metre |
| MTS | Metre per second A unit of speed expressed in metres per second. |
| MWH | megawatt hour (1000 kW.h) |
| NAR | number of articles |
| NEW | newton GS1 Description: The SI unit of force, equal to the force that would give a mass of one kilogram an acceleration of one metre per second. |
| NIU | number of international units A unit of count defining the number of international units. |

Used Codes

| | |
|-----|---|
| NRL | number of rolls |
| ONZ | ounce GS1 Description: Ounce GB, US (28,349523 g) |
| OZA | fluid ounce (US) GS1 Description: Fluid ounce US (29,5735 cm ³) |
| OZI | fluid ounce (UK) GS1 Description: Fluid ounce UK (28,413 cm ³) |
| P1 | percent GS1 Description: This code is used to indicate measurements in terms of percentages, e.g. the relative humidity (code RA in data element 6313) is 52%. |
| PA | packet |
| PAL | pascal GS1 Description: The SI unit of pressure, equal to one Newton per square metre. |
| PCE | Piece (GS1 Temporary Code) GS1 Note: Old code value. Use value H87 instead. |
| PF | pallet (lift) GS1 Description: A number of articles expressed in terms of pallets. |
| PR | pair GS1 Description: Two articles which belong together but are not necessarily identical. |
| PTI | pint (UK) GS1 Description: Pint UK (0,568262 dm ³) |
| PTN | Portion (GS1 Temporary Code) The identification of the number of portions (doses in medical terms) into which a complete product may be broken into for serving purposes, e.g. a pie with 6 portions, a liquid medicine with 20 doses. |
| QAN | quarter (of a year) |
| QTI | quart (UK) GS1 Description: Quart UK (1,1136523 dm ³) |
| RJH | Decanewton (GS1 Temporary Code) A unit of force equal to 10 Newton. |
| RPM | revolutions per minute |
| RTO | Ratio (GS1 Temporary Code) The measured value is a ratio. |

Used Codes

| | |
|-------------|---|
| SEC | second |
| SMI | Mile (statute mile) A unit of measure expressed in mile |
| ST | sheet |
| TNE | tonne (metric ton) GS1 Description: Metric ton (1000kg) |
| U2 | tablet A unit of count defining the number of tablets (tablet: a small flat or compressed solid object). GS1 Description: Dosage form for pharmaceuticals, pressed or compacted from a powder into a solid dose. |
| UI | Unit of activity, predefined (GS1 Temporary Code) A measure pertaining to a predefined activity. |
| VI | vial GS1 Description: Small glass container. E.g. for a liquid medicine or perfume. |
| VLT | volt |
| WHR | watt hour |
| WTT | watt |
| YDK | Square yard A unit of measure expressed in square yard |
| YRD | yard GS1 Description: Yard (0,9144 m) |
| ZP | page GS1 Description: The indication of a page as a measurement unit for invoicing purposes, e.g. fax pages. |
| 7009 | Item description code Code specifying an item. |
| ACA | ABC Method - Classification A (GS1 Permanent Code) Activity based on costing classification method A. |
| ACB | ABC Method - Classification B (GS1 Permanent Code) Activity based on costing classification method B. |
| ACC | ABC Method - Classification C (GS1 Permanent Code) Activity based on costing classification method C. |

Used Codes

| | |
|-----|--|
| AUT | Autumn (GS1 Permanent Code) Autumn season. |
| BA | Base article (GS1 Permanent Code) A conceptual article identified for the purposes of ordering Customer Specific Articles. Base articles must always have configurations of options associated with them. |
| BLK | Bulk consumer unit (GS1 Permanent Code) The item is designed as a bulk consumer unit, i.e. to be sold mainly to hotels, restaurants, caterers, hospitals etc. |
| BU | Base unit (GS1 Permanent Code) The lowest level packaged unit for a given product, which may or may not be the consumer unit. |
| CA | Case (GS1 Permanent Code) A standard trade item shipping unit. |
| CIT | Collateral Item (GS1 Permanent Code) A trade item delivered from a manufacturer to the retail selling floor that is not considered inventory and has no retail value. |
| CMP | Composition (GS1 Permanent Code) The item is included in a dynamic assortment. |
| CSF | Display material (GS1 Permanent Code) A shopping unit that is a display. |
| CSG | Full display stand (GS1 Permanent Code) A trade item given to a consumer as part of a promotional event on another item or items. |
| CTO | Cut to order (GS1 Permanent Code) A unit load that is a "display ready pallet" and is intended to go directly to the selling floor. |
| CU | Consumer unit (GS1 Permanent Code) A group of trade items (the same or different) that are intended to be sold as a single consumer unit at the Point-of-Sale. |
| D | Available all the year round (GS1 Permanent Code) A unit load that could contain multiple packages. |
| DAS | Dynamic Assortment (GS1 Permanent Code) The item is included in a dynamic assortment. |
| DF | Default (GS1 Permanent Code) A logistical unit or a consumer unit between a case and a each. |
| DIC | Discount coupon (GS1 Permanent Code) A coupon that entitles to a discount. |

Used Codes

| | |
|-----|---|
| DSP | Display shipper (GS1 Permanent Code) A shopping unit that is a display. |
| DST | Display stand (GS1 Permanent Code) A trade item given to a consumer as part of a promotional event on another item or items. |
| DU | Despatch unit (GS1 Permanent Code) The package size of a product or products which may be shipped when fulfilling an order. |
| ETO | Engineer to Order (GS1 Permanent Code) Engineer to Order includes products that are designed, developed and manufactured in response to a specific customer request. |
| F01 | Caught (GS1 Permanent Code) Caught at sea |
| F02 | Caught in freshwater (GS1 Permanent Code) Caught in freshwater |
| F03 | Farmed (GS1 Permanent Code) Farmed |
| F04 | Cultivated (GS1 Permanent Code) Cultivated |
| FEM | Female (GS1 Permanent Code) Female gender. |
| FS | Available in spring-summer (GS1 Permanent Code) The product is available in the spring-summer period. |
| FZ1 | Previously frozen (GS1 Permanent Code) Previously frozen |
| FZ2 | Not previously frozen (GS1 Permanent Code) Not previously frozen |
| GWP | Gift with purchase (GS1 Permanent Code) A trade item given to a consumer as part of a promotional event on another item or items. |
| HN | Handling unit (GS1 Permanent Code) The package size of a product which will be used when transporting and storing the product. |
| HW | Available in autumn-winter (GS1 Permanent Code) The product is available in the autumn-winter period. |
| IF1 | IF <> THEN <> ENDIF (GS1 Permanent Code) E.G., IF <customer chooses node number 1332> THEN <action (taken from DE 1229 of LIN) to node number 1773> ENDIF. |

Used Codes

| | |
|-----|--|
| IF2 | IF NOT <> THEN <> ENDIF (GS1 CPermanent ode) E.G., IF NOT <customer does not choose node number 1332> THEN <action (taken from DE 1229 of LIN) to node number 1773> ENDIF. |
| IF3 | IF <> AND (GS1 Permanent Code) E.G., IF <customer chooses node number 1332> AND (followed by another repeat of IMD with another rule). |
| IF4 | IF NOT <> AND (GS1 Permanent Code) E.G., IF NOT <customer does not choose node number 1332> AND (followed by another repeat of IMD with another rule). |
| IF5 | IF <> OR (GS1 Permanent Code) E.G., IF <customer chooses node number 1332> OR (followed by another repeat of IMD with another rule). |
| IF6 | IF NOT <> OR (GS1 Permanent Code) E.G., IF NOT <customer does not choose node number 1332> OR (followed by another repeat of IMD with another rule). |
| IF7 | IF <> XOR (GS1 Permanent Code) E.G., IF <customer chooses node number 1332> XOR (followed by another repeat of IMD with another rule). |
| IF8 | IF NOT <> XOR (GS1 Permanent Code) E.G., IF NOT <customer does not choose node number 1332> XOR (followed by another repeat of IMD with another rule). |
| IN | Invoicing unit (GS1 Permanent Code) The package size of a product or products which will be used as the unit on which the buyer is invoiced. |
| IT | Intermediate unit (GS1 Permanent Code) A package size of a product or products falling in between two predefined package sizes. |
| MA | Mandatory (GS1 Permanent Code) An option of a Customer Specific Article which is mandatory in the configuration of the base article, e.g. it is mandatory to have legs when ordering a CSA table. |
| MAL | Male (GS1 Permanent Code) Male gender. |
| MM | Mixed module (GS1 Permanent Code) A unit load that is a "display ready pallet" and is intended to go directly to the selling floor. |
| MOD | Model (GS1 Permanent Code) The identification of an article as a high level model of a product, e.g. spring fashions. |

Used Codes

| | |
|-----|---|
| MP | <p>Multipack (GS1 Permanent Code)</p> <p>A group of trade items (the same or different) that are intended to be sold as a single consumer unit at the Point-of-Sale.</p> |
| MTO | <p>Make to Order (GS1 Permanent Code)</p> <p>A Make to Order environment is one in which products are completed after receipt of a customer order and are built or configured only in response to a customer order.</p> |
| MTS | <p>Make to Stock (GS1 Permanent Code)</p> <p>Make to Stock products are intended to be shipped from finished goods or 'off the shelf', are completed prior to receipt of a customer order, and are generally produced in accordance with sales forecasts.</p> |
| NAR | <p>Next Article (GS1 Permanent Code)</p> <p>An indication that what follows is a set of linked articles, a certain number of these linked articles should be chosen.</p> |
| NBU | <p>Not a base unit (GS1 Permanent Code)</p> <p>Not the lowest level packaged unit for a given product, which may or may not be the consumer unit.</p> |
| NCU | <p>Not a consumer unit (GS1 Permanent Code)</p> <p>The current base item or packaging item is not a consumer unit, i.e. is not a pre-packaging that is intended and labelled or marked for consumers according to legal requirements.</p> |
| ND | <p>Non divisible item (GS1 Permanent Code)</p> <p>The item is not divisible.</p> |
| NDU | <p>Not a despatch unit (GS1 Permanent Code)</p> <p>The current base item or packaging item is not a regular logistical despatch unit, i.e. it is as a rule only delivered as many within a further repackaging, and not as an individual logistics item.</p> |
| NFR | <p>Not For Resale (GS1 Permanent Code)</p> <p>Item is not for resale to consumer.</p> |
| NIN | <p>Not an invoicing unit (GS1 Permanent Code)</p> <p>The current base item or packaging item is not an invoicing unit of the data supplier, i.e. cannot be invoiced individually but only as one of many in a repackaging or transport packaging item.</p> |
| NLK | <p>Not a bulk consumer unit (GS1 Permanent Code)</p> <p>The item is not designed as a bulk consumer unit, i.e. to be sold mainly to hotels, restaurants, caterers, hospitals etc.</p> |
| NO | <p>Not an ordering unit (GS1 Permanent Code)</p> <p>A package size of a product or products which may not be ordered.</p> |
| NOS | <p>Yes, NOS item (GS1 Permanent Code)</p> <p>The current item is an NOS (Never out of stock) article, that is continuously reordered and replenished.</p> |

Used Codes

| | |
|-----|--|
| NOT | Not, not an NOS item (GS1 Permanent Code) The current item is not an NOS (Never out of stock) article, therefore is not continuously reordered and replenished. |
| NOV | Next option value (GS1 Permanent Code) An indication that what follows is a set of linked option values, next option values, or parameters. |
| NPC | Reusable container, but not standardized by a pool cooperative (GS1 Permanent Code) Reusable container that is not standardized by a pool cooperative. |
| NRC | Non-returnable container (GS1 Permanent Code) The current product is not traditionally a traded product and does not need to be returned to the sender. |
| NRE | Not a retail product (GS1 Permanent Code) The current item is not meant for retail sale, but only for sale to hotels, restaurants and catering. |
| NS | Not smallest unit (GS1 Permanent Code) Not the smallest unit for a given product. |
| NSU | Non-standard unit (GS1 Permanent Code) Products grouped together to fulfil specific ordering needs and not generally available. |
| NVQ | Not a variable quantity product (GS1 Permanent Code) The current item is a variable weight trade item, for which the weight and the quantity is determined only by the buyer. |
| OP | Option (GS1 Permanent Code) An option within a Customer Specific Article which does not exist on its own, e.g. colour, and which has discrete values. |
| OPL | Overall product level (GS1 Permanent Code) An overall level whereby many products are grouped on the basis of their composition, application and characteristics (e.g. Coca Cola with no size, packaging, price, etc, specified). |
| OPV | Option value (GS1 Permanent Code) The result of a choice of an option. The option value will be the lowest level of a branch beneath an option structure. |
| ORU | Ordering unit (GS1 Permanent Code) Indication that the current product is an ordering unit (ordering unit will not normally equal invoicing unit). |
| PA | Numeric parameter (GS1 Permanent Code) An option of a Customer Specific Article which has a continuous numeric value, e.g., measurement of the length of a chair leg between 60cms and 80cms. |

Used Codes

| | |
|-----|---|
| PAA | Alpha-numeric parameter (GS1 Permanent Code) An option of a Customer Specific Article which has a continuous alpha-numeric value, e.g., words and numbers to be embroidered into a cushion cover. |
| PAD | Promotional article description (GS1 Permanent Code) Description of a promotional article. |
| PAL | Pallet (GS1 Permanent Code) A unit load that could contain multiple packages. |
| PAS | Prepack assortment (GS1 Permanent Code) Contains multiple components, each of which represents a unique consumer unit item. |
| PIP | Packer or inner pack (GS1 Permanent Code) A logistical unit or a consumer unit between a case and a each. |
| PPK | Prepack (GS1 Permanent Code) Contains multiple components, each of which represents a unique consumer unit item. |
| PR1 | Bonus Pack (GS1 Permanent Code) The free quantity promotional trade item contains free additional quantities. The additional quantity is written on the package as free. |
| PR2 | Free components (GS1 Permanent Code) It contains free included components or material. The price is lower since the trade item includes a part of its content free. The free quantity is written on the package. |
| PR3 | Free quantity (GS1 Permanent Code) It contains free quantity, a "special offer" sticker on the package indicates the promotional offer but the free quantity is not written on the package. If the free quantity promotional offer results in a change of GTIN and the quantity of product is the same as the standard trade item, it qualifies as a free quantity promotional trade item. The linkage has to be provided. |
| PR4 | Multi-pack and combination pack (GS1 Permanent Code) It is a promotional grouping with included free quantity. The grouping is created for promotional activities only. In the grouping a part of the quantity is free. |
| PRO | Programme (GS1 Permanent Code) A programme within a Customer Specific Article which does not exist on its own. |
| PWP | Purchase with purchase (GS1 Permanent Code) A trade item sold to a consumer at a special price as part of a promotional event, contingent on the consumer purchasing another item or items. |
| RC | Returnable container (GS1 Permanent Code) The current product is not traditionally a traded product but one which should be returned according to separate instructions. |

Used Codes

| | |
|-----|--|
| RD | Refundable deposit item (GS1 Permanent Code) Item is subject to a refundable deposit. |
| RE | Retail product (GS1 Permanent Code) The current item is meant for retail sale only, and not for sale to hotels, restaurants and catering. |
| RPC | Reusable pool container (GS1 Permanent Code) Reusable container standardized by a pool cooperative. |
| SER | Service (GS1 Permanent Code) A code identifying the current item as a service (i.e. not a physical product). |
| SG | Standard group of products (mixed assortment) (GS1 Permanent Code) A standard package containing different products enabling the package to be ordered, delivered and invoiced. |
| SMR | Summer (GS1 Permanent Code) Summer season. |
| SPK | Setpack (GS1 Permanent Code) Contains multiple components, each of which represents a unique consumer unit item. |
| SPR | Spring (GS1 Permanent Code) Spring season. |
| SU | Smallest unit (GS1 Permanent Code) The smallest usable or tradeable size or unit for a given product. |
| TU | Traded unit (GS1 Permanent Code) The package size of a product or products which has been agreed by trading partners as the size which may be ordered, delivered and invoiced. |
| UNI | Unisex (GS1 Permanent Code) No gender. |
| VQ | Variable quantity product (GS1 Permanent Code) Product is used or traded in continuous rather than discrete quantities. |
| WNT | Winter (GS1 Permanent Code) Winter season. |
| XX1 | Count (GS1 Permanent Code) The measure applied to price is count. |
| XX2 | Area (GS1 Permanent Code) The measure applied to price is area. |
| XX3 | Weight (GS1 Permanent Code) The measure applied to price is weight. |
| XX4 | Volume (GS1 Permanent Code) The measure applied to price is volume. |

Used Codes

| | |
|-----|---|
| XX5 | Length (GS1 Permanent Code) The measure applied to price is length. |
| XX6 | Loose (GS1 Permanent Code) A trade item which is without packaging at the retail level. |
| XX7 | Pre-packed (GS1 Permanent Code) A variable-measure trade item which is provided with packaging that is assembled or produced by the supplier or by the retailer in advance of sale to the consumer. |
| XX8 | Fixed discount coupon on item price (GS1 Permanent Code) A discount coupon that can be redeemed at the point of sale for a fixed amount when purchasing a specific item/brand/range. |
| XX9 | Fixed discount coupon on purchase amount (GS1 Permanent Code) A discount coupon that can be redeemed at the point of sale for a fixed amount on the total amount of the purchase. |
| XY1 | Percentage discount on item price (GS1 Permanent Code) A discount coupon that can be redeemed at the point of sale for a percentage of the specific item/brand/range value. |
| XY2 | Percentage discount on purchase amount (GS1 Permanent Code) A discount coupon that can be redeemed at the point of sale for a percentage of the total amount of the purchase. |
| XY3 | Meal voucher (GS1 Permanent Code) Fixed amount voucher that can be redeemed at foodservice industry. |
| XY4 | Limited Edition (GS1 Permanent Code) A product with limited edition is restricted in the number of copies produced, although in fact the number may be very low or very high. A special edition implies there is extra material of some kind included. |
| XY5 | One Shot Product (GS1 Permanent Code) The trading partners agree to supply/buy this product only once. Afterwards this product will not be supplied/bought any more. |
| XY6 | Fee (GS1 Permanent Code) Code identify the GTIN of LIN segment as being fees. |
| XY7 | Brokerage (GS1 Permanent Code) Code identify the GTIN of LIN segment as being brokerages. |
| XY8 | Transport medium unit (GS1 Permanent Code) Code identify the position as a Transport Medium Unit (Pallet, Container, ...). |
| XY9 | Counted measurand factor (GS1 Permanent Code) Factor for price calculation of energy products, e.g. gas, fuel. |
| XZ1 | Standard condition conversion (GS1 Permanent Code) The ratio of a product volume (e.g. gas) in standard conditions to the volume in the operating state. |

Used Codes

| | |
|-------------|--|
| XZ2 | Calorific value (GS1 Permanent Code) The calorific value of a fuel indicates the amount of heat generated by the combustion and subsequent cooling of the combustion gases at 25 degrees Celsius. |
| XZ3 | Food contact allowed (GS1 Temporary Code) The trade item is allowed to have direct contact with food. |
| XZ4 | Food contact not allowed (GS1 Temporary Code) The trade item is not allowed to have direct contact with food. |
| A00 | No target consumer age (GS1 Germany) |
| A06 | Approved from, years (GS1 Germany) |
| A12 | Approved from 12 years (GS1 Germany) |
| A16 | Approved from 16 years (GS1 Germany) |
| A18 | Approved from 18 years (GS1 Germany) |
| BW | Fuel value (GS1_DE Code) |
| FA | Factor of counted measurand (GS1_DE Code) |
| GEB | Fees (GS1_DE-Code) |
| PRO | Brokerages (GS1_DE Code) |
| THM | Transport Medium Unit (Pallet, Container,) |
| XZ3 | Food contact allowed (GS1 Temporary Code) The trade item is allowed to have direct contact with food. |
| XZ4 | Food contact not allowed (GS1 Temporary Code) The trade item is not allowed to have direct contact with food. |
| ZU | Condition figure (GS1_DE Code) |
| 7037 | Characteristic description code A code specifying a characteristic. |
| MATERIAL | Material Information (GS1 Permanent Code) This element is used to specify the quality of material (fabric) of a trade item. |
| 7059 | Class type code Code specifying the type of class. |
| 11 | Product A class of characteristics describing a product. |

Used Codes

| | |
|-------------|---|
| 7065 | Package type description code Code specifying the type of package. |
| | Notes: 1. Recommend use UN/ECE Recommendation No. 21 (also, see current volume of UNTDED). |
| 43 | Bag, super bulk |
| 44 | Bag, polybag A type of plastic bag, typically used to wrap promotional pieces, publications, product samples, and/or catalogues. |
| 1A | Drum, steel |
| 1B | Drum, aluminium |
| 1D | Drum, plywood |
| 1F | Container, flexible A packaging container of flexible construction. |
| 1G | Drum, fibre |
| 1W | Drum, wooden |
| 2C | Barrel, wooden |
| 3A | Jerrican, steel |
| 3H | Jerrican, plastic |
| 4A | Box, steel |
| 4B | Box, aluminium |
| 4C | Box, natural wood |
| 4D | Box, plywood |
| 4F | Box, reconstituted wood |
| 4G | Box, fibreboard |
| 4H | Box, plastic |
| 5H | Bag, woven plastic |
| 5L | Bag, textile |
| 5M | Bag, paper |
| 6H | Composite packaging, plastic receptacle |
| 6P | Composite packaging, glass receptacle |
| 7A | Case, car A type of portable container designed to store equipment for carriage in an automobile. |

Used Codes

| | |
|----|---|
| 7B | Case, wooden A case made of wood for retaining substances or articles. |
| 8A | Pallet, wooden A platform or open-ended box, made of wood, on which goods are retained for ease of mechanical handling during transport and storage. |
| 8B | Crate, wooden A receptacle, made of wood, on which goods are retained for ease of mechanical handling during transport and storage. |
| 8C | Bundle, wooden Loose or unpacked pieces of wood tied or wrapped together. |
| AA | Intermediate bulk container, rigid plastic |
| AB | Receptacle, fibre |
| AC | Receptacle, paper |
| AD | Receptacle, wooden |
| AE | Aerosol |
| AF | Pallet, modular, collars 80cms × 60cms |
| AG | Pallet, shrinkwrapped |
| AH | Pallet, 100cms × 110cms |
| AI | Clamshell |
| AJ | Cone |
| AL | Ball A spherical containment vessel for retaining substances or articles. |
| AM | Ampoule, non-protected |
| AP | Ampoule, protected |
| AT | Atomizer |
| AV | Capsule |
| B4 | Belt A band use to retain multiple articles together. |
| BA | Barrel |
| BB | Bobbin |
| BC | Bottlecrate / bottlerack |
| BD | Board |
| BE | Bundle |
| BF | Balloon, non-protected |
| BG | Bag |

Used Codes

| | |
|----|---|
| BH | Bunch |
| BI | Bin |
| BJ | Bucket |
| BK | Basket |
| BL | Bale, compressed |
| BM | Basin |
| BN | Bale, non-compressed |
| BO | Bottle, non-protected, cylindrical |
| BP | Balloon, protected |
| BQ | Bottle, protected cylindrical |
| BR | Bar |
| BS | Bottle, non-protected, bulbous |
| BT | Bolt |
| BU | Butt |
| BV | Bottle, protected bulbous |
| BW | Box, for liquids |
| BX | Box |
| BY | Board, in bundle/bunch/truss |
| BZ | Bars, in bundle/bunch/truss |
| CA | Can, rectangular |
| CB | Crate, beer |
| CC | Churn |
| CD | Can, with handle and spout |
| CE | Creel |
| CF | Coffer |
| CG | Cage |
| CH | Chest |
| CI | Canister |
| CJ | Coffin |
| CK | Cask |
| CL | Coil |
| CM | Card |
| CN | Container, not otherwise specified as transport equipment |

Used Codes

| | |
|----|---|
| CO | Carboy, non-protected |
| CP | Carboy, protected |
| CQ | Cartridge |
| CR | Crate |
| CS | Case |
| CT | Carton |
| CU | Cup |
| CV | Cover |
| CW | Cage, roll |
| CX | Can, cylindrical |
| CY | Cylinder |
| CZ | Canvas |
| DA | Crate, multiple layer, plastic |
| DB | Crate, multiple layer, wooden |
| DC | Crate, multiple layer, cardboard |
| DG | Cage, Commonwealth Handling Equipment Pool (CHEP) |
| DH | Box, Commonwealth Handling Equipment Pool (CHEP), Eurobox |
| DI | Drum, iron |
| DJ | Demijohn, non-protected |
| DK | Crate, bulk, cardboard |
| DL | Crate, bulk, plastic |
| DM | Crate, bulk, wooden |
| DN | Dispenser |
| DP | Demijohn, protected |
| DR | Drum |
| DS | Tray, one layer no cover, plastic |
| DT | Tray, one layer no cover, wooden |
| DU | Tray, one layer no cover, polystyrene |
| DV | Tray, one layer no cover, cardboard |
| DW | Tray, two layers no cover, plastic tray |
| DX | Tray, two layers no cover, wooden |
| DY | Tray, two layers no cover, cardboard |
| EC | Bag, plastic |

Used Codes

| | |
|----|--|
| ED | Case, with pallet base |
| EE | Case, with pallet base, wooden |
| EF | Case, with pallet base, cardboard |
| EG | Case, with pallet base, plastic |
| EH | Case, with pallet base, metal |
| EI | Case, isothermic |
| EN | Envelope |
| FB | Flexibag A flexible containment bag made of plastic, typically for the transportation bulk non-hazardous cargoes using standard size shipping containers. |
| FC | Crate, fruit |
| FD | Crate, framed |
| FE | Flexitank A flexible containment tank made of plastic, typically for the transportation bulk non-hazardous cargoes using standard size shipping containers. |
| FI | Firkin |
| FL | Flask |
| FO | Footlocker |
| FP | Filmpack |
| FR | Frame |
| FT | Foodtainer |
| FW | Cart, flatbed Wheeled flat bedded device on which trays or other regular shaped items are packed for transportation purposes. |
| FX | Bag, flexible container |
| GB | Bottle, gas |
| GI | Girder |
| GL | Container, gallon A container with a capacity of one gallon. |
| GR | Receptacle, glass |
| GU | Tray, containing horizontally stacked flat items Tray containing flat items stacked on top of one another. |
| GY | Bag, gunny A sack made of gunny or burlap, used for transporting coarse commodities, such as grains, potatoes, and other agricultural products. |
| GZ | Girders, in bundle/bunch/truss |

Used Codes

| | |
|----|--|
| HA | Basket, with handle, plastic |
| HB | Basket, with handle, wooden |
| HC | Basket, with handle, cardboard |
| HG | Hogshead |
| HN | Hanger A purpose shaped device with a hook at the top for hanging items from a rail. |
| HR | Hamper |
| IA | Package, display, wooden |
| IB | Package, display, cardboard |
| IC | Package, display, plastic |
| ID | Package, display, metal |
| IE | Package, show |
| IF | Package, flow |
| IG | Package, paper wrapped |
| IH | Drum, plastic |
| IK | Package, cardboard, with bottle grip-holes |
| IL | Tray, rigid, lidded stackable (CEN TS 14482:2002) Lidded stackable rigid tray compliant with CEN TS 14482:2002. |
| IN | Ingot |
| IZ | Ingots, in bundle/bunch/truss |
| JB | Bag, jumbo A flexible containment bag, widely used for storage, transportation and handling of powder, flake or granular materials. Typically constructed from woven polypropylene (PP) fabric in the form of cubic bags. |
| JC | Jerrican, rectangular |
| JG | Jug |
| JR | Jar |
| JT | Jutebag |
| JY | Jerrican, cylindrical |
| KG | Keg |
| KI | Kit A set of articles or implements used for a specific purpose. |
| LE | Luggage A collection of bags, cases and/or containers which hold personal belongings for a journey. |

Used Codes

| | |
|----|--|
| LG | Log |
| LT | Lot |
| LU | Lug A wooden box for the transportation and storage of fruit or vegetables. |
| LV | Liftvan |
| LZ | Logs, in bundle/bunch/truss |
| MA | Crate, metal Containment box made of metal for retaining substances or articles. |
| MB | Bag, multiply |
| MC | Crate, milk |
| ME | Container, metal A type of containment box made of metal for retaining substances or articles, not otherwise specified as transport equipment. |
| MR | Receptacle, metal |
| MS | Sack, multi-wall |
| MT | Mat |
| MW | Receptacle, plastic wrapped |
| MX | Matchbox |
| NA | Not available |
| NE | Unpacked or unpackaged |
| NF | Unpacked or unpackaged, single unit |
| NG | Unpacked or unpackaged, multiple units |
| NS | Nest |
| NT | Net |
| NU | Net, tube, plastic |
| NV | Net, tube, textile |
| O1 | Two sided cage on wheels with fixing strap A two sided cage mounted on wheels with fixing strap. Dimensions: 900 x 770 x 1513 cm (length x width x height). |
| O2 | Trolley A low cart for the transportation and storage of groceries, milk, etc. |
| O3 | Oneway pallet ISO 0 - 1/2 EURO Pallet Oneway pallet with dimensions 80 X 60 cm. |
| O4 | Oneway pallet ISO 1 - 1/1 EURO Pallet Oneway pallet with dimensions 80 X 120 cm. |

Used Codes

| | |
|----|---|
| O5 | Oneway pallet ISO 2 - 2/1 EURO Pallet Oneway pallet with dimensions 100 X 120 cm. |
| O6 | Pallet with exceptional dimensions Pallet with non-standard dimensions. |
| OA | Pallet, CHEP 40 cm x 60 cm CHEP standard pallet of dimensions 40 centimeters x 60 centimeters. |
| OB | Pallet, CHEP 80 cm x 120 cm CHEP standard pallet of dimensions 80 centimeters x 120 centimeters. |
| OC | Pallet, CHEP 100 cm x 120 cm CHEP standard pallet of dimensions 100 centimeters x 120 centimeters. |
| OD | Pallet, AS 4068-1993 Australian standard pallet of dimensions 115.5 centimeters x 116.5 centimeters. |
| OE | Pallet, ISO T11 ISO standard pallet of dimensions 110 centimeters x 110 centimeters, prevalent in Asia - Pacific region. |
| OF | Platform, unspecified weight or dimension A pallet equivalent shipping platform of unknown dimensions or unknown weight. |
| OG | Pallet ISO 0 - 1/2 EURO Pallet Standard pallet with dimensions 80 X 60 cm. |
| OH | Pallet ISO 1 - 1/1 EURO Pallet Standard pallet with dimensions 80 X 120 cm. |
| OI | Pallet ISO 2 - 2/1 EURO Pallet Standard pallet with dimensions 100 X 120 cm. |
| OJ | 1/4 EURO Pallet Standard pallet with dimensions 60 X 40 cm. |
| OK | Block A solid piece of a hard substance, such as granite, having one or more flat sides. |
| OL | 1/8 EURO Pallet Standard pallet with dimensions 40 X 30 cm. |
| OM | Synthetic pallet ISO 1 A standard pallet with standard dimensions 80 x 120cm made of a synthetic material for hygienic reasons. |
| ON | Synthetic pallet ISO 2 A standard pallet with standard dimensions 100 x 120cm made of a synthetic material for hygienic reasons. |

Used Codes

| | |
|----|--|
| OP | Wholesaler pallet Pallet provided by the wholesaler. |
| OQ | Pallet 80 X 100 cm Pallet with dimensions 80 X 100 cm. |
| OR | Pallet 60 X 100 cm Pallet with dimensions 60 X 100 cm. |
| OS | Oneway pallet Pallet need not be returned to the point of expedition. |
| OT | Octabin A standard cardboard container of large dimensions for storing for example vegetables, granules of plastics or other dry products. |
| OU | Container, outer A type of containment box that serves as the outer shipping container, not otherwise specified as transport equipment. |
| OV | Returnable pallet Pallet must be returned to the point of expedition. |
| OW | Large bag, pallet sized A non-rigid container made of fabric, paper, plastic, etc, with an opening at the top which can be closed and which is suitable for use on pallets. |
| OX | A wheeled pallet with raised rim (81 x 67 x 135) A wheeled pallet with raised rim for the storing and transporting of loads. Dimensions: 81 x 67 x 135 cm (length x width x height). |
| OY | A wheeled pallet with raised rim (81 x 72 x 135) A wheeled pallet with raised rim for the storing and transporting of loads. Dimensions: 81 x 72 x 135 cm (length x width x height). |
| OZ | A wheeled pallet with raised rim (81 x 60 x 16) A wheeled pallet with raised rim for the storing and transporting of loads. Dimensions: 81 x 60 x 16 cm (length x width x height). |
| P2 | Pan A shallow, wide, open container, usually of metal. |
| PA | Packet |
| PB | Pallet, box |
| PC | Parcel |
| PD | Pallet, modular, collars 80cms * 100cms |
| PE | Pallet, modular, collars 80cms * 120cms |
| PF | Pen |
| PG | Plate |
| PH | Pitcher |

Used Codes

| | |
|----|--|
| PI | Pipe |
| PJ | Punnet |
| PK | Package |
| PL | Pail |
| PN | Plank |
| PO | Pouch |
| PP | Piece A loose or unpacked article. |
| PR | Receptacle, plastic |
| PT | Pot |
| PU | Tray pack |
| PV | Pipes, in bundle/bunch/truss |
| PX | Pallet |
| PY | Plates, in bundle/bunch/truss |
| PZ | Planks, in bundle/bunch/truss |
| QA | Drum, steel, non-removable head |
| QB | Drum, steel, removable head |
| QC | Drum, aluminium, non-removable head |
| QD | Drum, aluminium, removable head |
| QF | Drum, plastic, non-removable head |
| QG | Drum, plastic, removable head |
| QH | Barrel, wooden, bung type |
| QJ | Barrel, wooden, removable head |
| QK | Jerrican, steel, non-removable head |
| QL | Jerrican, steel, removable head |
| QM | Jerrican, plastic, non-removable head |
| QN | Jerrican, plastic, removable head |
| QP | Box, wooden, natural wood, ordinary |
| QQ | Box, wooden, natural wood, with sift proof walls |
| QR | Box, plastic, expanded |
| QS | Box, plastic, solid |
| RD | Rod |
| RG | Ring |

Used Codes

| | |
|----|--|
| RJ | Rack, clothing hanger |
| RK | Rack |
| RL | Reel |
| RO | Roll |
| RT | Rednet |
| RZ | Rods, in bundle/bunch/truss |
| SA | Sack |
| SB | Slab |
| SC | Crate, shallow |
| SD | Spindle |
| SE | Sea-chest |
| SH | Sachet |
| SI | Skid |
| SK | Case, skeleton |
| SL | Slipsheet |
| SM | Sheetmetal |
| SO | Spool |
| SP | Sheet, plastic wrapping |
| SS | Case, steel |
| ST | Sheet |
| SU | Suitcase |
| SV | Envelope, steel |
| SW | Shrinkwrapped |
| SY | Sleeve |
| SZ | Sheets, in bundle/bunch/truss |
| T1 | Tablet A loose or unpacked article in the form of a bar, block or piece. |
| TB | Tub |
| TC | Tea-chest |
| TD | Tube, collapsible |
| TE | Tyre A ring made of rubber and/or metal surrounding a wheel. |
| TG | Tank container, generic A specially constructed container for transporting liquids and gases in bulk. |

Used Codes

| | |
|----|--|
| TI | Tierce TI |
| TK | Tank, rectangular |
| TL | Tub, with lid |
| TN | Tin |
| TO | Tun |
| TR | Trunk |
| TS | Truss |
| TT | Bag, tote A capacious bag or basket. |
| TU | Tube |
| TV | Tube, with nozzle |
| TW | Pallet, triwall A lightweight pallet made from heavy duty corrugated board. |
| TY | Tank, cylindrical |
| TZ | Tubes, in bundle/bunch/truss |
| UC | Uncaged |
| UN | Unit A type of package composed of a single item or object, not otherwise specified as a unit of transport equipment. |
| VA | Vat |
| VG | Bulk, gas (at 1031 mbar and 15 degree C) |
| VI | Vial |
| VK | Vanpack |
| VL | Bulk, liquid |
| VN | Vehicle A self-propelled means of conveyance. |
| VO | Bulk, solid, large particles ("nodules") |
| VP | Vacuum-packed |
| VQ | Bulk, liquefied gas (at abnormal temperature/pressure) |
| VR | Bulk, solid, granular particles ("grains") |
| VS | Bulk, scrap metal Loose or unpacked scrap metal transported in bulk form. |
| VY | Bulk, solid, fine particles ("powders") |
| WA | Intermediate bulk container |
| WB | Wickerbottle |

Used Codes

| | |
|----|---|
| WC | Intermediate bulk container, steel |
| WD | Intermediate bulk container, aluminium |
| WF | Intermediate bulk container, metal |
| WG | Intermediate bulk container, steel, pressurised > 10 kpa |
| WH | Intermediate bulk container, aluminium, pressurised > 10 kpa |
| WJ | Intermediate bulk container, metal, pressure 10 kpa |
| WK | Intermediate bulk container, steel, liquid |
| WL | Intermediate bulk container, aluminium, liquid |
| WM | Intermediate bulk container, metal, liquid |
| WN | Intermediate bulk container, woven plastic, without coat/liner |
| WP | Intermediate bulk container, woven plastic, coated |
| WQ | Intermediate bulk container, woven plastic, with liner |
| WR | Intermediate bulk container, woven plastic, coated and liner |
| WS | Intermediate bulk container, plastic film |
| WT | Intermediate bulk container, textile with out coat/liner |
| WU | Intermediate bulk container, natural wood, with inner liner |
| WV | Intermediate bulk container, textile, coated |
| WW | Intermediate bulk container, textile, with liner |
| WX | Intermediate bulk container, textile, coated and liner |
| WY | Intermediate bulk container, plywood, with inner liner |
| WZ | Intermediate bulk container, reconstituted wood, with inner liner |
| XA | Bag, woven plastic, without inner coat/liner |
| XB | Bag, woven plastic, sift proof |
| XC | Bag, woven plastic, water resistant |
| XD | Bag, plastics film |
| XF | Bag, textile, without inner coat/liner |
| XG | Bag, textile, sift proof |
| XH | Bag, textile, water resistant |
| XJ | Bag, paper, multi-wall |
| XK | Bag, paper, multi-wall, water resistant |
| YA | Composite packaging, plastic receptacle in steel drum |
| YB | Composite packaging, plastic receptacle in steel crate box |
| YC | Composite packaging, plastic receptacle in aluminium drum |

Used Codes

| | |
|----|--|
| YD | Composite packaging, plastic receptacle in aluminium crate |
| YF | Composite packaging, plastic receptacle in wooden box |
| YG | Composite packaging, plastic receptacle in plywood drum |
| YH | Composite packaging, plastic receptacle in plywood box |
| YJ | Composite packaging, plastic receptacle in fibre drum |
| YK | Composite packaging, plastic receptacle in fibreboard box |
| YL | Composite packaging, plastic receptacle in plastic drum |
| YM | Composite packaging, plastic receptacle in solid plastic box |
| YN | Composite packaging, glass receptacle in steel drum |
| YP | Composite packaging, glass receptacle in steel crate box |
| YQ | Composite packaging, glass receptacle in aluminium drum |
| YR | Composite packaging, glass receptacle in aluminium crate |
| YS | Composite packaging, glass receptacle in wooden box |
| YT | Composite packaging, glass receptacle in plywood drum |
| YV | Composite packaging, glass receptacle in wickerwork hamper |
| YW | Composite packaging, glass receptacle in fibre drum |
| YX | Composite packaging, glass receptacle in fibreboard box |
| YY | Composite packaging, glass receptacle in expandable plastic pack |
| YZ | Composite packaging, glass receptacle in solid plastic pack |
| ZA | Intermediate bulk container, paper, multi-wall |
| ZB | Bag, large |
| ZC | Intermediate bulk container, paper, multi-wall, water resistant |
| ZD | Intermediate bulk container, rigid plastic, with structural equipment, solids |
| ZF | Intermediate bulk container, rigid plastic, freestanding, solids |
| ZG | Intermediate bulk container, rigid plastic, with structural equipment, pressurised |
| ZH | Intermediate bulk container, rigid plastic, freestanding, pressurised |
| ZJ | Intermediate bulk container, rigid plastic, with structural equipment, liquids |
| ZK | Intermediate bulk container, rigid plastic, freestanding, liquids |
| ZL | Intermediate bulk container, composite, rigid plastic, solids |
| ZM | Intermediate bulk container, composite, flexible plastic, solids |
| ZN | Intermediate bulk container, composite, rigid plastic, pressurised |
| ZP | Intermediate bulk container, composite, flexible plastic, pressurised |
| ZQ | Intermediate bulk container, composite, rigid plastic, liquids |

Used Codes

| | |
|-----|--|
| ZR | Intermediate bulk container, composite, flexible plastic, liquids |
| ZS | Intermediate bulk container, composite |
| ZT | Intermediate bulk container, fibreboard |
| ZU | Intermediate bulk container, flexible |
| ZV | Intermediate bulk container, metal, other than steel |
| ZW | Intermediate bulk container, natural wood |
| ZX | Intermediate bulk container, plywood |
| ZY | Intermediate bulk container, reconstituted wood |
| ZZ | Mutually defined |
| 08 | Oneway pallet (GS1 Temporary Code) Pallet need not be returned to the point of expedition. |
| 09 | Returnable pallet (GS1 Temporary Code) Pallet must be returned to the point of expedition. |
| 200 | Pallet ISO 0 - 1/2 EURO Pallet (GS1 Temporary Code) Standard pallet with dimensions 80 X 60 cm. |
| 201 | Pallet ISO 1 - 1/1 EURO Pallet (GS1 Temporary Code) Standard pallet with dimensions 80 X 120 cm. |
| 202 | Pallet ISO 2 (GS1 Temporary Code) Standard pallet with dimensions 100 X 120 cm. |
| 203 | 1/4 EURO Pallet (GS1 Temporary Code) Standard pallet with dimensions 60 X 40 cm. |
| 204 | 1/8 EURO Pallet (GS1 Temporary Code) Standard pallet with dimensions 40 X 30 cm. |
| 205 | Synthetic pallet ISO 1 (GS1 Temporary Code) A standard pallet with standard dimensions 80*120cm made of a synthetic material for hygienic reasons. |
| 206 | Synthetic pallet ISO 2 (GS1 Temporary Code) A standard pallet with standard dimensions 100*120cm made of a synthetic material for hygienic reasons. |
| 210 | Wholesaler pallet (GS1 Temporary Code) Pallet provided by the wholesaler. |
| 211 | Pallet 80 X 100 cm (GS1 Temporary Code) Pallet with dimensions 80 X 100 cm. |
| 212 | Pallet 60 X 100 cm (GS1 Temporary Code) Pallet with dimensions 60 X 100 cm. |

Used Codes

| | |
|-----|--|
| AH | Pallet 100cms * 110cms Standard sized pallet of dimensions 100centimeters by 110 centimeters (cms). EDIFACT |
| AI | Clamshell EDIFACT |
| APE | Aluminium packed (GS1 Temporary Code) Packaging using thin sheets of aluminium. |
| BGE | Large bag, pallet sized (GS1 Temporary Code) A non-rigid container made of fabric, paper, plastic, etc, with an opening at the top which can be closed and which is suitable for use on pallets. |
| BME | Blister pack (GS1 Temporary Code) A transparent strip package of pressable plastic which allows the product to be displayed while remaining protected. |
| BRI | Brick (GS1 Temporary Code) A box made of a cardboard, plastic or metal, used for liquids. |
| CBL | Container bottle like (GS1 Temporary Code) A non-protected, non-cylindrical, container with a narrow neck made usually of glass or plastic which is especially used for liquids, e.g. perfume bottle. |
| CCE | Cardboard carrier (GS1 Temporary Code) A package made of cardboard. |
| CM | Card A flat package usually made of fibreboard from/to which the product is often hung or attached. EDIFACT |
| E1 | Performance meat container E1 (GS1 Temporary Code) Standard performance meat container with dimensions 60 X 40 X 12,5 cm. |
| E2 | Performance meat container E2 (GS1 Temporary Code) Standard performance meat container with dimensions 60 X 40 X 20 cm. |
| E3 | Performance meat container E3 (GS1 Temporary Code) Standard performance meat container with dimensions 60 X 40 X 30 cm. |
| FOB | Folding box (GS1 Temporary Code) Folded cardboard box e.g for products like frozen vegetables, paper clips |
| FPE | Foil packed (GS1 Temporary Code) Packaging using a metallic foil. |
| LAB | Labeled package (GS1 Temporary Code) The package is labeled. Usually the label identifies the name, brand or description of the product within the package. |
| MPE | Multipack (GS1 Temporary Code) A container for the merchandising of multiple units of the same product. |

Used Codes

| | |
|-----|---|
| OPE | Oxygen packed (GS1 Temporary Code) A package with oxygen added for storage purposes. |
| PAE | Paper (GS1 Temporary Code) An indication that the item(s) is packed in paper. |
| PJ | Punnet EDIFACT |
| PLP | Peel pack (GS1 Temporary Code) A package used for sterile products which may be torn open without touching the product inside. |
| POP | Cone shaped paper wrapper (GS1 Temporary Code) Cone shaped paper wrapping e.g. for an individually packed ice cream cone. |
| PPE | Polypropylene bag (GS1 Temporary Code) A bag made from polypropylene. |
| PUE | Tray packed in plastic (GS1 Temporary Code) A board with a ring packed in plastic carrying for small articles. |
| RB3 | Wheeled pallet with raised rim. 81 x 60 x 16 cm (length x width x height). (GS1 Temporary Code) A wheeled pallet with raised rim for the storing and transporting of loads. Dimensions: 81 x 60 x 16 cm (length x width x height). |
| RCB | Two sided cage on wheels with fixing strap (GS1 Temporary Code) 900 x 770 x 1513 cm (length x width x height) A two sided cage mounted on wheels with fixing strap. Dimensions: 900 x 770 x 1513 cm (length x width x height). |
| S1 | GS1 SMART-Box Type E (GS1 Temporary Code) Standard reusable crate with dimensions 60 x 40 x 21,1 cm. |
| SEC | Article Surveillance (GS1 Temporary Code) Equipped with article surveillance. |
| SO | Spool Any cylindrical piece on which something is wound. |
| SP | Sheet, plastic wrapping EDIFACT |
| STL | Stick (GS1 Temporary Code) A container for dispensing solid substances, e.g. glue, deodorant. |
| T1 | Tablet A loose or unpacked article in the form of a bar, block or piece. EDIFACT |
| TEV | Tamper evident package (GS1 Temporary Code) A type of package giving easy or immediate recognition that the package has been tampered with after it has been sealed. |

Used Codes

| | |
|-------------|--|
| THE | Three pack (GS1 Temporary Code) A package containing three products. |
| TL | Tub, with lid EDIFACT |
| TRE | Trolley (GS1 Temporary Code) A low cart for the transportation and storage of groceries, milk, etc. |
| TTE | Tube, standing (GS1 Temporary Code) A screw-topped pliable cylinder capable of standing and suitable for holding pastes or semi-liquids, e.g. a tube of toothpaste. |
| TWE | Two pack (GS1 Temporary Code) A package containing two products. |
| UUE | Tube net (GS1 Temporary Code) A plastic or textile tube suitable for carrying loose products, e.g. fruit. |
| UVQ | Wrapped in plastic sheet (GS1 Temporary Code) An indication that the items have been wrapped in plastic sheet. |
| WRP | Wrapper (GS1 Temporary Code) Wrapping e.g. for an individually packed ice cream. |
| X11 | Banded package (GS1 Temporary Code) A package with bands, usually metal or nylon, round it to hold the products together. |
| X15 | Oneway pallet ISO 0 - 1/2 EURO Pallet (GS1 Temporary Code) Oneway pallet with dimensions 80 X 60 cm. |
| X16 | Oneway pallet ISO 1 - 1/1 EURO Pallet (GS1 Temporary Code) Oneway pallet with dimensions 80 X 120 cm. |
| X17 | Non-standard pallet (GS1 Temporary Code) Non-Standard pallet |
| X18 | Parcel with exceptional dimensions (GS1 Temporary Code) Parcel with non-standard dimensions. |
| X3 | Standard stack of stones (GS1 Temporary Code) Standard stack of stones. |
| 7075 | Packaging level code Code specifying a level of packaging. |
| 1 | Inner Level of packing, if it exists, that is immediately subordinate to the intermediate packaging level. |
| 2 | Intermediate Level of packaging, if it exists, that is immediately subordinate to the outer packaging level. |

Used Codes

| | |
|-------------|---|
| 3 | Outer For packed merchandise, outermost level of packaging for a shipment. |
| 4 | No packaging hierarchy There is no specifiable level of packaging: packaging is inner and outer level as well. |
| 5 | Shipment Level The packaging level described is the shipment level. |
| 1E | Highest (GS1 Temporary Code) Level of packaging, if it exists, which is highest in the packaging hierarchy. |
| 7077 | Description format code Code specifying the format of a description. |
| A | Free-form long description Long description of an item in free form. |
| B | Code and text Description of an item in coded and free form text. |
| C | Code (from industry code list) Description of an item in coded format. GS1 Description: Description of an item provided in coded format from an industry list. |
| D | Free-form price look up Price look-up description of a product for point of sale receipts. |
| E | Free-form short description Short description of an item in free form. |
| F | Free-form Description of an item in free form text. GS1 Description: Item related general free form text description, which is neither a short or long description of the item itself. |
| S | Structured (from industry code list) Description of an item in a structured format. |
| 7081 | Item characteristic code Code specifying the characteristic of an item. |
| 2 | General product form Description of general product form. |
| 3 | Ship to stock Product without quality control when received. |

Used Codes

| | |
|----|--|
| 4 | Finish Description of the finish required/available on the product. |
| 6 | Construction method Description of the method of construction. |
| 13 | Quality The degree of excellence of a thing. GS1 Description: Characteristics to be described refer to the quality of the item. |
| 27 | Material description Description of material used to manufacture a product. GS1 Description: Free text description of the materials of which the article is composed. |
| 31 | European Community risk class European community classification "CE" indicating the safety risk of an article. GS1 Description: European commission classification indicating the safety risk of an article (also called CE-mark or CE-risk class). |
| 35 | Colour Description of the colour required/available on the product. |
| 38 | Grade Specification of the grade required/available for the product. GS1 Description: Specification of the grade required/available for the product, e.g. the grade of fruit. |
| 44 | Further identifying characteristic Description of further identifying characteristic of a product which enables the product to be distinguished from any similar products. GS1 Description: Extra descriptive information in free text which makes it possible to distinguish almost, but not completely, similar articles. |
| 45 | Private label name Describes the private label name of a product. |
| 46 | Silhouette Describes the outline of the item. |
| 47 | Warranty type description The warranty type description of the item. |
| 48 | Yarn count Describes the fineness of the yarn in the cloth. GS1 Note: Replaces GS1 Temporary Code U07. EDIFACT |
| 61 | New article The characteristic of a new item or commodity. |

Used Codes

| | |
|-----|--|
| 72 | Vintage The harvest year of the grapes that are part of the composition of a particular wine. |
| 75 | Artist The performing artist(es) of a recorded song or piece of music. |
| 76 | Author The author of a written work. |
| 77 | Binding A description of the type of binding used for a written work. |
| 78 | Edition Description of the edition of a written work. |
| 79 | Other physical description Any other relevant physical description. |
| 80 | Publisher The publisher of a written piece of work as part of the item description. |
| 81 | Title The title of a work. |
| 82 | Series title Title of a series of works. |
| 83 | Volume title The title of a volume of work. |
| 84 | Composer The composer of a recorded song or piece of music. |
| 85 | Recording medium The medium on which a musical recording is made. |
| 86 | Music style The style of music. |
| 87 | Promotional event Describes the promotional event associated with a product. |
| 98 | Size Description of size in non-numeric terms. |
| 120 | Chemistry Code indicating the product's chemical characteristics. |
| 126 | Pattern Code indicating the product's pattern characteristics. |
| 132 | Fabric Code indicating the product's fabric characteristics. |

Used Codes

| | |
|-----|---|
| 169 | Market segment Code indicating the market segment associated with a product. |
| 171 | Physical form Code indicating the physical form of a product. |
| 196 | Additional sectorial characteristics A code issued on a sectorial basis which identifies any additional characteristics of a product. |
| 197 | Product data base management description A description indicating how a product should be managed in a data base. |
| 219 | Style A kind, sort, or type that distinguishes one commodity from another commodity with similar characteristics. GS1 Note: Replaces GS1 Temporary Code STE. EDIFACT |
| 223 | Brand name The brand name of an item. EDIFACT |
| ANM | Article name (GS1 Temporary Code) The name of the product. |
| AVI | Available for ordering (GS1 Temporary Code) Goods are available for ordering. |
| BPD | Publication date (GS1 Temporary Code) The publication date of a written work as an element of the description. |
| BVP | Volume or part number (GS1 Temporary Code) The volume or part number of a written work. |
| DSC | Description (GS1 Temporary Code) A non-structured description of a product. |
| ECO | ECO labelling description (GS1 Temporary Code) Description of ECO labelling. |
| EDS | Expiry date surpassed (GS1 Temporary Code) The expiry date for goods has been surpassed. |
| FGT | Fishing gear type (GS1 Permanent Code) Fishing gear type |
| FN | Functional Name (GS1 Temporary Code) Describes use of the product or service by the consumer. Should help clarify the product classification associated with the GTIN. |
| FPC | Fish presentation code (GS1 Permanent Code) Fish presentation code |

Used Codes

| | |
|-----|---|
| FQG | Fish quality grade (GS1 Permanent Code) Fish quality grade |
| FRZ | Freezing information (GS1 Permanent Code) Freezing information |
| FSS | Fish standardized size (GS1 Permanent Code) Fish standardized size |
| GDC | GIFAM fault code (GS1 Temporary Code) A code used in the white goods industry to identify faults. |
| GEO | Geographical area (GS1 Permanent Code) Relevant geographical area. |
| HAN | Handling instructions (GS1 Temporary Code) A code identifying a coded description of handling instructions. |
| HAZ | Hazardous material codes (GS1 Temporary Code) A code identifying a coded description of hazardous materials. |
| IDC | IRIS fault code (GS1 Temporary Code) A code used in the brown goods industry to identify faults. |
| IN | Invoice name (GS1 Temporary Code) Free form information provider assigned trade item description designed to match trade item/service description as noted on invoices. |
| IRC | IRIS repair code (GS1 Temporary Code) A code used in the brown goods industry to identify a repair required to correct a fault. |
| ISC | IRIS section code (GS1 Temporary Code) A code used in the brown goods industry to identify a section containing a fault. |
| ISY | IRIS symptom code (GS1 Temporary Code) A code used in the brown goods industry to identify a symptom of a fault. |
| KEY | Keyword (GS1 Temporary Code) A word which may used as a search key to select items from a product file. A keyword is usually a word which does not exist in the product description but may exist in information accompanying the product, e.g. Keyword = Absorbent, Product description = Gauze dressing, Product information = 1 Peelpack with 10 absorbent gauze dressings. |
| MNF | Manufacturer (GS1 Temporary Code) The name of the manufacturer of the product which is printed on the product packaging. |
| NAV | Not available for ordering (GS1 Temporary Code) Goods are not available for ordering. |

Used Codes

| | |
|-----|--|
| OFS | <p>Order Fulfilment Strategy (GS1 Temporary Code)</p> <p>The method used by the supplier to fulfil a customer order for a particular product. Three strategies are recognised: Make to Order, Make to Stock and Engineer to Order.</p> |
| PR | <p>Product Range (GS1 Temporary Code)</p> <p>A name, used by a BrandOwner, that span multiple consumer categories or uses. E.g. (Waist Watchers).</p> |
| PRO | <p>Production Method (GS1 Permanent Code)</p> <p>Production Method Characteristics.</p> |
| RLI | <p>Rolling instructions (GS1 Temporary Code)</p> <p>Instructions concerning the rolling of material, e.g. paper, plastic, carpet, etc.</p> |
| SB | <p>Subbrand (GS1 Temporary Code)</p> <p>Second level of brand. Can be a trademark. It is the primary differentiating factor that a brand owner wants to communicate to the consumer or buyer.</p> |
| SBN | <p>Primary differentiating factor that a brand owner wants to communicate (GS1 Temporary Code)</p> <p>Second level of brand. Can be a trademark. It is the primary differentiating factor that a brand owner wants to communicate to the consumer or buyer. E. g. Yummy-Cola Classic. In this example Yummy-Cola is the brand and Classic is the subBrand.</p> |
| SCT | <p>Scientific name (GS1 Permanent Code)</p> <p>The scientific name of a product.</p> |
| SDS | <p>Shelf description (GS1 Temporary Code)</p> <p>A description of the product for shelf edge labelling purposes.</p> |
| SGR | <p>Size grid (GS1 Temporary Code)</p> <p>Grid of sizes, containing for a certain type of size (e.g., womans, France, etc) each possible value of the size (e.g., 28, 30, 32, etc).</p> |
| STE | <p>Style (GS1 Temporary Code)</p> <p>A code identifying the style of a product.</p> <p>GS1 Note: Code marked for deletion. Use value 219 instead.</p> |
| TDS | <p>Technical description (GS1 Temporary Code)</p> <p>The technical description of a product.</p> |
| TPE | <p>Article type (GS1 Temporary Code)</p> <p>The article type allocated by the manufacturer to a product.</p> |
| U02 | <p>Fiber (GS1 Temporary Code)</p> <p>A code identifying the fiber contained in a cloth.</p> |
| U07 | <p>Yarn content (GS1 Temporary Code)</p> <p>A code indicating the yarn content of a fabric.</p> <p>GS1 Note: Code marked for deletion. Use value 48 instead.</p> |

Used Codes

| | |
|-----|--|
| U08 | Roll pattern out (GS1 Temporary Code) An instruction to roll the product with the pattern side facing out. |
| U09 | Roll pattern in (GS1 Temporary Code) An instruction to roll the product with the pattern side facing in. |
| UP2 | Packaging language (GS1 Temporary Code) Language used for package markings. |
| UP4 | Promotional free goods (GS1 Temporary Code) Free goods not associated to any other product given for promotional reasons. |
| UP5 | Width or fitting (GS1 Temporary Code) An indication of the width or fitting (e.g. wide, loose, etc.) of a shoe or textile product. |
| UP6 | Material shoe upper (GS1 Temporary Code) An indication of the material (e.g. leather, suede, canvas, etc.) used to construct a shoe upper. |
| UP7 | Material shoe sole (GS1 Temporary Code) An indication of the material (e.g. leather, rubber, etc.) used to construct the sole of a shoe. |
| UP8 | Material lining (GS1 Temporary Code) An indication of the lining (e.g. silk, leather, etc.) of a shoe or textile product. |
| UP9 | Shoe heel height (GS1 Temporary Code) An indication of the height of the heel of a shoe. |
| UQ1 | Base article exception rule (GS1 Temporary Code) An indication that what follows is a base article exception rule. |
| UQ2 | Orchestra (GS1 Temporary Code) The Orchestra of a recorded song or piece of music. |
| UQ3 | Conductor (GS1 Temporary Code) The conductor of a recorded song or piece of music. |
| UQ5 | Inspection agencies (GS1 Temporary Code) Characteristics to be described refer to inspection agencies controlling the item described. |
| UQ6 | Product without theft protection (GS1 Temporary Code) The product is not fitted with a protection against theft. |
| UQ7 | Product with theft protection, active (GS1 Temporary Code) The product is fitted with a protection against theft that has been activated. |
| UQ8 | Product with theft protection, inactive (GS1 Temporary Code) The product is fitted with a protection against theft that has not been activated. |

Used Codes

| | |
|-----|--|
| WVL | Weight or volume loss (GS1 Temporary Code) Goods have suffered a weight or volume loss. |
| XX1 | Collar Type (GS1 Temporary Code) Type of collar on the garment. |
| XX2 | Sleeve Type (GS1 Temporary Code) Type of sleeve on the garment. |
| XX3 | Clothing Cut (GS1 Temporary Code) Code identifying the clothing cut. |
| XX4 | Non marked trade item components (GS1 Temporary Code) Code identifying the of price by measure. |
| XX5 | Campaign name (GS1 Temporary Code) The type of a variable measure trade item. |
| XX6 | Season name (GS1 Temporary Code) Element defines the season applicable to the item. |
| XX7 | Season parameter (GS1 Temporary Code) Indication of the season, in which the trade item is available, i.e. assignment to one of the following collection periods: spring/summer, autumn/ winter or all year around. |
| XX8 | Target Consumer Age (GS1 Temporary Code) Identifies the target consumer age range for which a trade item has been designed. |
| XX9 | Target Consumer Gender (GS1 Temporary Code) Identifies the target consumer gender for which a product has been designed. |
| XY1 | Link to external description (GS1 Temporary Code) The link (e.g. URL) to the external description. |
| XY2 | Additional Trade Item Description (GS1 Temporary Code) Additional variants necessary to communicate to the industry to help define the product. Multiple variants can be established for each GTIN. This is a repeatable field, e.g. Style, Color, and Fragrance. |
| XY3 | Trade item group identification (GS1 Temporary Code) The text description of the value represented by the trade itemGroupIDCode. |
| XY4 | Price by measure type (GS1 Temporary Code) Code identifying the of price by measure. |
| XY5 | Variable trade item type (GS1 Temporary Code) The type of a variable measure trade item. |
| 1 | Certificate of conformity Product in conformity with specifications. |
| GEN | Gerne (GS1 Germany) |

Used Codes

| | |
|-------------|--|
| HRG | Issuer (GS1 Germany) |
| ILS | Illustrator (GS1 Germany) |
| ITP | Interpreter (GS1 Germany) |
| NAR | Speaker (GS1 Germany) |
| RGS | Director (GS1 Germany) |
| SSP | Actor (GS1 Germany) |
| SYS | Operating system (GS1 Germany) |
| TRA | Translator (GS1 Germany) |
| 7110 | Characteristic value description Free form description of the value of a characteristic. |
| RIGHTRET5 | FULL (GS1 Permanent Code) The return goods policy is Full. |
| RIGHTRET6 | PARTIAL (GS1 Permanent Code) The return goods policy is Partial. |
| 7111 | Characteristic value description code Code specifying the value of a characteristic. |
| 1 | Chest/bust width The measurement around the widest part of the chest/bust. EDIFACT |
| 2 | Hip width The measurement around the fullest part of the hips. EDIFACT |
| 3 | Outside leg length The measurement of the outside leg seam. This is the distance from the waist to the bottom of the trousers. EDIFACT |
| 39 | |
| 7143 | Item type identification code Coded identification of an item type. |
| AA | Product version number Number assigned by manufacturer or seller to identify the release of a product. |
| AC | HIBC (Health Industry Bar Code) Article identifier used within health sector to indicate data used conforms to HIBC. |

Used Codes

| | |
|-----|--|
| AQ | Coupon number GS1 Description: A number identifying a coupon which is attached to the identified product. |
| AT | Price look up number Identification number on a product allowing a quick electronic retrieval of price information for that product. |
| ATC | Therapeutic classification number (GS1 Temporary Code) A code to specify a product's therapeutic classification. |
| BAN | Base article node number (GS1 Temporary Code) A number which identifies a node within a base article configuration. |
| BB | Lot number A number indicating the lot number of a product. |
| BP | Buyer's part number Reference number assigned by the buyer to identify an article. GS1 Description: Reference number assigned by the buyer to identify an article. GS1 usage note: As the code values 'BP' and 'IN' are defined in the same way, it is recommended that the code value 'IN' be used to specify any article numbers assigned by the buyer. |
| BRI | Brick Code (GS1 Temporary Code) Global GS1 classification category code. Unique, permanent 10-digit key. |
| BU | Dye lot number Number identifying a dye lot. |
| BZ | Original equipment number Original equipment number allocated to spare parts by the manufacturer. |
| CG | Commodity grouping Code for a group of articles with common characteristics (e.g. used for statistical purposes). |
| DW | Drawing Reference number identifying a drawing of an article. |
| ECP | ECLASS property (GS1 Temporary Code) Unique code which identifies the ECLASS classification property. |
| ECV | ECLASS property value (GS1 Temporary Code) Value for a property according to the ECLASS classification. |
| EWC | European Waste Catalogue (GS1 Temporary Code) Waste type number according to the European Waste Catalogue (EWC). |
| FS | Fish species Identification of fish species. |

Used Codes

| | |
|-----|---|
| GAT | GPC Brick attribute type (GS1 Temporary Code) Unique 8 digit code which identifies the Global GS1 classification. |
| GAV | GPC brick attribute value (GS1 Temporary Code) Unique 8 digit code which identifies the Global GS1 classification attribute value |
| GB | Buyer's internal product group code Product group code used within a buyer's internal systems. |
| GD | Industry sector article group number/product classification code (GS1 Temporary Code) Sectoral product group or classification identification code. Administered by a sector specific agency. |
| GLN | Global Location Number (GS1 Temporary Code) Unique location number assigned by a Member Organisation of GS1. |
| GMN | Global Model Number The GMN is the GS1-identification key used to identify a product model or product family based on attributes common to the model or family as defined by industry or regulation. |
| GN | National product group code National product group code. Administered by a national agency. |
| GU | Supplier's internal article group number/product classification code (GS1 Temporary Code) Product group or classification identification code within a supplier's internal system. |
| HS | Harmonised system The item number is part of, or is generated in the context of the Harmonised Commodity Description and Coding System (Harmonised System), as developed and maintained by the World Customs Organization (WCO). |
| IB | ISBN (International Standard Book Number) Self explanatory. |
| IN | Buyer's item number The item number has been allocated by the buyer. |
| IS | ISSN (International Standard Serial Number) Self explanatory. |
| IT | Buyer's style number Number given by the buyer to a specific style or form of an article, especially used for garments. |
| LI | Line item number (GS1 Temporary Code) Number identifying a specific line within a document/message. |
| MF | Manufacturer's (producer's) article number The number given to an article by its manufacturer. |

Used Codes

| | |
|-----|--|
| MN | <p>Model number</p> <p>Reference number assigned by the manufacturer to differentiate variations in similar products in a class or group.</p> |
| NB | <p>Batch number</p> <p>The item number is a batch number.</p> <p>GS1 Description: Number supplementing the identification code of a product used to identify the specific production place and/or time of a product.</p> |
| PGC | <p>Price grouping code (GS1 Temporary Code)</p> <p>Number assigned to identify a grouping of products based on price.</p> |
| PV | <p>Promotional variant number</p> <p>The item number is a promotional variant number.</p> <p>GS1 Description: Number supplementing the identification code of a product and identifying that product as a variant of the standard product. To be used when the variation is not sufficiently significant to justify a change to the main identification code of the product.</p> |
| RVM | <p>Restricted circulation variable measure number (GS1 Temporary Code)</p> <p>A number assigned to identify a restricted circulation variable measure item.</p> |
| SA | <p>Supplier's article number</p> <p>Number assigned to an article by the supplier of that article.</p> |
| SN | <p>Serial number</p> <p>Identification number of an item which distinguishes this specific item out of a number of identical items.</p> |
| SPP | <p>Standard product also used in promotions (GS1 Temporary Code)</p> <p>Article number of a standard product which may temporarily also be used for promotional purposes, e.g. the physical product or price of the product does not change but a christmas tree is marked on the packaging to decorate the product for christmas.</p> |
| SRS | <p>RSK number</p> <p>Plumbing and heating.</p> |
| SRT | <p>IFLS (Institut Francais du Libre Service) 5 digit product classification code</p> <p>5 digit code for product classification managed by the Institut Francais du Libre Service.</p> |
| SRU | <p>IFLS (Institut Francais du Libre Service) 9 digit product classification code</p> <p>9 digit code for product classification managed by the Institut Francais du Libre Service.</p> |
| SRV | <p>GS1 Global Trade Item Number</p> <p>A unique number, up to 14-digits, assigned according to the numbering structure of the GS1 system. 'GS1' stands for the 'Global Standards One'.</p> |

Used Codes

| | |
|-----|---|
| SRX | Slaughter number Unique number given by a slaughterhouse to an animal or a group of animals of the same breed. EDIFACT |
| SSS | Distributor's article identifier Identifier assigned to an article by the distributor of that article. |
| SST | Norwegian Classification system ENVA Product classification system used in the Norwegian market. EDIFACT |
| SSU | Supplier assigned Product classification assigned by the supplier. EDIFACT |
| SSV | Mexican classification system AMECE Product classification system used in the Mexican market. EDIFACT |
| SSW | German classification system CCG Product classification system used in the German market. EDIFACT |
| SSX | Finnish classification system EANFIN Product classification system used in the Finnish market. EDIFACT |
| SSY | Canadian classification system ICC Product classification system used in the Canadian market. EDIFACT |
| SSZ | Dutch classification system CBL Product classification system used in the Dutch market. EDIFACT |
| ST | Style number Number given to a specific style or form of an article, especially used for garments. |
| STA | Dutch classification system CBL Product classification system used in the Dutch market. |
| STB | Japanese classification system JICFS Product Classification system used in the Japanese market. |
| STC | European Union dairy subsidy eligibility classification Category of product eligible for EU subsidy (applies for certain dairy products with specific level of fat content). |
| STD | GS1 Spain Classification Product classification system used in the Spanish Market. |

Used Codes

| | |
|-----|--|
| STE | GS1 Poland classification system Product classification system used in the Polish market. |
| STF | Federal Agency on Technical Regulating and Metrology of the Russian Federation A Russian government agency that serves as a national standardization body of the Russian Federation. |
| STG | Efficient Consumer Response (ECR) Austria classification system Product classification system used in the Austrian market. |
| STH | GS1 Italy classification system Product classification system used in the Italian market |
| STI | CPV (Common Procurement Vocabulary) Official classification system for public procurement in the European Union. |
| STJ | IFDA (International Foodservice Distributors Association) International Foodservice Distributors Association (IFDA). |
| STK | AHFS (American Hospital Formulary Service) pharmacologic therapeutic classification. Pharmacologic therapeutic classification maintained by the American Hospital Formulary Service (AHFS). |
| STL | ATC (Anatomical Therapeutic Chemical) classification system Anatomical Therapeutic Chemical classification system maintained by the World Health Organisation (WHO). |
| STM | CLADIMED (Classification des Dispositifs Médicaux) A five level classification system for medical devices maintained by the CLADIMED organisation used in the French market. |
| STN | CMDR (Canadian Medical Device Regulations) classification system Classification system related to the Canadian Medical Device Regulations maintained by Health Canada. |
| STO | CNDM (Classificazione Nazionale dei Dispositivi Medici) A classification system for medical devices used in the Italian market. |
| STP | UK DM&D (Dictionary of Medicines & Devices) standard coding scheme A classification system for medicines and devices use in the UK market. |
| STQ | ECLASS Standardized material and service classification and dictionary maintained by ECLASS e.V. |
| STR | EDMA (European Diagnostic Manufacturers Association) Products Classification Classification for in vitro diagnostics medical devices maintained by the European Diagnostic Manufacturers Association. |
| STS | EGAR (European Generic Article Register) A classification system for medical devices. |

Used Codes

| | |
|-----|---|
| STT | GMDN (Global Medical Devices Nomenclature) Nomenclature system for identification of medical devices officially approved by the European Union. |
| STU | GPI (Generic Product Identifier) A drug classification system managed by Medi-Span. |
| STV | HCPCS (Healthcare Common Procedure Coding System) A classification system used with US healthcar insurance programs. |
| STW | ICPS (International Classification for Patient Safety) A patient safety taxonomy maintained by the World Health Organisation. |
| STX | MedDRA (Medical Dictionary for Regulatory Activities) A medical dictionary maintained by the International Federation of Pharmaceutical Manufacturers and Associations (IFPMA). |
| STY | Medical Columbus Medical product classification system used in the German market. |
| STZ | NAPCS (North American Product Classification System) Product classification system used in the North American market. |
| SUA | NHS (National Health Services) eClass Product and Service classification system used in United Kingdom market. |
| SUB | US FDA (Food and Drug Administration) Product Code Classification Database US FDA Product Code Classification Database contains medical device names and associated information developed by the Center for Devices and Radiological Health (CDRH). |
| SUC | SNOMED CT (Systematized Nomenclature of Medicine-Clinical Terms) A medical nomenclature system developed between the NHS and the College of American Pathologists. |
| SUD | UMDNS (Universal Medical Device Nomenclature System) A standard international nomenclature and computer coding system for medical devices maintained by the Emergency Care Research Institute (ECRI). |
| SUE | GS1 Global Returnable Asset Identifier, non-serialised A unique, 13-digit number assigned according to the numbering structure of the GS1 system and used to identify a type of Reusable Transport Item (RTI). |
| SUF | IMEI The International Mobile Station Equipment Identity (IMEI) is a unique number to identify mobile phones. It includes the origin, model and serial number of the device. The structure is specified in 3GPP TS 23.003. |
| UA | Ultimate customer's article number Number assigned by ultimate customer to identify relevant article. |

Used Codes

| | |
|-------------|--|
| X10 | Lottery game number (GS1 Temporary Code) The number of a lottery game. |
| X11 | Lottery pack book number (GS1 Temporary Code) The number of a lottery pack book. |
| X12 | NABCA product code (GS1 Temporary Code) NABCA code identifying alcoholic beverage brands and sizes. |
| X13 | Waste type number (GS1 Temporary Code) Identification of the type of item number. Notes: User or association defined code. May be used in combination with 1131/3055. |
| X2 | Ear-tag number (GS1 Temporary Code) Unique number given by a national authority to identify an animal individually. |
| 7161 | Special service description code Code specifying a special service. |
| DI | Discount A reduction from a usual or list price. GS1 Description: A discount is a reduction in the price of an item offered on a one off basis. An important distinction to make between discount and an allowance offered is that an allowance is a reduction which is offered on a regular basis. |
| 7171 | Hierarchical structure relationship code Code specifying the relationship between the hierarchical object and an identified object. |
| 1 | Parent Identifies the immediate higher levelled hierarchy stage. GS1 Description: The identified product is a parent in a hierarchy. |
| 2 | Child Identifies the immediate lower levelled hierarchy stage. GS1 Description: The identified product is a child in a hierarchy. |
| 7173 | Hierarchy object code qualifier Code qualifying an object in a hierarchy. |
| 2 | Product Hierarchy applying to products. |
| 33 | Associated accessory The hierarchy applies to associated accessories. EDIFACT |

Used Codes

| | |
|-------------|---|
| PA | Party or location hierarchy link (GS1 Temporary Code) The link to the party or location hierarchy. |
| 7233 | Packaging related description code Code specifying information related to packaging. |
| 1 | Product ingredients not marked on package The ingredients of the product are not marked on the packaging of the product. |
| 2 | Product price not marked on packaging The product price is not marked on the packaging of the product. |
| 3 | Product best before date not marked on product package The product best before date is not marked on the packaging of the product. |
| 4 | Package not marked recyclable Package is not marked as recyclable. |
| 5 | Promotional details marked A code indicating that promotional details have been marked on the package. |
| 7 | Sell-by date marked on package The package is marked with the last date on which the item may be sold. |
| 8 | Use-by date marked on package The package is marked with the last date on which the item may be used. |
| 9 | Packaging / manufacturing date marked on package The package is marked with the date of the packaging or manufacturing of the item. |
| 10 | No freshness date marked on package Package is not marked with any kind of date indicating freshness, such as use-by, best before or packaging date. |
| 31 | Package best before date marked Package is marked with the product best before date. |
| 32 | Package marked recyclable The package is marked recyclable. |
| 33 | Package marked returnable The package is marked returnable. |
| 50 | Package barcoded EAN-13 or EAN-8 The package is barcoded with EAN-13 or EAN-8 code. |
| 51 | Package barcoded ITF-14 The package is barcoded with ITF-14 code. |
| 52 | Package barcoded UCC or EAN-128 The package is barcoded with UCC or EAN-128 code. |

Used Codes

| | |
|-----|--|
| 53 | Package price marked The package is marked with the price. |
| 54 | Product ingredients marked on package The ingredients of the product contained in a package are marked on that package. |
| 64 | Package never EPC tagged. The package will never be tagged with an EPC (Electronic Product Code) transponder. |
| 65 | Package sometimes EPC tagged The package will sometimes be tagged with an EPC (Electronic Product Code) transponder. |
| 78 | Package bar-coded and EPC tagged The package is bar-coded and tagged with an EPC (Electronic Product Code) transponder. |
| 79 | Package EPC tagged only The package is tagged with an EPC (Electronic Product Code) transponder only. |
| 80 | Marked with "display until date" Package is marked with the date by which the product should be removed from the display location. |
| 81 | Package marked with a variable measure barcode The package is marked with a variable measure barcode. |
| 82 | Package marked with fixed measure barcode The package is marked with a fixed measure barcode. |
| LAB | Labeled according to General GS1 Specifications for clothing and fashion accessories (GS1 Temporary Code) The item is labeled according to the General GS1 Specifications for clothing and fashion accessories. |
| NAB | Not labeled acc. to GS1 (GS1 Temporary Code) Specifications for clothes and fashion accessoires |
| NBR | Not barcoded (GS1 Temporary Code) The package is not barcoded. |
| RL1 | Peg hole round 1 (GS1 Temporary Code) The item's packaging has a round peg hole. (European norm DIN EN 13010:2003 (substitute for DIN 55512-1:1984-12)) |
| SL1 | Peg hole slot hole 1 (GS1 Temporary Code) The item's packaging has a slot peg hole of type 1. (European norm DIN EN 13010:2003 (substitute for DIN 55512-1:1984-12)) |
| SL3 | Peg hole slot hole 3 (GS1 Temporary Code) The item's packaging has a slot peg hole of type 3. (European norm DIN EN 13010:2003 (substitute for DIN 55512-1:1984-12)) |

Used Codes

| | |
|-----|---|
| X01 | Composite Component A (GS1 Temporary Code) Packaging marked with CC-A barcode. |
| X02 | Composite Component B (GS1 Temporary Code) Packaging marked with CC-B barcode. |
| X03 | Composite Component C (GS1 Temporary Code) Packaging marked with CC-C barcode. |
| X04 | RSS-14 (GS1 Temporary Code) Packaging marked with RSS-14 (GS1 DataBar) symbology. |
| X05 | RSS-14 Stacked (GS1 Temporary Code) Packaging marked with RSS-14 (GS1 DataBar) stacked symbology. |
| X06 | RSS-14 Staked omnidirectional (GS1 Temporary Code) Packaging marked with RSS-14 (GS1 DataBar) stacked omnidirectional symbology. |
| X07 | RSS-14 Truncated (GS1 Temporary Code) Packaging marked with RSS-14 (GS1 DataBar) truncated symbology. |
| X08 | RSS expanded (GS1 Temporary Code) Packaging marked with RSS (GS1 DataBar) expanded symbology. |
| X09 | RSS expanded truncated (GS1 Temporary Code) Packaging marked with RSS (GS1 DataBar) expanded truncated symbology. |
| X10 | RSS limited (GS1 Temporary Code) Packaging marked with RSS (GS1 DataBar) limited symbology. |
| X11 | UPC A symbol (GS1 Temporary Code) Packaging marked with UPC A symbol. |
| X12 | UPC E Symbol (GS1 Temporary Code) Packaging marked with UPC E symbol. |
| X13 | EANUCC 14 Symbol (GS1 Temporary Code) Packaging marked with EAN UCC 14 symbology. |
| X14 | Package not marked returnable (GS1 Temporary Code) Packaging marked with EAN UCC 14 symbology. |
| X15 | Gift wrapping (GS1 Temporary Code) Trade item is packaged in a gift wrapping. |
| X16 | Greeting card (GS1 Temporary Code) Trade item is accompanied by a greeting card. |

Example

UNA:+.?'

The UNA segment contains the default service string characters.

UNB+UNOC:3+4012345000009:14:4012345000018+4000004000002:14:4000004000009+101013:1043+4711+REF:AA++++EANCOM+1'

The EANCOM file 4711 dated 13.10.2010, 10 h 43 is sent by the issuer identified with GLN 4012345000009 to the receiver identified with GLN 4000004000002.

UNH+ME0001+PRICAT:D:01B:UN:EAN009'

The reference number of the PRICAT message is ME0001.

BGM+9::9+128576+9'

The document number is 128576.

DTM+137:20181209:102'

The message was created on 09.12.2018.

DTM+157:20180526:102'

The validity period starts with the 26th of May 2018 .

NAD+SU+4012345000009::9+ABC123'

The supplier/manufacturer is identified by Global Location Number (GLN) 4012345000009.

RFF+GN:HRB-471111'

German statements on business letters: HRB-471111

NAD+MR+4398765000004::9'

The price list is valid for the receiver with the Global Location Number (GLN) 4398765000004.

TAX+7+VAT+ABC123++:::19+S'

The VAT rate for the price list is 19%.

CUX+2:EUR:8'

The currency of the price list is EURO

PGI+11+BAG:BEISPIEL:91'

This example shows the grouping TB of the codelist "BEISPIEL" generated by the supplier.

ALC+A++++DI'

This segment announce a allowanc.

QTY+1:2'

The free quantity is 2.

RNG+1+H87:20:29'

The range is from 20 to 29 pieces.

PCD+12:5'

The allowance is 5%.

RNG+1+H87:20:29'

The range is from 20 to 29 pieces.

MOA+204:6'

The amount of allowance is 6 Euro.

RNG+1+AMT:20:29'

The range is from 20 to 29 pieces.

LIN+1+1+4000004000035:SRV'

The line item with number 1 is identified by GTIN 4000004000035.

Example**PIA+5+ABC5343:SA'**

Only if LIN does not provide GTIN: Article identification in PIA

PIA+1+7788:SA'

The product with GTIN 4056786542381 is additionally identified with suppliers article number 7788.

PIA+1+4012345123456:SRV'

GTIN 4012345123456

PIA+1+CH-5343:NB+XYZ987:HS+4012368259753:PV+ABC123:MN'

Batch number, Harmonized system, Promotional variant, model number

PIA+1+4711:GD:BOEV:9'

The article belongs to the class of goods "4711" according the classification system of MVB, Version 2.0

PIA+1+4711:GD:BTE:9'

The article belongs to the class of goods "4711" according the classification system of BTE

PIA+1+4711:GU::9'

The article belongs to the class of goods "4711" of the supplier.

PIA+3+4012345123456:SRV'

The replacement is identified by the GTIN = 4012345123456.

PIA+3+XYZ123:SA'

The replacement is identified by the number of the supplier XYZ123.

PIA+4+4012345123456:SRV'

The preceding article is identified by the GTIN 4012345123456.

PIA+4+XYZ123:SA'

The preceding article is identified by the number of the supplier XYZ123.

IMD+F+ANM::9+:::FASHION2009::DE'

Name of Artikel: Fashion2009

IMD+A+:::Fashion::DE'

Article long description: Fashion

IMD+D+ANM+:::FASHION2009::DE'

The short description is "Fashion2009 (e.g. sales slip)

IMD+F+223+:::CFB FASHION::DE'

The brand name is: CFB Fashion

IMD+F+XX5::9+:::Sommerschlussverkauf::DE'

Name of the campaign: Sommerschlussverkauf

IMD+A+TPE::9+:::Fashion::DE'

The model description is: Fashion

IMD+F+NAR:MEDIA:246+:::Rudi Rüssel::DE'

Narrator: Rudi Rüssel

IMD+B+35+Col3012::91:PINK::DE'

Colour: Pink (e.g. textile)

IMD+B+SGR::9+XXS::91:Extra small::DE'

Size: XXS

IMD+A+UP5::9+:::B'

Example

Cup B

IMD+C+XX8::9+A00::246'

The item contains a target consumer age.

IMD+C++ORU::9'

The article is an ordering unit.

IMD+C++DU::9'

The article is a despatch unit.

IMD+C++SU::9'

The article is the smallest unit.

IMD+C++CU::9'

The article is the consumer unit.

IMD+C++NOS::9'

The article is NOS.

IMD+C++SG::9'

Display, it is an assortment unit.

IMD+C+XX7::9+9991::9'

MEA+PD+HT+MMT:1050'

The height is 1050 mm

MEA+AAI+AAA+KGM:5'

The net weight is 5 kg.

MEA+AAI+AAB+KGM:5'

The gross weight is 5 kg.

QTY+53:20'

The smallest ordered quantity amounts to 20 pieces of the article no. described in the LIN segment. (GTIN).

QTY+251:20'

The subset quantity of the ordered article no. (GTIN) described in the LIN segment equals 20 pieces. Any higher multiple of 20 may be ordered.

ALI+++193'

Unsold trade items are not returnable.

ALI+++5'

Item concerned is not applicable for bonus calculation.

ALI+DE'

Country of origin is Germany.

ALI+++132'

Manual finishing is needed.

DTM+157:20190526:102'

The validity period starts with the 26th of May 2019 .

DTM+44:20191028:102'

The article is available from 28th October 2019.

DTM+382:20191028:102'

The earliest sale date is the 28 October 2019.

DTM+423:20191028:102'

Example

The earliest order date is the 28 October 2019.

DTM+63:20191028:102'

The latest delivery date is the 28 October 2019.

FTX+DEL+1+15:BOEV:246'

Reason for change is code 15.

CCI+++MATERIAL:::9'

CAV+39:GDSNMATERIALCODE:246:FLEECE'

In Kombination mit dem Beispiel im vorherigen CCI zeigt, dass der im Produkt verwendete Stoff aus Fleece ist.

MEA+SV+:3+P1:65'

This MEA segment indicates the measurements for the specification identified in the CCI and CAV segments. In this instance the ingredient fleece is 65% of the total ingredients for the product.

TAX+7+VAT+ABC123++:::19+S'

The VAT rate for the current line item is 19%.

PRI+AAA:9.98'

The net price is 9.98 EURO.

RNG+3+H87:20:29'

The price range is from 20 to 29 pieces.

PRI+AAB:9.98'

The gross price is 9.98 EURO.

PRI+AAE:19.98::RTP'

The fixed retail price per piece is 19.98 EURO incl. tax.

CUX+2:CHF:8'

The currency is Swiss Franc.

LOC+162+AT'

The location of sale is Austria

PRI+AAE:19.98::SRP'

The suggested retail price per piece is 19.98 EURO incl. tax.

CUX+2:CHF:8'

The currency is Swiss Franc.

LOC+162+AT'

The location of sale is Austria

PRI+AAE:19.98::DPR'

The reduced retail price per piece is 19.98 EURO incl. tax.

CUX+2:CHF:8'

The currency is Swiss Franc.

APR+++01:MEDIA:246'

DTM+194:20180518:102'

This example indicates the 18th of May 2018 as start date of the validity.

DTM+206:20180618:102'

This example indicates the 18th of June 2018 as end date of the validity.

LOC+162+AT'

Example

The location of sale is Austria

ALC+A++++DI'

This segment announce a allowanc.

QTY+1:2'

The free quantity is 2.

RNG+1+H87:20:29'

The range is from 20 to 29 pieces.

PCD+12:5'

The allowance is 5%.

RNG+1+H87:20:29'

The range is from 20 to 29 pieces.

MOA+204:6'

The amount of allowance is 6 Euro.

RNG+1+AMT:20:29'

The range is from 20 to 29 Euro.

PAC++:53'

The article is marked with a price.

PAC++:50'

The article is marked with a barcode.

PAC+++RJ::9'

The article is delivered hanging on racks.

PAC++1+RJ:SKB:246:4023330990014'

The article is packed on clothes hanger type 4023330990014 according SKRS recommendation.

EFI+EANCOM+html::3'

The object is a html file named EANCOM.

COM+www.gs1-germany.de:A0'

The adress in the internet is: www.gs1-germany.de

HYN+2+2++4012345123456:SRV'

This example indicates that the GTIN 4012345123456 of the HYN segment is a child in the product hierarchy to the GTIN identified in the LIN segment.

QTY+45E:20'

The quantity is 20 pieces.

UNT+99+ME0001'

Number of segments in the message.

UNZ+1+4711'

The transmission file contains 1 message.
